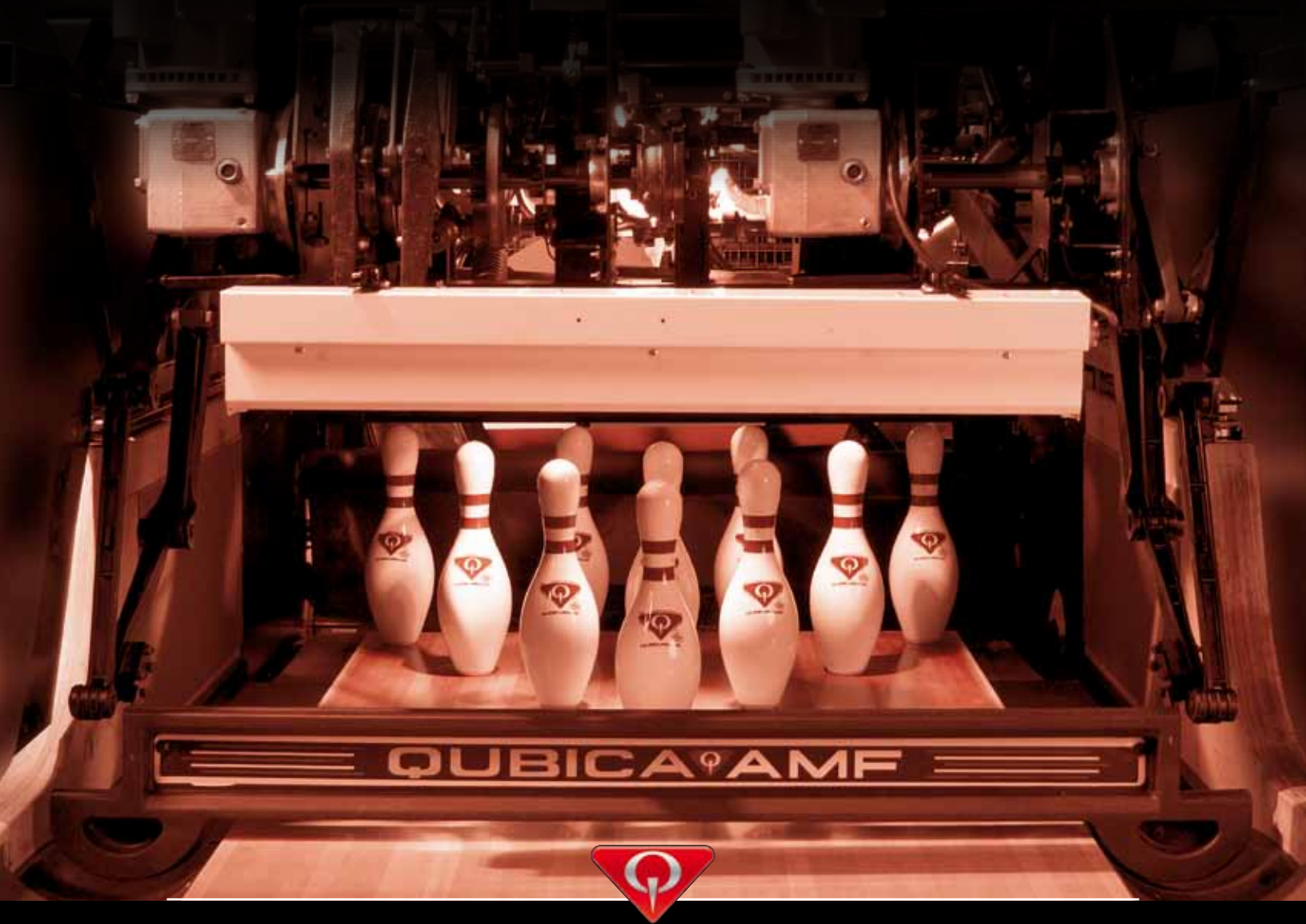


**QUBICA<sup>®</sup>AMF**

---



**XL & XLi PINSPOTTER  
REPLACEMENT PARTS**

# WHEN YOU BUY GENUINE AMF XL & XLi PARTS, YOU CAN BE 100% CERTAIN ABOUT EVERYTHING.

Choosing Genuine AMF XL & XLi replacement parts is choosing certainty over uncertainty.

- You can be certain we manufacture XL & XLi parts to original OEM quality
  - Genuine AMF parts are always compatible and always durable.
- You can be certain we have every XL & XLi part you might need
  - And that we'll have the part every time.
- You can be certain we'll fill your order – With a fill rate of 98%, we're the industry leader.
- With our 100% money back guarantee, you can be certain of satisfaction
  - We stand behind our parts – and you.

## TABLE OF CONTENTS

### FRONT END

|   |       |
|---|-------|
| Front End Frame & Platform Assembly, Right Hand Machine ..... | 6-7   |
| Front End Frame & Platform Assembly, Left Hand Machine .....  | 8-9   |
| Front End Electrical - XL .....                               | 10    |
| Front End Electrical - XLi .....                              | 11    |
| Dual Pit Light Assembly - XL .....                            | 12    |
| Dual Pit Light Assembly - XLi .....                           | 13    |
| Front End Drive .....   | 14    |
| Solenoid & Shuttle Operating Assembly .....                   | 15    |
| Table Drive Assembly .....                                    | 16    |
| XLi Motor Replacement Parts .....                             | 17    |
| Spot & Respot Linkages .....                                  | 18    |
| Sweep & Table Cam Switch Assembly .....                       | 19    |
| Sweep Arm Assembly .....                                      | 20    |
| Sweep Bar & Mounting Assembly .....                           | 21    |
| Table Assembly - Aluminum .....                               | 22-23 |
| Table & Crossbeam Assembly - Steel Table .....                | 24    |
| Table & Bracket Assembly .....                                | 25    |
| Table Torque Tube Assembly - Aluminum Table .....             | 26    |
| Table & Wireway Assembly - Aluminum Table .....               | 27    |
| Tie Rod Bracket Assembly .....                                | 28    |
| Tie Rod Assemblies .....                                      | 29    |
| Front Actuator & Connector Assemblies .....                   | 30    |
| Table & Respot Links .....                                    | 31    |
| Table & Respot Cells - Steel .....                            | 32    |
| Respot Cell Assembly - Aluminum Table .....                   | 33    |
| Respot Cell Assembly - Cells 1 Through 6 .....                | 34    |
| Respot Cell Assembly - Cells 7 Through 10 .....               | 35    |
| X-Frame to Table Connections .....                            | 36    |
| Yoke & Spotting Cup Assembly .....                            | 37    |

|   |       |
|---|-------|
| Bin Assembly - Steel .....              | 38-39 |
| Durabin .....                           | 40    |
| Shuttle Assembly .....                  | 41    |
| Distributor Drive Shaft - Early .....   | 42    |
| Distributor Drive Shaft - Current ..... | 43    |
| Distributor Assy 1 .....                | 44-45 |
| Distributor Assy 2 .....                | 46-47 |

### BACK END

|   |       |
|---|-------|
| Back End Assembly .....                                 | 50-51 |
| Kickback Plate Assembly - Ball Exit Side .....          | 52-53 |
| Kickback Plate Assembly - Opposite Ball Exit Side ..... | 54-55 |
| Bounce Plate & Roller Assembly .....                    | 56    |
| Carpet Belt Page .....                                  | 57    |
| Cushion And Shock Absorber Assembly .....               | 58-59 |
| Pin Elevator & Hoop Assembly .....                      | 60-61 |
| Back End Drive Motor & Bracket Assembly .....           | 62-63 |
| Chassis & Mounting Bracket Assembly .....               | 64-65 |
| Positive ball Lift (PBL) .....                          | 66-67 |
| PBL Light Ball Sensor Assembly .....                    | 68-69 |
| PBL Positive Ball Lift Assembly .....                   | 70-71 |
| PBL Belt Tightener Assembly .....                       | 72    |
| PBL Belt Tensioner Assembly .....                       | 73    |
| PBL Belt Tensioner Assembly - Old Style .....           | 74    |
| PBL Ratchet Drive Assembly .....                        | 75    |
| PBL Track Assembly .....                                | 76-77 |
| Gripper Kit .....                                       | 77    |

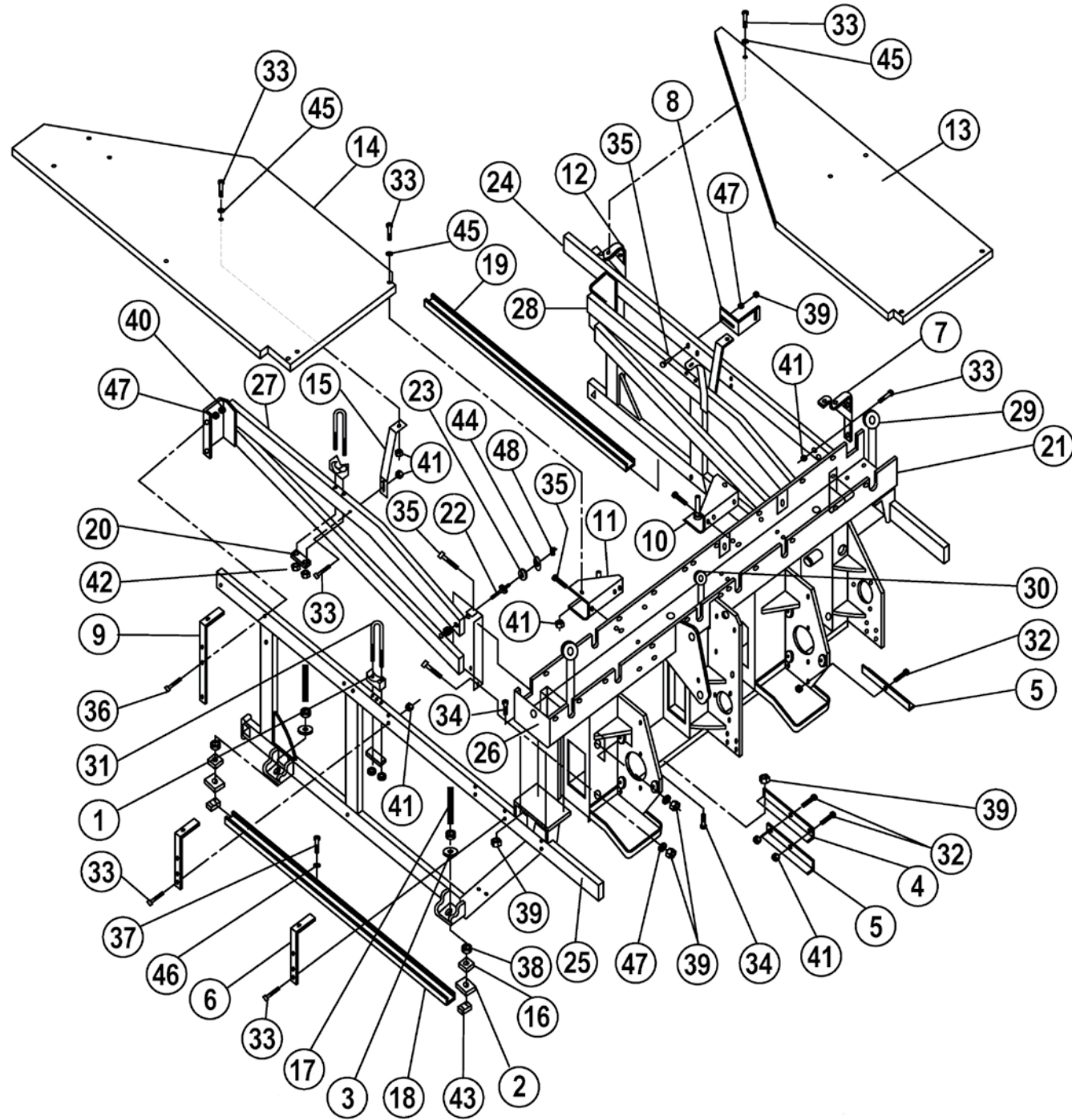
### GUARDS & SAFETY LABELS

|                              |       |
|------------------------------|-------|
| Guards & Safety Labels ..... | 80-81 |
| Foul Lights .....            | 82    |



**FRONT END**

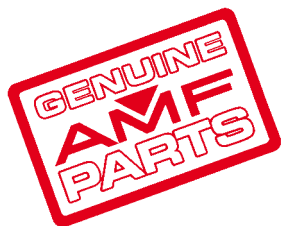
# FRONT END FRAME & PLATFORM ASSEMBLY, RIGHT HAND MACHINE



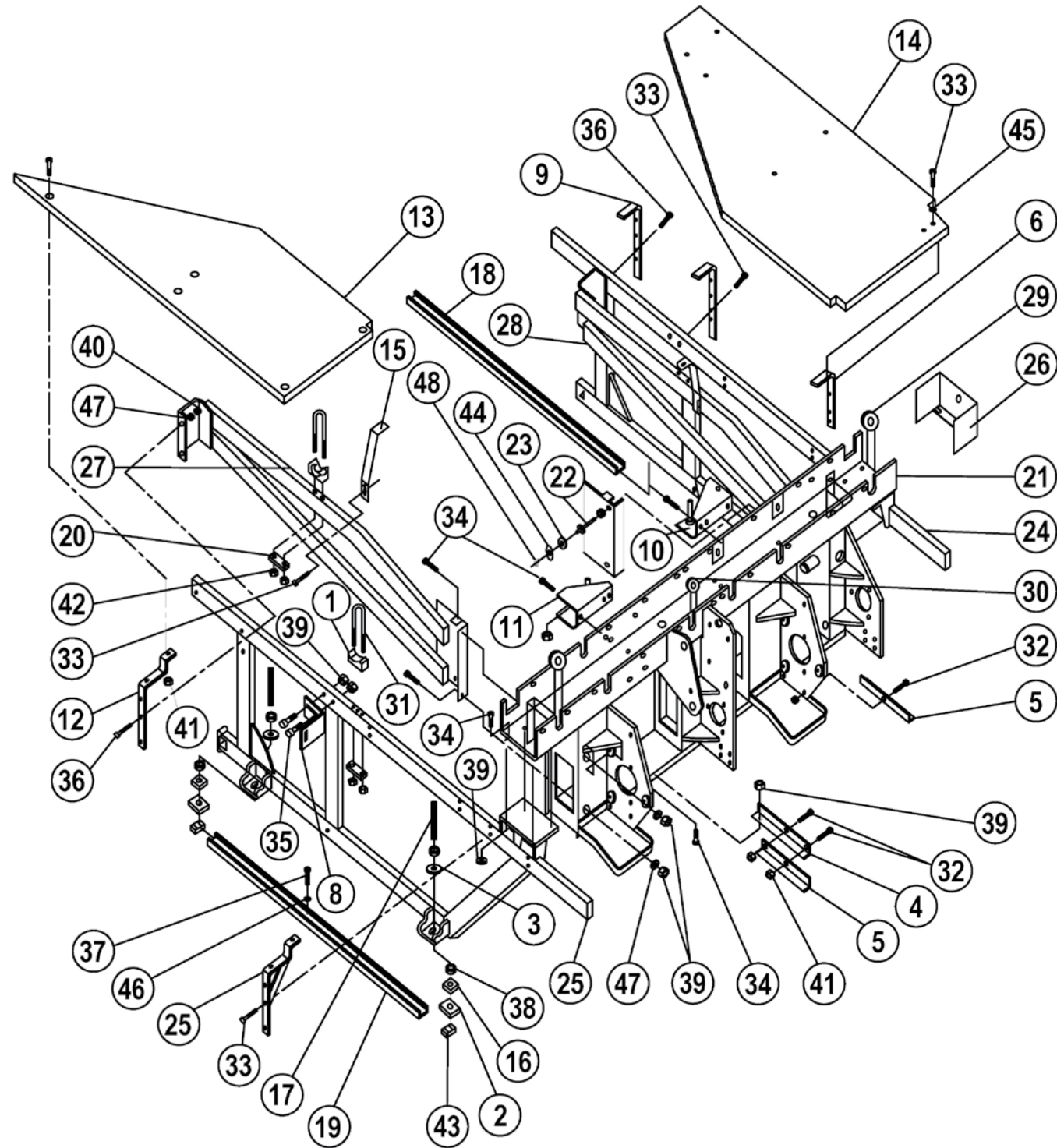
## FRONT END FRAME & PLATFORM ASSEMBLY, RIGHT HAND MACHINE

| ITEM | QTY | PART NUMBER | DESCRIPTION                                 |
|------|-----|-------------|---|
| 1    | 4   | 000 021 528 | Saddle                                      |
| 2    | 4   | 000 021 786 | Frame Adjustment Plate                      |
| 3    | 4   | 000 021 787 | Washer, 9/16 X 1 - 5/8 X 1/4, Black         |
| 4    | 1   | 070 001 596 | Angle Bracket                               |
| 5    | 2   | 070 001 698 | Pit Light Bracket                           |
| 6    | 2   | 070 001 817 | Platform Angle Weldment                     |
| 7    | 1   | 070 001 819 | Platform Support Weldment                   |
| 8    | 2   | 070 004 654 | Track Support Bracket                       |
| 9    | 1   | 070 006 405 | Angle Weldment                              |
| 10   | 1   | 070 006 411 | Bracket Weldment Bin Assembly, R.H. (10 PS) |
| 11   | 1   | 070 006 413 | Bracket Weldment Bin Assembly, L.H. (7 PS)  |
| 12   | 1   | 070 006 414 | Platform Support Bracket                    |
| 13   | 1   | 070 006 425 | Platform, R.H. (Odd 10 PS)                  |
| 14   | 1   | 070 006 426 | Platform, L.H. (Even 7 PS)                  |
| 15   | 3   | 070 006 490 | Platform Support Bracket                    |
| 16   | 4   | 070 007 509 | Elevating Nut                               |
| 17   | 4   | 070 007 510 | Elevating Setscrew                          |
| 18   | 1   | 070 007 843 | Unistrut, Long                              |
| 19   | 1   | 070 007 844 | Unistrut, Short                             |
| 20   | 4   | 070 008 126 | Clamp Bar                                   |
| 21   | 1   | 088 200 566 | Cross Beam Weldment                         |
| 22   | 4   | 090 002 028 | Pin Spring Roller                           |
| 23   | 4   | 090 003 795 | Counterbalance Spring Roller                |
| 24   | 1   | 090 004 002 | Side Frame, R.H. (Odd 10 PS)                |
| 25   | 1   | 090 004 006 | Side Frame, L.H. (Odd 7 PS)                 |
| 26   | 1   | 090 005 034 | End Plate                                   |
| 27   | 1   | 090 005 646 | Inner Side Brace L.H. (7 PS)                |
| 28   | 1   | 090 005 647 | Inner Side Brace R.H. (10 PS)               |
| 29   | 2   | 250 001 046 | Grommet, Large                              |
| 30   | 8   | 711 520 017 | Grommet, Small                              |
| 31   | 4   | 804 557 731 | U-Bolt, Sweep Mounting                      |
| 32   | 4   | 809 849 125 | Screw, Hex, 1/4 - 20 X 3/4                  |

| ITEM | QTY | PART NUMBER   | DESCRIPTION                                  |
|------|-----|---------------|--|
| 33   | 20  | 809 849 285BG | Screw, Hex, 1/4 - 20 X 1 - 3/4 Bag Of 10     |
| 34   | 18  | 809 865 165BG | Screw, Hex, 3/8 - 16 X 1 Bag Of 10           |
| 35   | 4   | 809 865 285   | Screw, Hex, 3/8 - 16 X 1-3/4                 |
| 36   | 4   | 809 865 325BG | Screw, Hex, 3/8 - 16 X 2, Bag Of 10          |
| 37   | 8   | 810 556 320   | Screw, Hex Lag, 5/16 X 2                     |
| 38   | 8   | 835 573 002BG | Nut, Hex Jam, 1/2 - 13 Bag Of 10             |
| 39   | 24  | 839 665 002BG | Nut, Hex Lock 3/8 - 16, Bag Of 10            |
| 40   | 1   | 840 065 002BG | Nut, Flex Lock, Thin, 3/8 - 16 Bag Of 10     |
| 41   | 14  | 844 049 002BG | Nut, Stover Lock, 1/4 - 20 Bag Of 10         |
| 42   | 8   | 844 057 002BG | Nut, Hex Lock, 5/16 - 18 Bag Of 10           |
| 43   | 4   | 853 500 001BG | Unistrut Nut, Bag Of 10                      |
| 44   | 1   | 945 867 242BG | Washer, 13/32 X 1 - 1/2 Bag Of 10            |
| 45   | 5   | 948 753 102BG | Washer, Flat, 5/8 X 9/32 X 1/16 Bag Of 10    |
| 46   | 8   | 948 761 112BG | Washer, Flat, 11/16 X 11/32 X 1/16 Bag Of 10 |
| 47   | 25  | 948 767 132BG | Washer, Flat, 13/16 X 13/32 X 1/16 Bag Of 10 |
| 48   | 1   | 963 400 002BG | X-Washer, Bag Of 10                          |



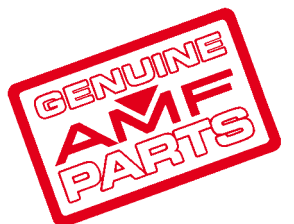
# FRONT END FRAME & PLATFORM ASSEMBLY, LEFT HAND MACHINE

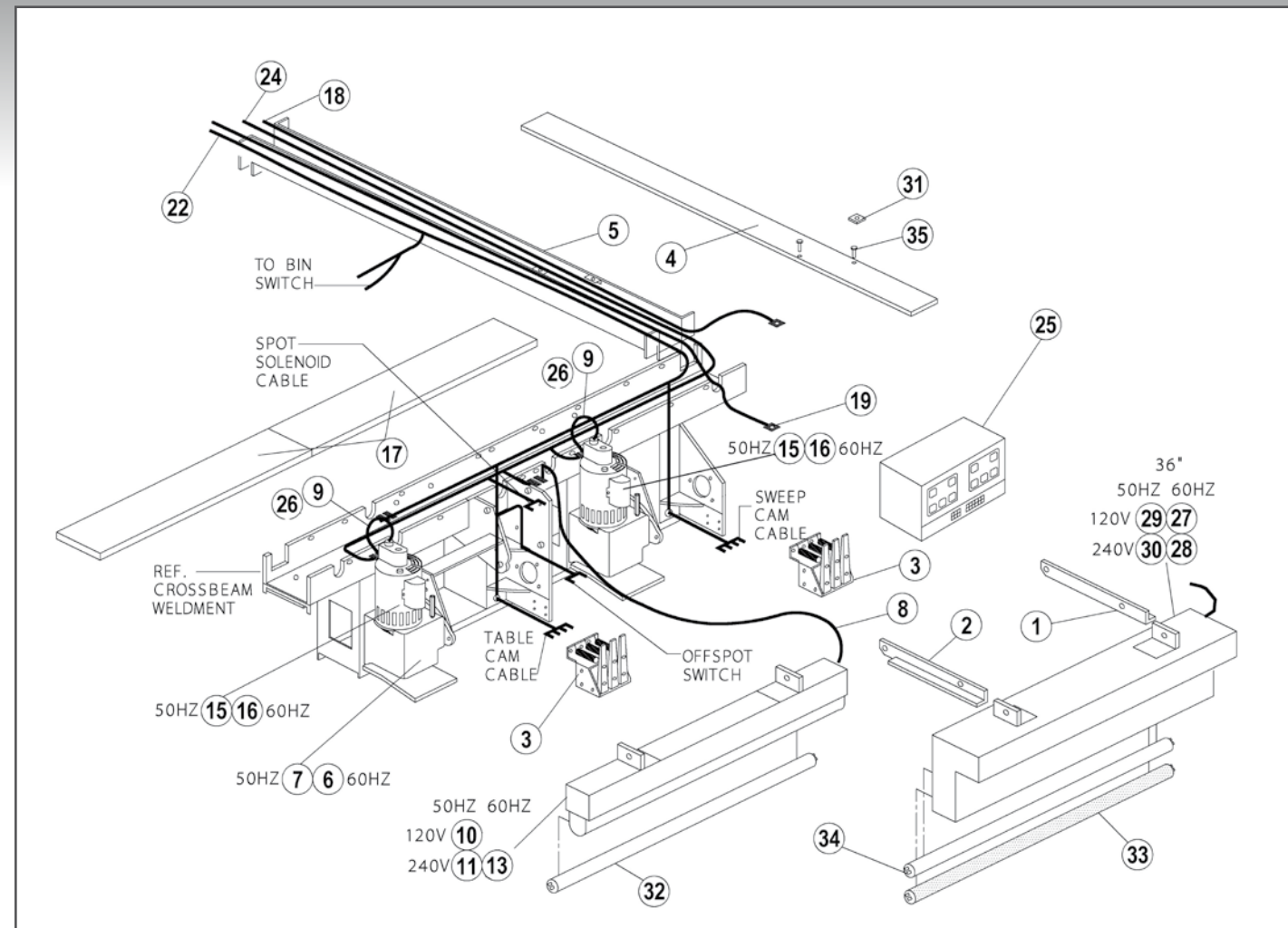


## FRONT END FRAME & PLATFORM ASSEMBLY, LEFT HAND MACHINE

| ITEM | QTY | PART NUMBER | DESCRIPTION                                  |
|------|-----|-------------|--|
| 1    | 4   | 000 021 528 | Saddle                                       |
| 2    | 4   | 000 021 786 | Frame Adjustment Plate                       |
| 3    | 4   | 000 021 787 | Washer, 9/16 X 1-5/8 X 1/4                   |
| 4    | 1   | 070 001 596 | Angle Bracket                                |
| 5    | 2   | 070 001 698 | Pit Light Bracket                            |
| 6    | 2   | 070 001 817 | Platform Angle Weldment                      |
| 7    | 1   | 070 001 819 | Platform Support Weldment                    |
| 8    | 2   | 070 004 654 | Track Support Bracket                        |
| 9    | 1   | 070 006 405 | Angle Weldment                               |
| 10   | 1   | 070 006 411 | Bracket Weldment, Bin Assembly, R.H. (10 PS) |
| 11   | 1   | 070 006 413 | Bracket Weldment, Bin Assembly, L.H. (7 PS)  |
| 12   | 1   | 070 006 414 | Platform Support Bracket                     |
| 13   | 1   | 070 006 425 | Platform, L.H. (Even 7 PS)                   |
| 14   | 1   | 070 006 426 | Platform, R.H. (Even 10 PS)                  |
| 15   | 3   | 070 006 490 | Platform Support Bracket                     |
| 16   | 4   | 070 007 509 | Elevating Nut                                |
| 17   | 4   | 070 007 510 | Elevating Setscrew                           |
| 18   | 1   | 070 007 843 | Unistrut, Long                               |
| 19   | 1   | 070 007 844 | Unistrut, Short                              |
| 20   | 4   | 070 008 126 | Clamp Bar                                    |
| 21   | 1   | 088 200 566 | Crossbeam Weldment                           |
| 22   | 4   | 090 002 028 | Pin Spring Roller                            |
| 23   | 4   | 090 003 795 | Counterbalance Spring Roller                 |
| 24   | 1   | 090 004 003 | Side Frame, R.H. (Even 10 PS)                |
| 25   | 1   | 090 004 006 | Side Frame, L.H. (Odd 7 PS)                  |
| 26   | 1   | 090 005 034 | End Plate                                    |
| 27   | 1   | 090 005 646 | Inner Side Brace, L.H. (7 PS)                |
| 28   | 1   | 090 005 647 | Inner Side Brace, R.H. (10 PS)               |
| 29   | 2   | 250 001 046 | Grommet, Large                               |
| 30   | 8   | 711 520 017 | Grommet, Small                               |
| 31   | 4   | 804 557 731 | U-Bolt, Sweep Mounting                       |
| 32   | 4   | 809 849 125 | Screw, Hex, 1/4 -20 X 3/4                    |

| ITEM | QTY | PART NUMBER   | DESCRIPTION                                     |
|------|-----|---------------|---|
| 33   | 20  | 809 849 285BG | Screw, Hex, 1/4 -20 X 1-3/4<br>Bag Of 10        |
| 34   | 18  | 809 865 165BG | Screw, Hex, 3/8 - 16 X 1<br>Bag Of 10           |
| 35   | 4   | 809 865 285   | Screw, Hex, 3/8 - 16 X 1-3/4                    |
| 36   | 6   | 809 865 325BG | Screw, Hex, 3/8 - 16 X 2<br>Bag Of 10           |
| 37   | 8   | 810 556 320   | Screw, Hex Lag, 5/16 X 2                        |
| 38   | 8   | 835 573 002BG | Nut, Hex Jam, 1/2 - 13<br>Bag Of 10             |
| 39   | 24  | 839 665 002BG | Nut, Stover Lock, 3/8 -16<br>Bag Of 10          |
| 40   | 4   | 840 065 002BG | Nut, Flex Lock, Thin, 3/8 - 16<br>Bag Of 10     |
| 41   | 14  | 844 049 002BG | Nut, Stover Lock, 1/4 - 20<br>Bag Of 10         |
| 42   | 8   | 844 057 002BG | Nut, Stover Lock, 5/16 - 18<br>Bag Of 10        |
| 43   | 4   | 853 500 001BG | Unistrut Nut, Bag Of 10                         |
| 44   | 4   | 945 867 242BG | Washer, 13/32 X 1-1/2<br>Bag Of 10              |
| 45   | 10  | 948 753 102BG | Washer, Flat, 5/8 X 9/32 X 1/16<br>Bag Of 10    |
| 46   | 8   | 948 761 112BG | Washer, Flat, 11/16 X 11/32 X 1/16<br>Bag Of 10 |
| 47   | 25  | 948 767 132BG | Washer, Flat, 13/16 X 13/32 X 1/16<br>Bag Of 10 |
| 48   | 4   | 963 400 002BG | X-Washer, Bag Of 10                             |

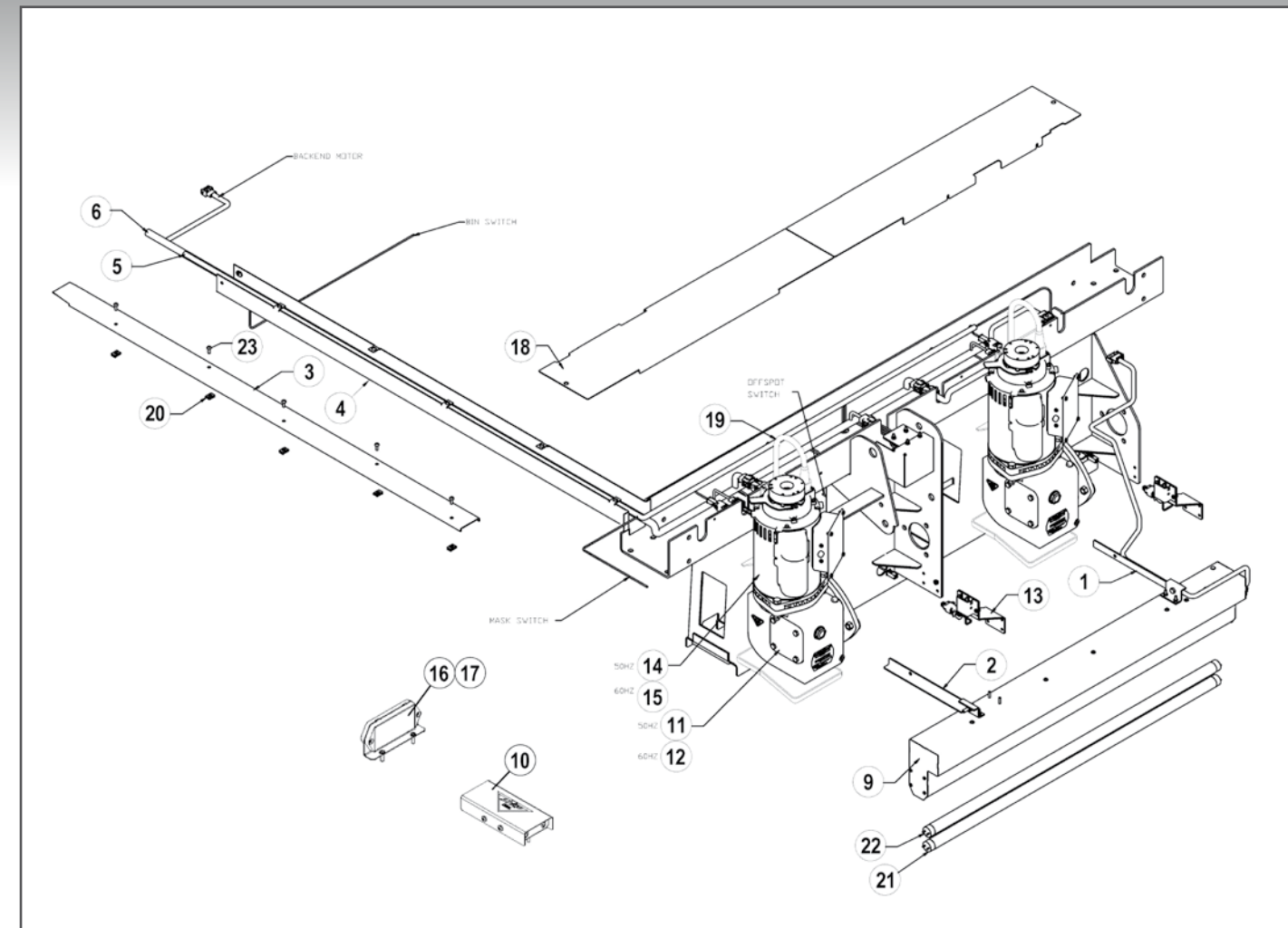




FRONT END ELECTRICAL, XL

| ITEM      | QTY | PART NUMBER | DESCRIPTION                             |
|-----------|-----|-------------|---|
| 1         | 1   | 070 001 907 | Pit Light Support Bracket, R.H. (10 PS) |
| 2         | 1   | 070 001 908 | Pit Light Support Bracket, L.H. (7 PS)  |
| 3         | 2   | 070 006 420 | Table & Sweep Cam Switch Assembly       |
| 4         | 1   | 070 007 747 | Wireway Cover                           |
| 5         | 1   | 070 007 748 | Front Wireway                           |
| 6         | 2   | 088 004 504 | Front End Gearbox, 60Hz                 |
| 7         | 2   | 088 004 509 | Front End Gearbox, 50Hz                 |
| 8         | 1   | 090 003 703 | Dual Pit Light Cable                    |
|           |     |             | Used On Items 10, 11, and 13            |
| 9         |     | 090 003 714 | Motor Cable Large Plug                  |
| 10        | 1   | 090 003 800 | Pit Light Assembly, 120V, 60 Hz         |
| 11        | 1   | 090 003 801 | Pit Light Assembly, 240V, 50 Hz         |
| 13        | 1   | 090 003 803 | Pit Light Assembly, 240V, 60 Hz         |
| 15        | 2   | 090 004 060 | Front End Motor, 50Hz                   |
| 16        | 2   | 090 004 062 | Front End Motor, 60Hz                   |
| 17        | 2   | 090 005 053 | Crossbeam Cover                         |
| 18        | 1   | 090 005 733 | Front End Cable                         |
| 19        | 1   | 090 005 734 | Strike/Foul Cable                       |
| Not Shown | 1   | 090 005 758 | Even Logic Cable - Not Shown            |
| 22        | 1   | 090 005 759 | Odd Logic Cable                         |
| Not Shown | 1   | 090 005 762 | Even Power Cable - Not Shown            |

| ITEM | QTY | PART NUMBER   | DESCRIPTION                                 |
|------|-----|---------------|---|
| 24   | 1   | 090 005 763   | Odd Power Cable                             |
| 25   | 1   | 090 005 827   | Front End Control Box (Universal)           |
| 26   | 2   | 090 005 876   | Motor Cable Small Plug                      |
| 27   | 1   | 090 008 017   | Dual Pit Light Assembly 36", 120V, 60Hz     |
| 28   | 1   | 090 008 032   | Dual Pit Light Assembly 36", 240V, 60Hz     |
| 29   | 1   | 090 008 034   | Dual Pit Light Assembly 36", 120V, 50Hz     |
| 30   | 1   | 090 008 065   | Dual Pit Light Assembly 36", 240V, 50Hz     |
| 31   | 5   | 724 511 074   | U-Nut, 10 - 32                              |
| 32   | 1   | 751 001 254   | Lamp, Daylight, F30t 12/Dir                 |
| 33   | 1   | 751 001 460   | Lamp, Black Light T8 36", 30W               |
| 34   | 1   | 751 001 466   | Lamp, Day Light T8 36", 30W                 |
| 35   | 5   | 812 840 082BG | Screw, Round Head, 10 - 32 X 1/2, Bag Of 10 |

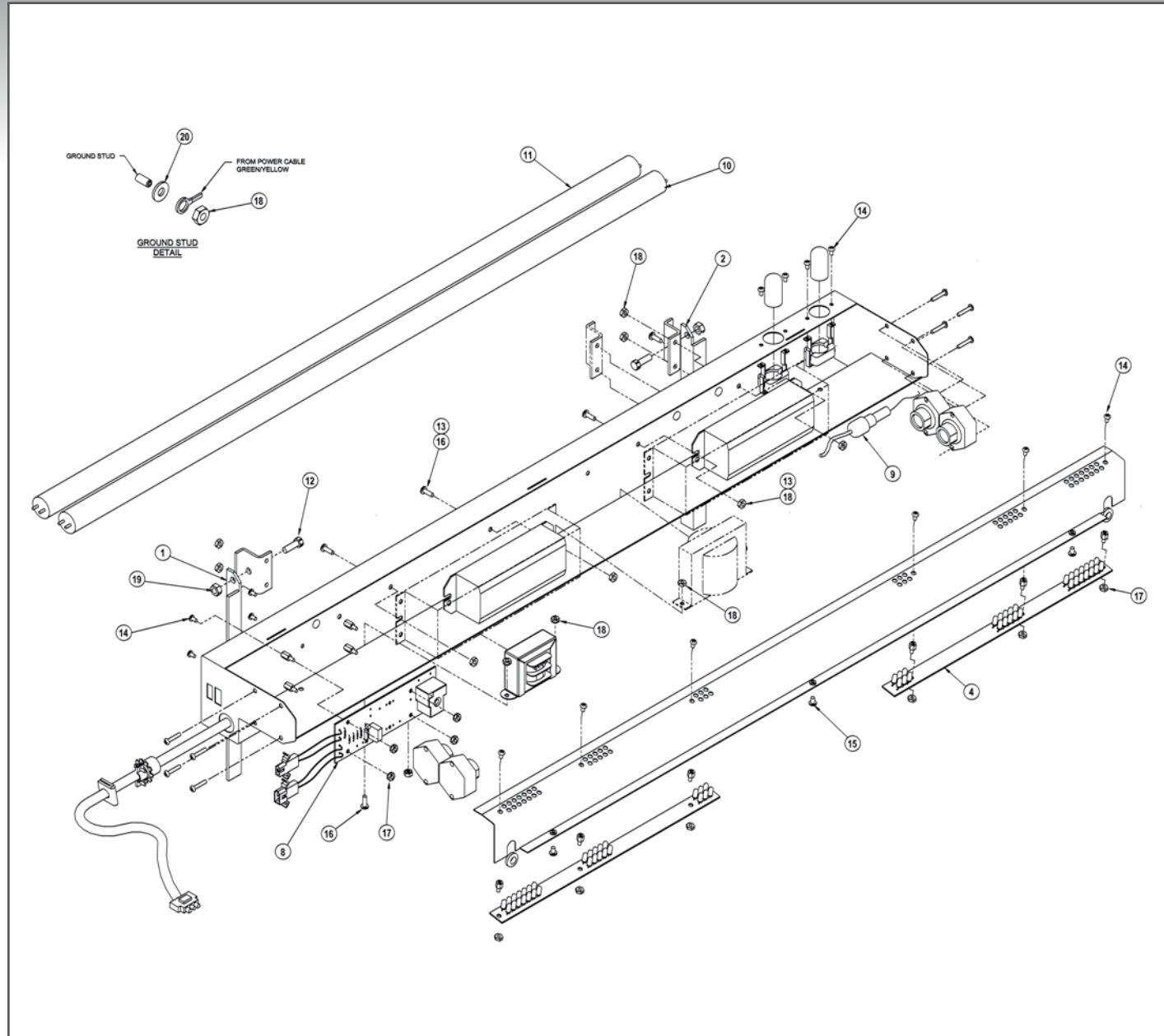


FRONT END ELECTRICAL, XLi

| ITEM      | QTY | PART NUMBER | DESCRIPTION                                       |
|-----------|-----|-------------|---|
| 1         | 1   | 070 001 907 | Pit Light Support Bracket, R.H. (10 PS)           |
| 2         | 1   | 070 001 908 | Pit Light Support Bracket, L.H. (7 PS)            |
| 3         | 1   | 070 007 747 | Wireway Cover                                     |
| 4         | 1   | 070 007 748 | Front Wireway                                     |
| 5         | 1   | 088 000 005 | Even Logic Cable                                  |
| 6         | 1   | 088 000 006 | Even Power Cable                                  |
| Not Shown | 1   | 088 000 007 | Odd Logic Cable - Not Shown                       |
| Not Shown | 1   | 088 000 008 | Odd Power Cable - Not Shown                       |
| 9         | 1   | 088 000 024 | Dual Pit Light Assembly, Dual Input               |
| 10        | 1   | 088 000 080 | Ball Detector Assembly                            |
| 11        | 2   | 088 004 509 | Front End Gearbox, 50Hz                           |
| 12        | 2   | 088 004 504 | Front End Gearbox, 60Hz                           |
| 13        | 2   | 088 000 107 | Home Assembly                                     |
| 14        | 2   | 088 000 145 | Front End Motor Assy, 50 Hz                       |
| 15        | 2   | 088 000 146 | Front End Motor Assy, 60 Hz                       |
| 16        | 2   | 088 000 189 | Reflector, XLi Ball Detector                      |
| 17        | 1   | 088 001 292 | Reflector Kit                                     |
| 18        | 2   | 090 005 053 | Includes 2 Reflectors And Bracket Crossbeam Cover |

| ITEM | QTY | PART NUMBER   | DESCRIPTION                                 |
|------|-----|---------------|---|
| 19   | 2   | 090 005 876   | Motor Cable                                 |
| 20   | 5   | 724 511 074   | U-Nut, 10 - 32                              |
| 21   | 1   | 751 001 460   | Lamp, Black Light T8 36", 30W               |
| 22   | 1   | 751 001 471   | Lamp, Day Light T8 36", 25W                 |
| 23   | 5   | 812 840 082BG | Screw, Round Head, 10 - 32 X 1/2, Bag Of 10 |

# DUAL PIT LIGHT ASSEMBLY XL

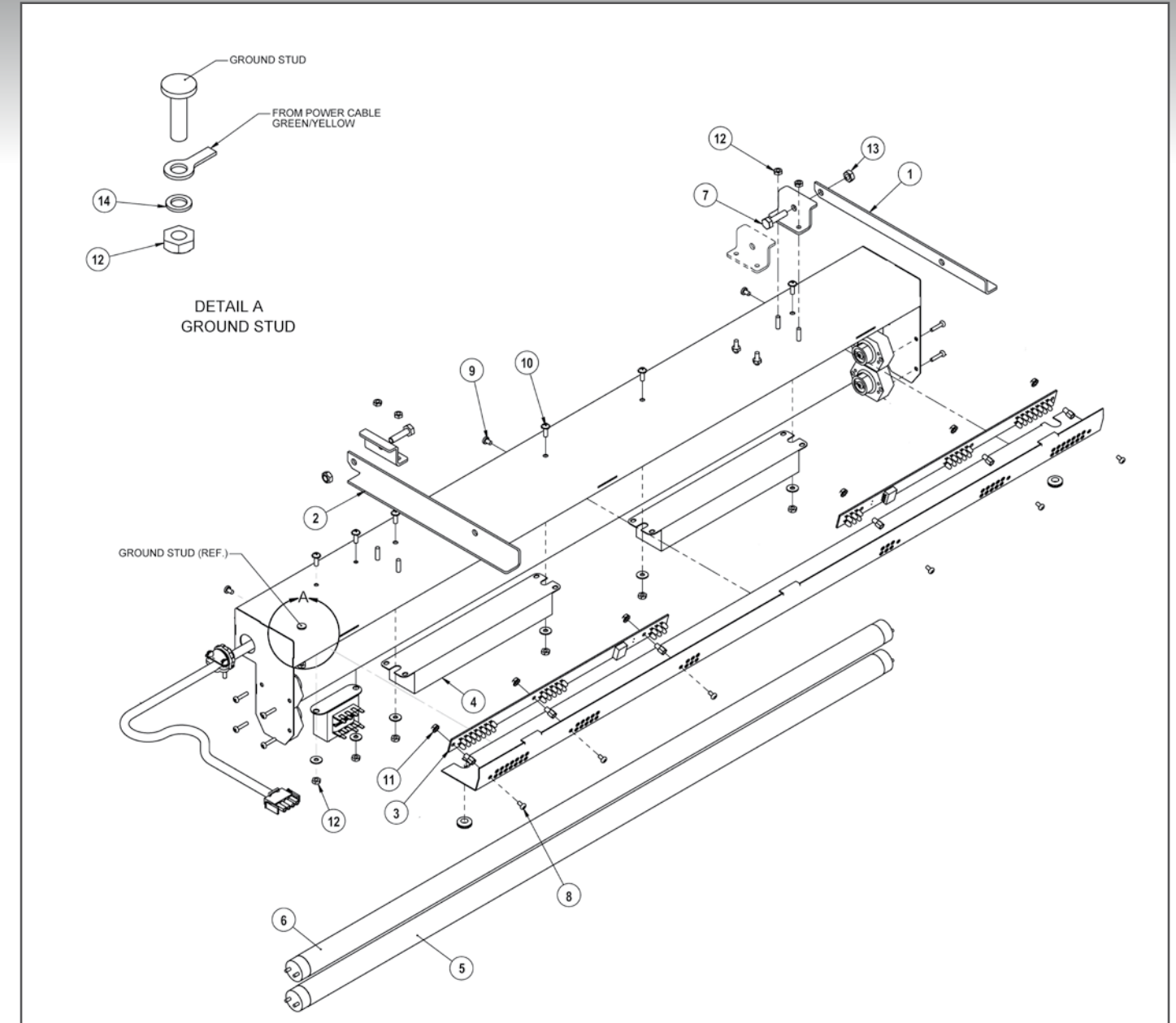


## DUAL PIT LIGHT ASSEMBLY XL

| ITEM | QTY | PART NUMBER   | DESCRIPTION                            |
|------|-----|---------------|--|
| 1    | 1   | 070 001 907   | Bracket                                |
| 2    | 1   | 070 001 908   | Bracket                                |
| Assy |     | 090 008 017   | Dual Pitlight, 36", 110V, 60 Hz        |
| 4    | 2   | 090 008 020   | Infrared Pin Deck Assy Board, Pitlight |
| Assy |     | 090 008 032   | Dual Pitlight, 36" 220V, 60 Hz         |
| Assy |     | 090 008 034   | Dual Pitlight, 36", 110V, 50 Hz        |
| Assy |     | 090 008 065   | Dual Pitlight, 36", 220V, 50 Hz        |
| 8    | 1   | 090 008 095   | Control Board Assy, Pitlight           |
| 9    | 1   | 748 561 111   | Fuse, 250V, 1A                         |
| 10   | 1   | 751 001 460   | Bulb, Black Light, 36", T8, 30W        |
| 11   | 1   | 751 001 466   | Bulb, Daylight, 36", T8, 30W           |
| 12   | 4   | 809 849 165BG | Screw, 1/4-20 X 1, Hex Hd<br>Bag Of 10 |

| ITEM | QTY | PART NUMBER   | DESCRIPTION                             |
|------|-----|---------------|---|
| 13   |     | 813 227 082BG | Screw, #6-32 X 1/2, Keps<br>Phil Pan Hd |
| 14   | 14  | 818 227 042   | Screw, #6-32 X 1/4<br>Phil Pan Hd       |
| 15   | 3   | 818 233 042   | Screw, #8-32 X 1/4, Self Tap, Pan Hd    |
| 16   |     | 818 233 082BG | Screw, #8-32 X 1/2, Phil Pan Hd         |
| 17   |     | 843 127 002BG | Nut, #6-32, Keps                        |
| 18   |     | 843 133 002BG | Nut, #8-32, Keps                        |
| 19   | 4   | 844 049 002BG | Nut, 1/4-20, Stover Lock<br>Bag Of 10   |
| 20   | 1   | 951 032 000   | Washer, #8, Split Lock                  |

# DUAL PIT LIGHT ASSEMBLY XLI

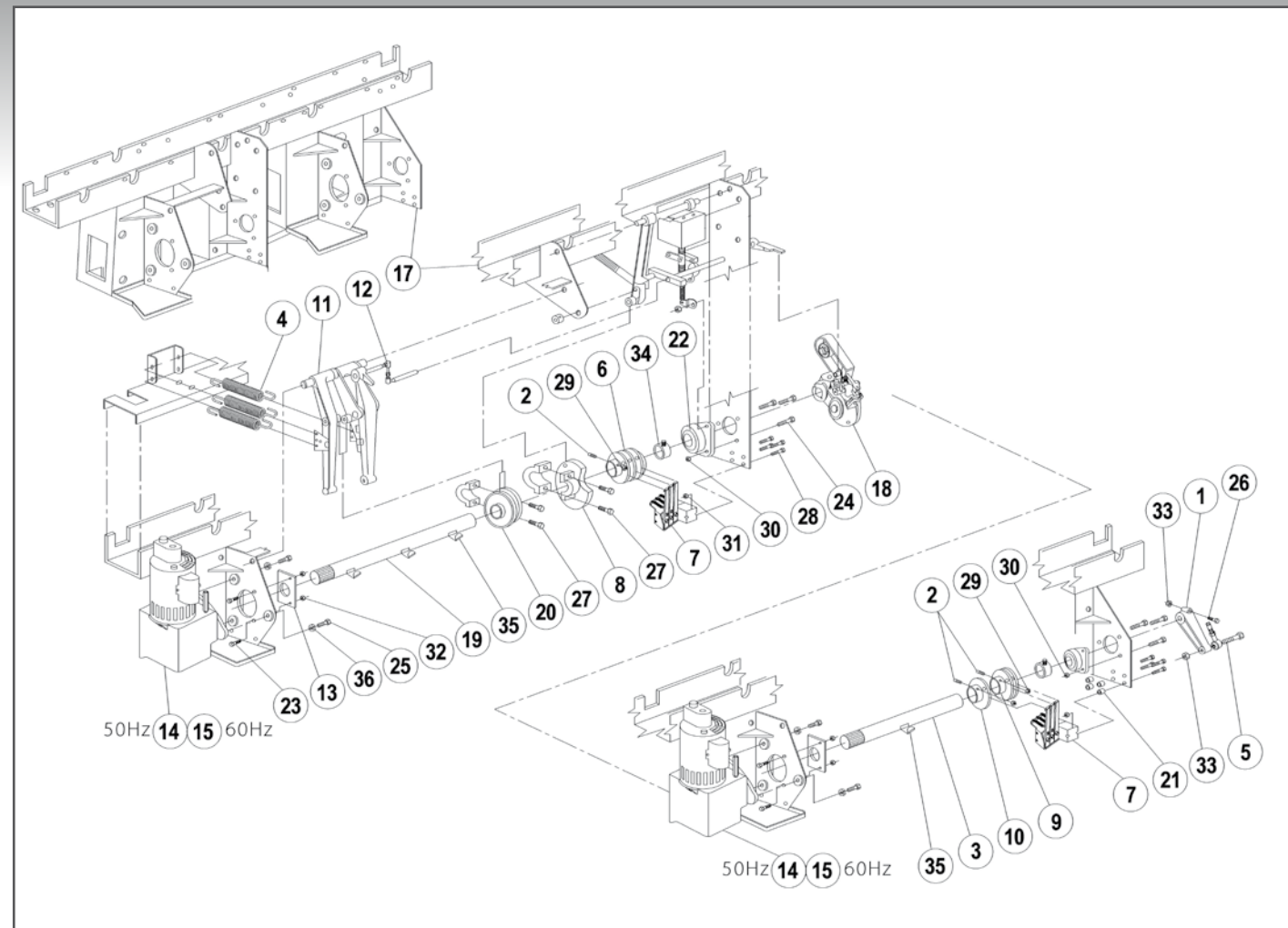


## DUAL PIT LIGHT ASSEMBLY XLI

| ITEM | QTY | PART NUMBER   | DESCRIPTION                                     |
|------|-----|---------------|---|
| 1    | 1   | 070 001 907   | Pit Light Mounting Bracket, Rh<br>(10 Pin Side) |
| 2    | 1   | 070 001 908   | Pit Light Mounting Bracket, Lh<br>(7 Pin Side)  |
|      |     | 088-000-024   | Dual Pit Light Assy                             |
| 3    | 2   | 090 008 020   | Infrared Pin Deck Lamp Assy                     |
| 4    | 2   | 740 501 017   | Ballast, 110-277V, 50/60 Hz                     |
| 5    | 1   | 751 001 460   | Bulb, Blacklight, 36", F30t8                    |
| 6    | 1   | 751 001 471   | Bulb, Daylight, 36", F25t8                      |
| 7    | 2   | 809 849 165BG | Screw, Hex Hd, 1/4-20 X 1<br>Bag Of 10          |
| 8    | 6   | 818 227 042   | Screw, Phil, Pan Hd, #6-32 X 1/4                |

| ITEM | QTY | PART NUMBER   | DESCRIPTION  |
|------|-----|---------------|--|
| 9    | 3   | 818 233 042   | Screw, #8-32 X 1/4, Phil Pan Hd                    |
| 10   | 6   | 818 233 082BG | Screw, Phil Pan Hd, Sems, #8-32 X 1/2<br>Bag Of 10 |
| 11   | 6   | 843 127 002BG | Nut, #6-32, Keps<br>Bag Of 10                      |
| 12   | 13  | 843 133 002BG | Nut, #8-32, Keps<br>Bag Of 10                      |
| 13   | 2   | 844 049 002BG | Nut, 1/4-20, Stover Lock<br>Bag Of 10              |
| 14   | 1   | 951 032 000   | Washer, #8, Split Lock                             |

# FRONT END DRIVE

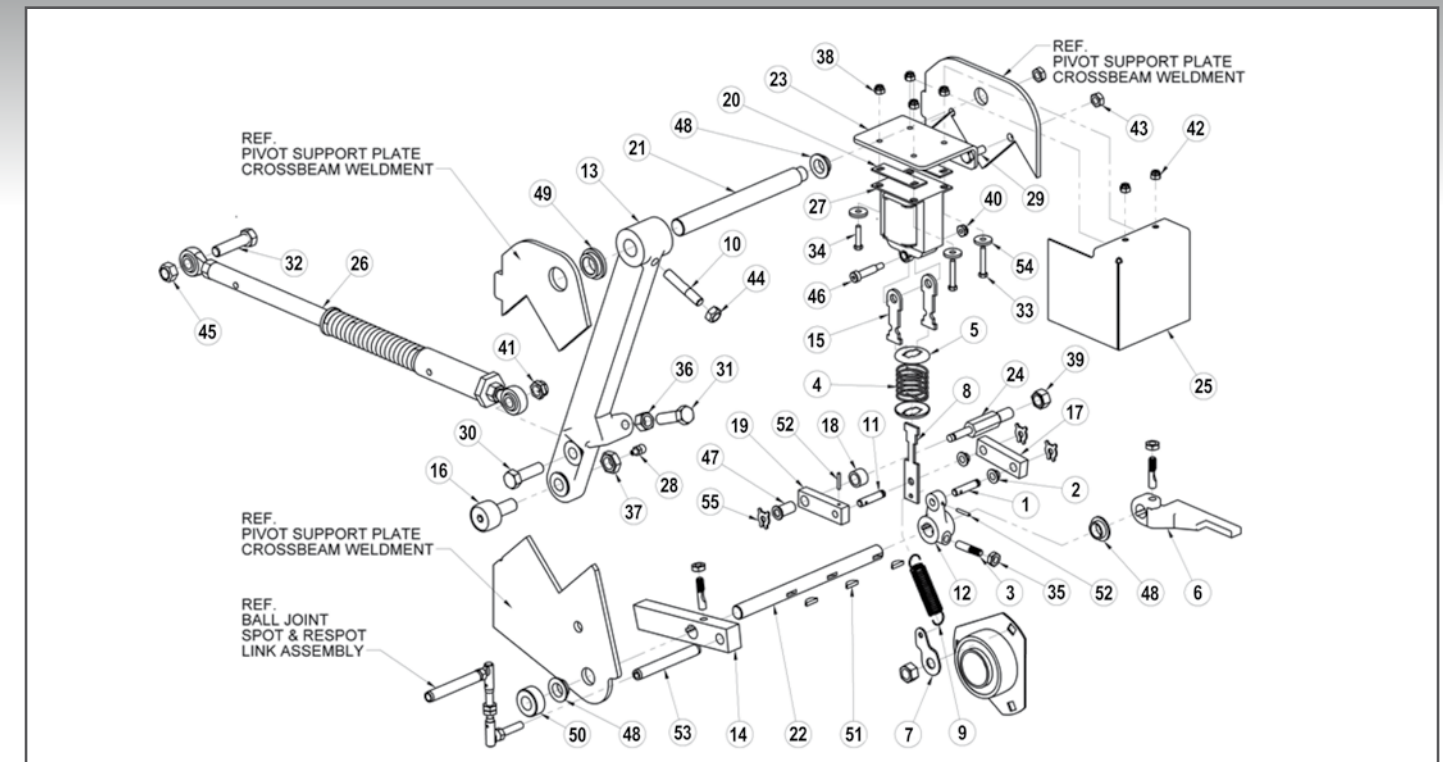


## FRONT END DRIVE

| ITEM | QTY | PART NUMBER | DESCRIPTION                        |
|------|-----|-------------|------------------------------------|
| 1    | 1   | 000 023 139 | Crank Arm                          |
| 2    | 3   | 070 001 664 | Clamp Stud                         |
| 3    | 1   | 070 001 699 | Sweep Shaft                        |
| 4    | 3   | 070 001 707 | Extension Spring                   |
| 5    | 1   | 070 003 243 | Crank Arm Screw                    |
| 6    | 1   | 070 006 417 | Table Cam Weldment                 |
| 7    | 2   | 070 006 420 | Table Cam Switch & Lever Assembly  |
| 8    | 1   | 070 006 427 | Shuttle Cam                        |
| 9    | 1   | 070 006 449 | SB & SC Sweep Cam Weldment         |
| 10   | 1   | 070 006 450 | SA Sweep Cam Weldment              |
| 11   | 1   | 070 006 492 | Respot Arm Link Assembly           |
| 12   | 1   | 070 006 493 | Ball Joint Assembly                |
| 13   | 2   | 070 006 765 | Shaft Plate                        |
| 14   | 2   | 090 003 516 | 50Hz Gearmotor Assembly            |
| 15   | 2   | 090 003 517 | 60Hz Gearmotor Assembly            |
| 17   | 1   | 090 004 001 | Crossbeam Weldment                 |
| 18   | 1   | 090 005 550 | Table Drive Assembly               |
| 19   | 1   | 090 005 565 | Table Drive Shaft                  |
| 20   | 1   | 090 005 589 | Spot & Respot Cam                  |
| 21   | 4   | 250 001 544 | Outlet Cover Spacers               |
| 22   | 2   | 701 420 034 | Bearing, 1-1/4 Bore, 3 Bolt Flange |

| ITEM | QTY | PART NUMBER   | DESCRIPTION                            |
|------|-----|---------------|--|
| 23   | 4   | 809 857 125BG | Screw, Hex, 5/16 - 18 X 3/4            |
| 24   | 6   | 809 865 165BG | Screw, Hex, 3/8 - 16 X 1               |
| 25   | 10  | 809 865 245BG | Screw, Socket Head, 3/8 - 16 X 1-1/2   |
| 26   | 2   | 809 873 405BG | Screw, Hex, 1/2 - 13 X 2-1/2           |
| 27   | 4   | 810 265 280BG | Screw, Socket Head, 3/8 - 16 X 1 3/4   |
| 28   | 8   | 818 239 122BG | Screw, Round Hd, 10 - 24 X 3/4         |
| 29   | 3   | 834 549 002   | Nut, Hex, 1/4 - 20                     |
| 30   | 12  | 839 665 002BG | Nut, Flex Lock, 3/8 - 16, Bag Of 10    |
| 31   | 8   | 843 139 002BG | Nut, Hex Lock, 10 - 24, Bag Of 10      |
| 32   | 4   | 844 057 002BG | Nut, Stover Lock, 5/16 - 18, Bag Of 10 |
| 33   | 3   | 844 073 002BG | Nut, Stover Lock, 1/2 - 13, Bag Of 10  |
| 34   | 2   | 902 900 110   | Bearing Collar, 1-1/4, Locking         |
| 35   | 4   | 907 000 900BG | Key, High Profile, Bag Of 10           |
| 36   | 6   | 951 164 002BG | Washer, Split Lock, 3/8, Bag Of 10     |

# SOLENOID & SHUTTLE OPERATING ASSEMBLY



## SOLENOID AND SHUTTLE OPERATING ASSEMBLY

| ITEM | QTY | PART NUMBER   | DESCRIPTION                        |
|------|-----|---------------|------------------------------------|
| 1    | 1   | 070 001 777   | Link Pin                           |
| 2    | 2   | 070 002 653BG | Flanged Bearing, .252 X .315 X .33 |
| 3    | 3   | 070 006 116   | Clamp Stud, 1/4 X 1-1/8            |
| 4    | 1   | 070 006 276   | Shuttle Drive Spring               |
| 5    | 2   | 070 006 277   | Spring Washer                      |
| 6    | 1   | 070 006 278   | Cam Link                           |
| 7    | 1   | 070 006 280   | Spring Clip                        |
| 8    | 1   | 070 006 282   | Link, Spotting Solenoid            |
| 9    | 1   | 070 006 283   | Shuttle Drive Link Spring          |
| 10   | 1   | 070 006 284   | Clamp Stud 5/16 X 1-3/4            |
| 11   | 1   | 070 006 287   | Pin, Long                          |
| 12   | 1   | 070 006 307   | Link Assembly                      |
| 13   | 1   | 070 006 295   | Shuttle Operating Rod Lever        |
| 14   | 1   | 070 006 456   | Stop Lever                         |
| 15   | 2   | 070 006 724   | Link, Shuttle Spring               |
| 16   | 1   | 070 006 728   | Cam Follower                       |
| 17   | 1   | 070 008 132   | Link Assembly                      |
| 18   | 1   | 070 008 133BG | Link Assembly Spacer, Bag Of 2     |
| 19   | 1   | 070 008 135   | Link Assembly                      |
| 20   | 2   | 090 003 459   | Damper Base                        |
| 21   | 1   | 090 004 017   | Respot Lever Shaft                 |
| 22   | 1   | 090 005 017   | Solenoid Pivot Shaft               |
| 23   | 1   | 090 005 018   | Solenoid Bracket                   |
| 24   | 1   | 090 005 028   | Solenoid Pivot Stud                |
| 25   | 1   | 090 005 029   | Solenoid Guard                     |
| 26   | 1   | 090 005 263   | Shuttle Connecting Rod             |
| 27   | 1   | 090 005 723   | Solenoid, 50/60 Hz, 230V           |
| 28   | 1   | 710 501 012   | Grease Fitting                     |
| 29   | 2   | 809 849 125   | Screw, Hex, 1/4 - 20 X 3/4         |

| ITEM | QTY | PART NUMBER   | DESCRIPTION                             |
|------|-----|---------------|---|
| 30   | 1   | 809 865 205BG | Screw, Hex, 3/8 - 16 X 1-1/4            |
| 31   | 1   | 809 865 205BG | Screw, Hex, 3/8 - 16 X 1, Bag Of 10     |
| 32   | 1   | 809 865 245BG | Screw, Hex, 3/8 - 16 X 1 1/2, Bag Of 10 |
| 33   | 2   | 813 933 162BG | Screw, Hex, 8 - 32 X 1, Bag Of 10       |
| 34   | 2   | 814 333 122BG | Screw, Hex, 8 - 32 X 3/4, Bag Of 10     |
| 35   | 3   | 835 549 002BG | Nut, Hex Jam, 1/4 - 20, Bag Of 10       |
| 36   | 1   | 835 566 002   | Nut, Hex Jam, 3/8 - 16                  |
| 37   | 1   | 835 570 002BG | Nut, Hex Jam, 7/16 - 20, Bag Of 10      |
| 38   | 4   | 839 533 002BG | Nut, Nylon Lock, 8 - 32, Bag Of 10      |
| 39   | 1   | 839 665 002BG | Nut, Flex Lock, 3/8 - 16, Bag Of 10     |
| 40   | 1   | 840 039 002BG | Nut, Flex Loc, 10-24, Thin, Bag Of 10   |
| 41   | 1   | 840 065 002BG | Nut, Flex Lock, 3/8 - 16, Bag Of 10     |
| 42   | 2   | 843 133 002BG | Nut, Hex Lock, 8 - 32, Bag Of 10        |
| 43   | 2   | 844 049 002BG | Nut, Stover Lock, 1/4 - 20, Bag Of 10   |
| 44   | 1   | 844 057 002BG | Nut, Hex, 5/16 - 18, Bag Of 10          |
| 45   | 1   | 844 065 002BG | Nut, Stover Lock, 3/8 - 16, Bag Of 10   |
| 46   | 1   | 880 139 200   | Shoulder Bolt, 1/4 X 7/8, Black         |
| 47   | 1   | 900 204 121BG | Flanged Bearing, .25 X .378 X 3/4       |
| 48   | 3   | 900 208 041   | Flanged Bearing, .503 X .753 X 5/16     |
| 49   | 1   | 900 210 251   | Flanged Bearing                         |
| 50   | 1   | 901 100 110   | Set Collar                              |
| 51   | 3   | 907 000 200BG | Key, High Profile, Bag Of 10            |
| 52   | 2   | 913 415 100BG | Spring Pin, 3/32 X 5/8, Bag Of 10       |
| 53   | 1   | 913 464 480   | Spring Pin, 3/8 X 3                     |
| 54   | 4   | 948 041 100   | Washer Rubber (Not Shown)               |
| 54   | 4   | 948 637 072BG | Washer, Flat, 3/16 X 7/16 X 3/64        |
| 55   | 3   | 963 200 002BG | X Washer, Bag Of 10                     |



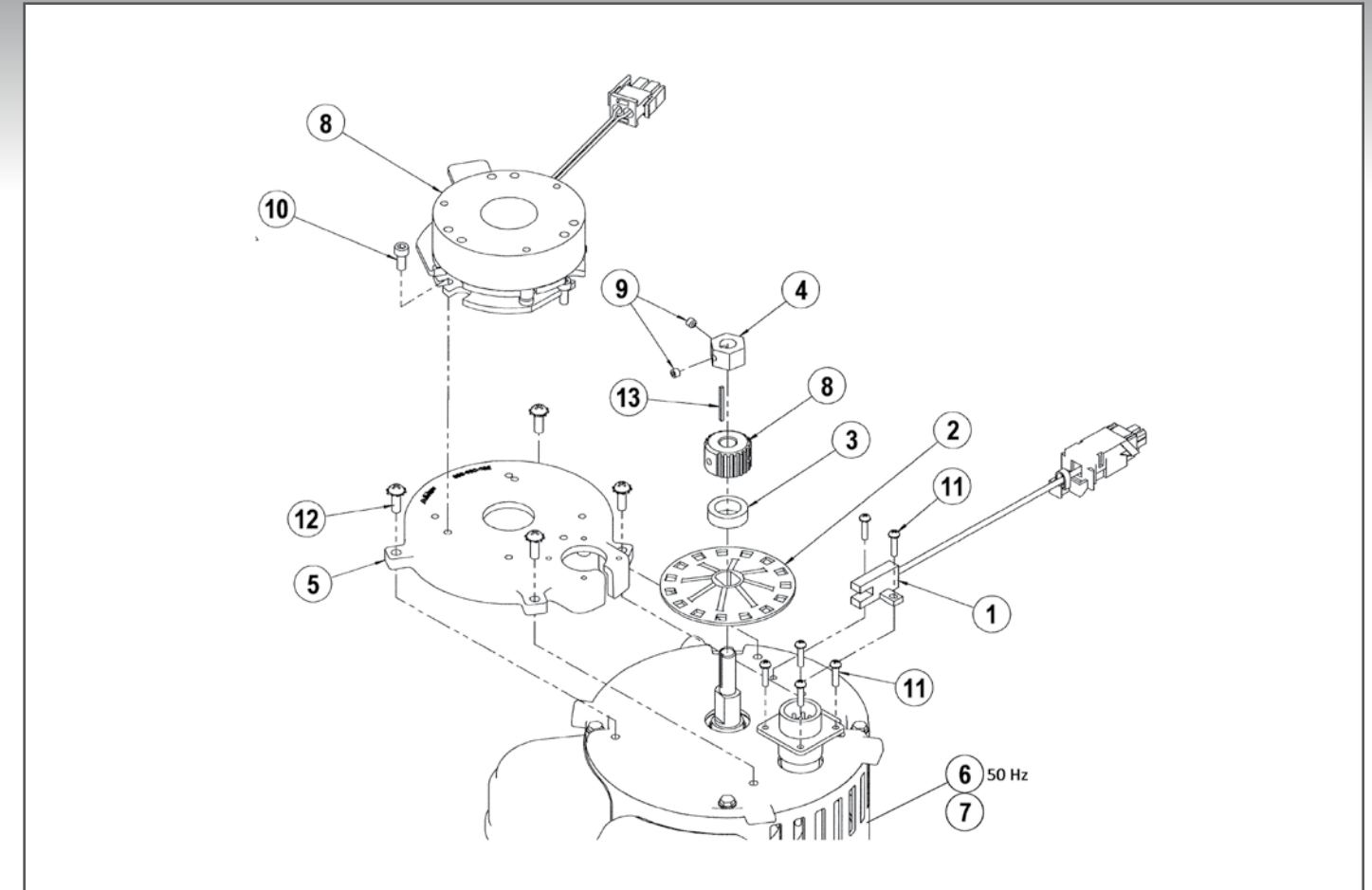
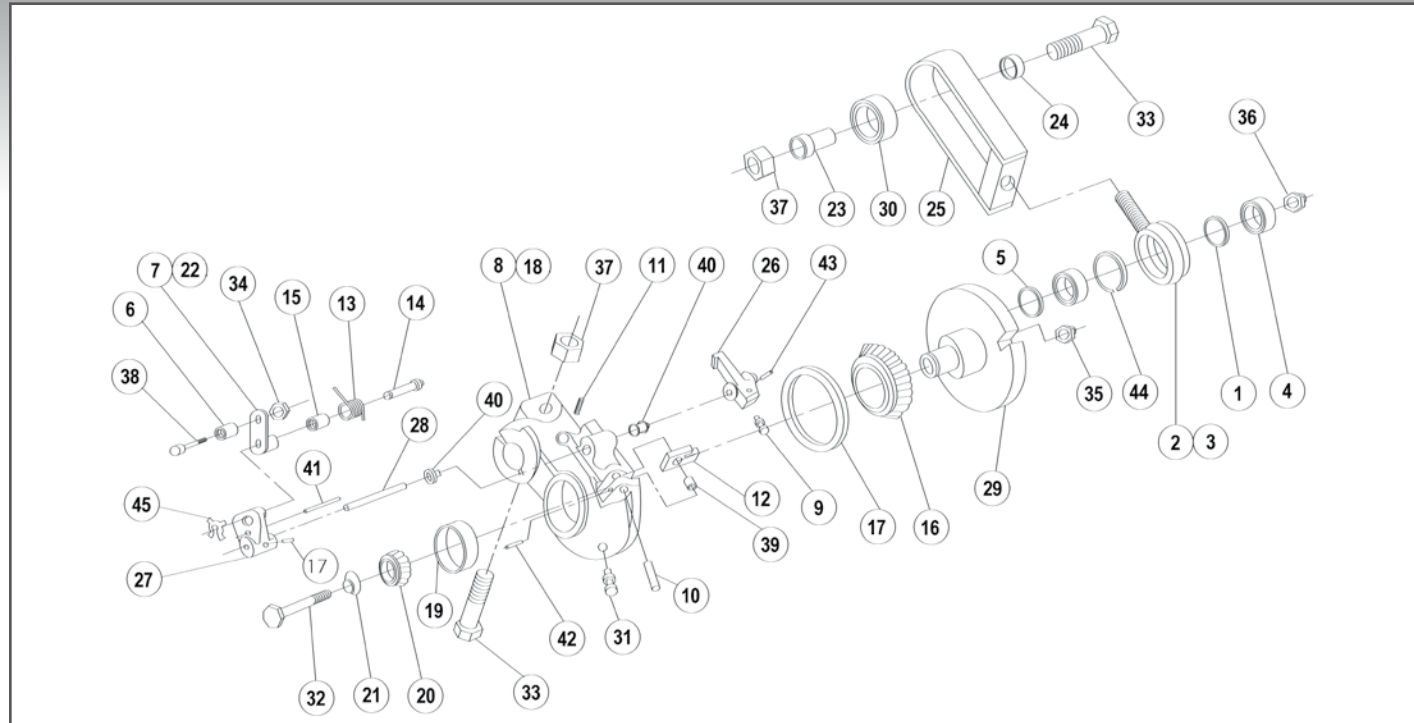


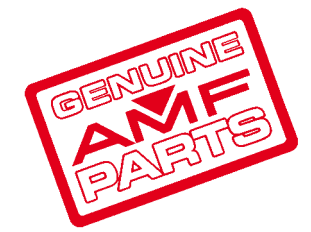
TABLE DRIVE ASSEMBLY

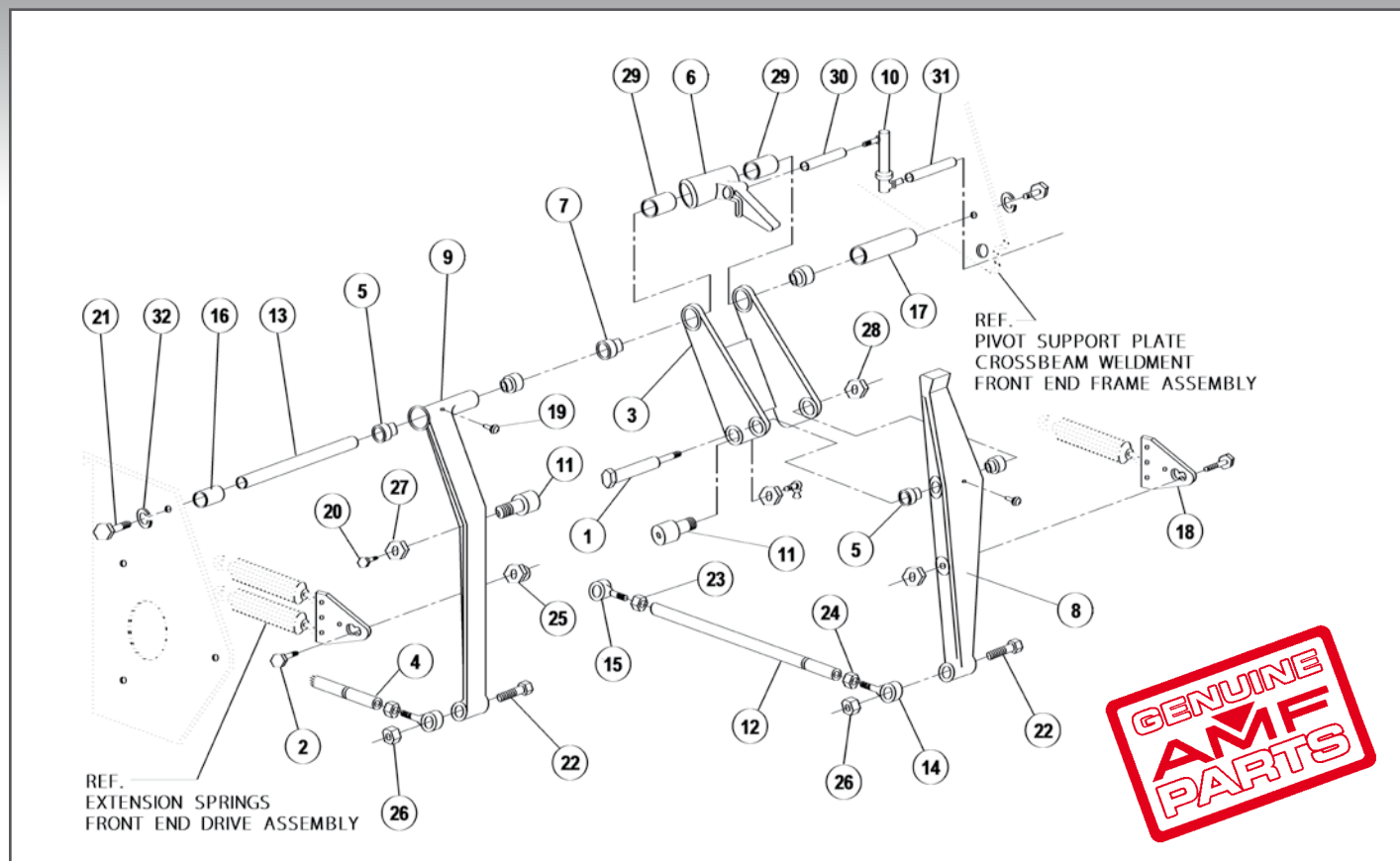
| ITEM | QTY | PART NUMBER   | DESCRIPTION  |
|------|-----|---------------|--|
| 1    | 1   | 000 021 878   | Spacer   |
| 2    | 1   | 000 021 880   | Rod End Purchase As Part 000 021 880   |
| 3    | 1   | 000 021 880   | Rod End Assy<br>Includes Items 1, 2, 4, and 44   |
| 4    | 2   | 000 021 881   | Ball Bearing, .625 X 1.375   |
| 5    | 1   | 070 001 849   | Washer, 1 X 5/8 X 1/8  |
| 6    | 1   | 070 001 857BG | Nylon Roller, Bag Of 2   |
| 7    | 1   | 070 007 250   | Link & Hub Assembly  |
| 8    | 1   | 070 002 778   | Housing & Cup Assembly   |
| 9    | 1   | 070 001 893   | Cam Ball Assembly  |
| 10   | 1   | 070 001 894   | Pivot Pin  |
| 11   | 1   | 070 001 917BG | Compression Spring, Bag Of 5   |
| 12   | 1   | 070 001 898   | Latch Assembly   |
| 13   | 1   | 070 001 931   | Spring   |
| 14   | 1   | 070 001 932   | Pin  |
| 15   | 1   | 070 002 652BG | Bushing .252 X .315 X .5, Bag Of 20  |
| 16   | 1   | 070 002 776   | Cone Style Roller Bearing  |
| 17   | 1   | 070 002 777   | Bearing Cup  |
| 18   | 1   | 070 002 778   | Crank Housing & Cup Assembly<br>Includes Items 17, 19, 31, 40,<br>And Housing (Not Available Separately) |
| 19   | 1   | 070 002 780   | Roller Bearing Cup   |
| 20   | 1   | 070 002 824   | Cone & Seal Bearing Assembly   |
| 21   | 1   | 070 006 729   | Spring Disc  |
| 22   | 1   | 070 007 250   | Link Assembly - Includes Items 7 and 15  |
| 23   | 1   | 070 007 310   | Flanged Bearing, .502 X .871 X 1.20  |
| 24   | 1   | 070 007 311   | Sleeve, Table Drive Assembly   |
| 25   | 1   | 070 007 755   | Yoke Weldment  |
| 26   | 1   | 070 008 321   | Latch Arm Assy (1/8" Spring Pin Hole)  |
| 27   | 1   | 070 008 322   | Link Actuator Assembly   |
| 28   | 1   | 070 008 325   | Pin Actuator Assembly  |
| 29   | 1   | 090 005 549   | Table Drive Eccentric  |

| ITEM  | QTY | PART NUMBER   | DESCRIPTION   |
|---|-----|---------------|---|
|   |     | 090 005 550   | Table Drive Assembly<br>Includes All Parts Listed                             |
| 30  | 1   | 190 001 490   | Ball Bearing  |
| 31  | 1   | 710 501 004   | Grease Fitting  |
| 32  | 1   | 809 870 325BG | Screw, Hex, 7/16 - 20 X 2, Bag Of 10  |
| 33  | 2   | 809 873 405BG | Screw, Hex, 1/2 - 13 X 2-1/2, Bag Of 10                                       |
| 34  | 1   | 839 539 002BG | Nut, Flex Lock, 10 - 24, Bag Of 10  |
| 35  | 1   | 840 070 002BG | Nut, Flex Lock, 7/16 - 20, Bag Of 10  |
| 36  | 1   | 840 182 002BG | Nut, Flex Lock, Bag Of 10   |
| 37  | 2   | 844 073 002BG | Nut, Stover Lock, 1/2 - 3, Bag Of 10  |
| 38  | 1   | 880 139 120BG | Shoulder Screw, 10 - 24 X 1/4 X 3/8<br>Bag Of 10                              |
| 39  | 1   | 900 104 071BG | Sleeve Bearing, .253 X 7/16, Bag Of 5   |
| 40  | 2   | 900 205 053BG | Flanged Bearing .315 X .44 X 5/16<br>Bag Of 5                                 |
| 41  | 1   | 912 137 200BG | Groove Pin, 1/16 X 1-1/4, Bag Of 10   |
| 42  | 1   | 913 415 120BG | Spring Pin, .094 X 3/4, Bag Of 10   |
| 43  | 2   | 913 423 120BG | Spring Pin, .125 X 3/4, Bag Of 10   |
| 44  | 1   | 919 000 600BG | Retaining Ring, Bag Of 10   |
| 45  | 1   | 963 300 002BG | X Washer, Bag Of 10   |
| Aluminum table pinspotters use a different eccentric. All other parts on the drive assembly are the same for both versions of table drive assemblies. Part numbers specific to aluminum table drive assembly are: |     |               |   |
| 14  | 1   | 070 001 840   | Table Drive Assembly  |
|   |     | 070 001 877   | Eccentric, Table Drive  |
|   |     | 070 002 779   | Eccentric & Cone Assembly<br>Includes Aluminum Table Eccentric<br>and Item 16 |

XLi MOTOR REPLACEMENT PARTS

| ITEM | PART NUMBER   | DESCRIPTION                                       |
|------|---------------|---|
| 1    | 088 000 022   | Encoder/Home Sensor Assembly                      |
| 2    | 088 000 028   | Encoder Disc                                      |
| 3    | 088 000 029   | Encoder Disc Spacer                               |
| 4    | 088 000 030   | Brake Hub 5/8                                     |
| 5    | 088 000 032   | Encoder Enclosure                                 |
| 6    | 088 000 115   | 50 Hertz Motor (Motor Only)                       |
| 7    | 088 000 116   | 60 Hertz Motor (Motor Only)                       |
| 8    | 088 001 286   | Brake & Splined Hub                               |
| 9    | 805 133 020   | Setscrew, 8-32 X 1/8, 5/64 Hex Socket             |
| 10   | 810 233 060   | Screw, 8-32 X 3/8, 9/64 Hex Socket Cap            |
| 11   | 817 921 060   | Screw, 4-40 X 1/2, Phillips Head, Sems            |
| 12   | 818 233 082BG | Screw, 8-32 X 1/2, Phillips Pan Head<br>Bag Of 10 |
| 13   | 907 200 080   | Key, Square, 1/16 X .80                           |

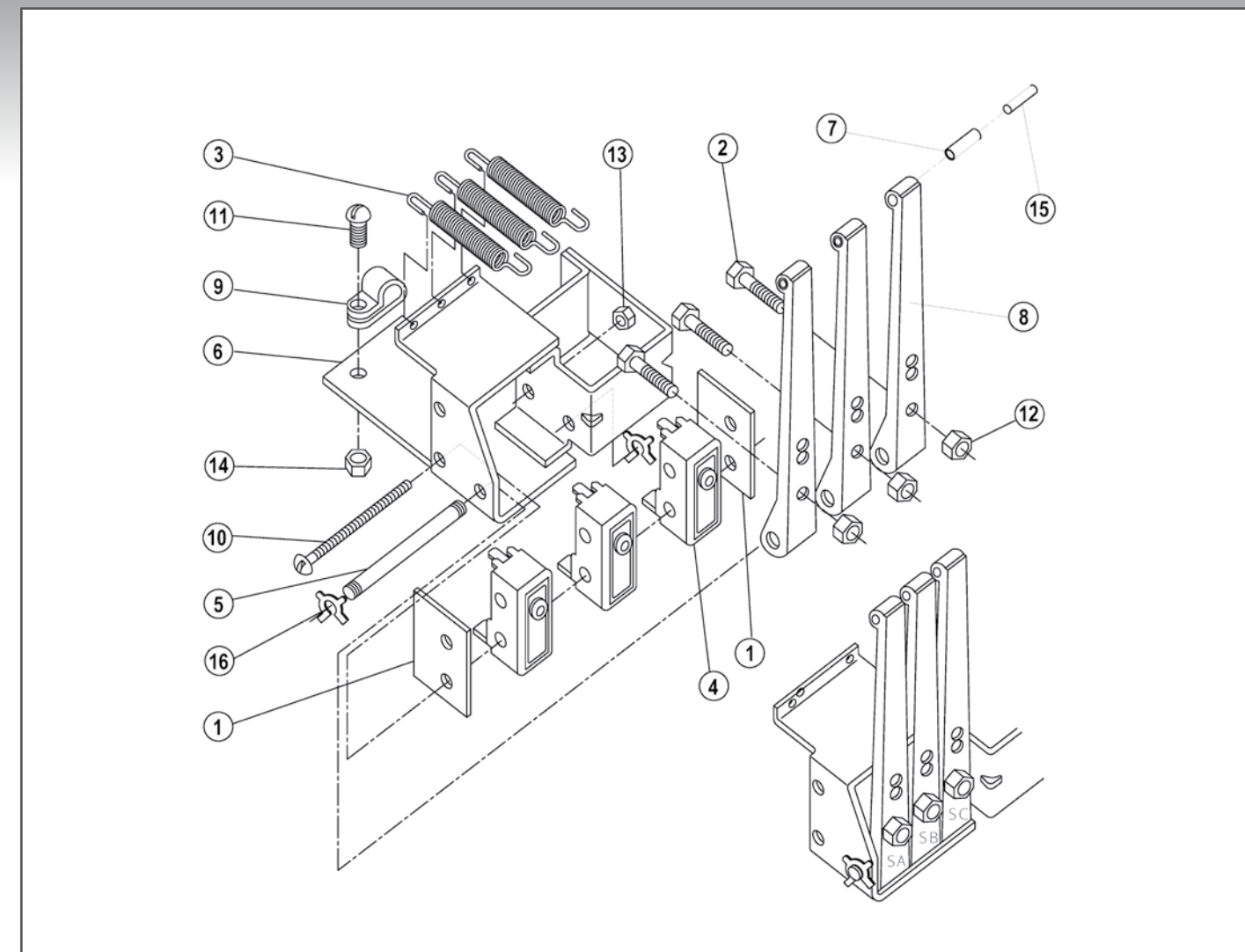




**SPOT & RESPOT LINKAGES**

| ITEM | QTY | PART NUMBER   | DESCRIPTION   |
|------|-----|---------------|---|
| 1    | 1   | 070 001 585   | Spot Link Pin   |
| 2    | 2   | 070 001 587   | Spring Hanger Pin   |
| 3    | 1   | 070 001 605   | Upper Spotting Link Assy<br>Includes Upper Spotting Link and Flange Bearings (#7) |
| 4    | 1   | 070 001 606   | Respot Tie Rod (Rod Only)   |
| 5    | 4   | 070 001 919BG | Flanged Bearing, .627 X .814 X .870<br>Bag Of 10                                  |
| 6    | 1   | 070 001 996   | Spotting Arm Latch  |
| 7    | 2   | 070 002 691BG | Flanged Bearing, .627 X .752 X 1/2<br>Bag Of 10                                   |
| 8    | 1   | 070 006 481   | Spotting Arm Link Assy<br>Includes Arm And Items 5 & 19                           |
| 9    | 1   | 070 006 492   | Respot Arm Link Assy<br>Includes Items Arm And Items 5 & 19                       |
| 10   | 1   | 070 006 493   | Ball Joint Assembly   |
| 11   | 2   | 070 006 728   | Cam Follower Bearing Assembly   |
| 12   | 1   | 088 005 501   | Spot Tie Rod Assembly - Qty: 1  |
| 13   | 1   | 090 005 025   | Pivot Shaft, 5/8 X 8-5/8  |
| 14   | 2   | 090 005 264   | End Fitting, 7/16-20, L.H. Threads  |
| 15   | 2   | 090 005 265   | End Fitting, 7/16-20, R.H. Threads  |
| 16   | 1   | 090 005 534   | Spacer  |
| 17   | 1   | 090 005 564   | Spacer, Long  |
| 18   | 2   | 090 005 576   | Spring Hanger   |
| 19   | 2   | 710 501 009   | Grease Fitting  |
| 20   | 2   | 710 501 012   | Grease Fitting  |

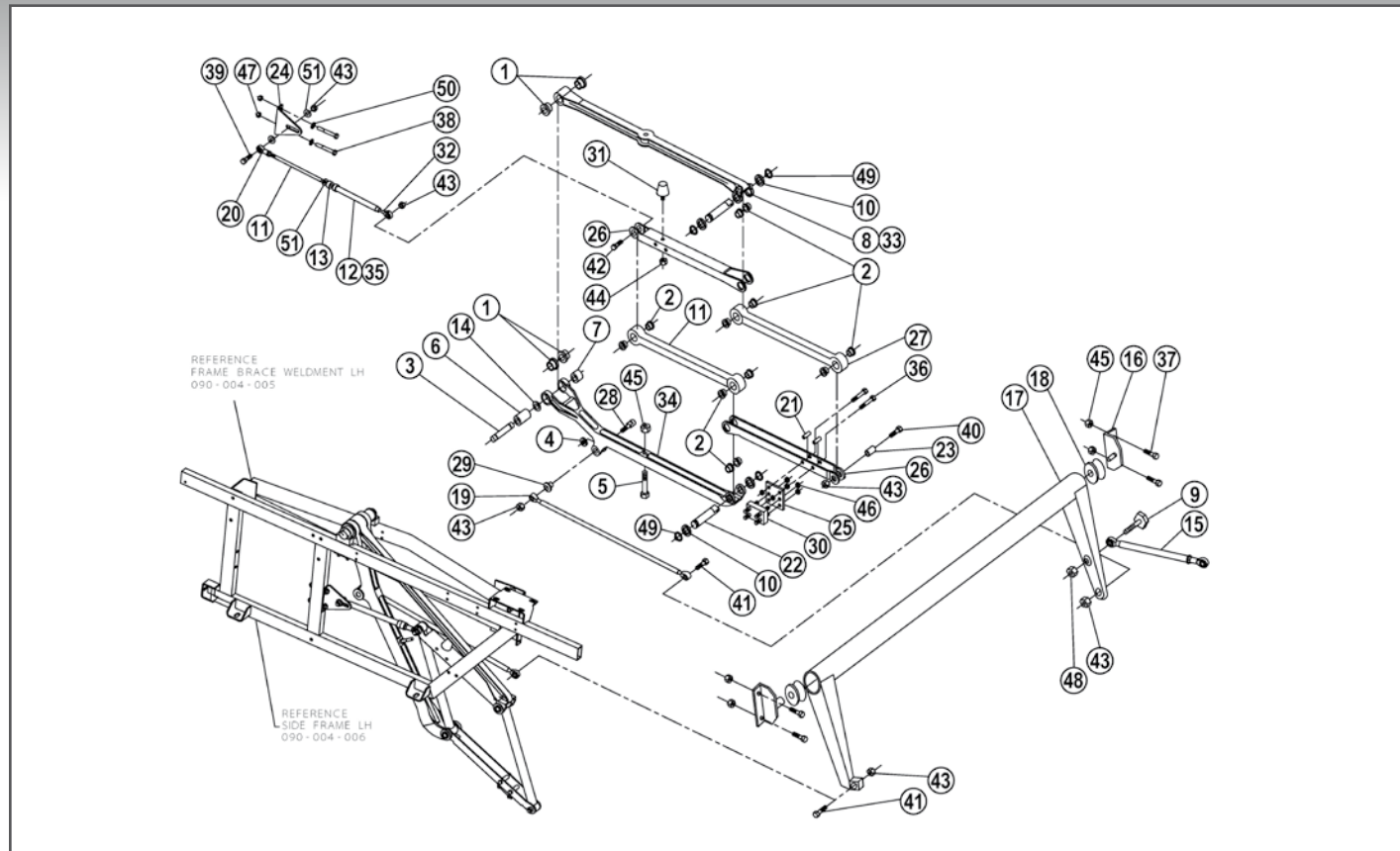
| ITEM | QTY | PART NUMBER   | DESCRIPTION   |
|------|-----|---------------|---|
| 21   | 2   | 809 865 125BG | Screw, Hex, 3/8 - 16 X 3/4<br>Bag Of 10                 |
| 22   | 2   | 809 869 365BG | Screw, Hex, 7/16 - 14 X 2 1/4<br>Bag Of 10              |
| 23   | 2   | 835 570 002BG | Nut, Jam, 7/16-20, R.H. Threads<br>Bag Of 10            |
| 24   | 2   | 835 670 002BG | Nut, Hex, Jam, 7/16-20, Lh Thread<br>Bag Of 10 - Qty: 2 |
| 25   | 2   | 839 665 002BG | Nut, Flex Lock, 3/8 - 16<br>Bag Of 10                   |
| 26   | 2   | 844 069 002BG | Nut, Stover Lock, 7/16 - 14<br>Bag Of 10                |
| 27   | 2   | 844 070 002BG | Nut, Stover Lock, 7/16 - 20<br>Bag Of 10                |
| 28   | 1   | 844 073 002BG | Nut, Stover Lock, 1/2 - 13<br>Bag Of 10                 |
| 29   | 2   | 900 110 141BG | Sleeve Bearing, .628 X .878 X 7/8<br>Bag Of 5           |
| 30   | 1   | 913 464 400BG | Spring Pin, Bag Of 10                                   |
| 31   | 1   | 913 464 480   | Spring Pin, 3/8   |
| 32   | 2   | 951 164 002BG | Washer, Split Lock, 3/8, Bag Of 10                      |



**SWEEP & TABLE CAM ASSEMBLY**

| ITEM | QTY | PART NUMBER   | DESCRIPTION  |
|------|-----|---------------|--|
| 1    | 2   | 000 021 575   | Insulator  |
| 2    | 3   | 000 021 714   | Adjusting Screw                                    |
| 3    | 3   | 000 024 657   | Spring   |
| 4    | 3   | 000 026 042   | Microswitch  |
| 5    | 1   | 000 026 401   | Shaft  |
| 6    | 1   | 000 026 419   | Housing Weldment                                   |
| 7    | 3   | 000 027 016   | Roller   |
| 8    | 3   | 070 001 644   | Lever  |
| 9    | 1   | 744 107 013   | Nylon Clamp, 1/8                                   |
| 10   | 2   | 818 227 402BG | Screw, Rd Hd, 6 - 32 X 2-1/2<br>Sems, Bag Of 10    |
| 11   | 1   | 818 233 082BG | Screw, Round Head, 8 - 32 X 1/2<br>Sems, Bag Of 10 |
| 12   | 3   | 835 550 002BG | Nut, Hex Jam, 1/4 - 28, Bag Of 10                  |
| 13   | 2   | 843 127 002BG | Nut, Hex Lock, 6 - 32, Bag Of 10                   |
| 14   | 1   | 843 133 002BG | Nut, Hex Lock, 8 - 32, Bag Of 10                   |
| 15   | 3   | 922 323 090   | Rivet, Semi-Tubular Rd Hd,<br>.125 X 9/16          |
| 16   | 2   | 963 200 002BG | X Washer, 1/8, Bag Of 10                           |

# SWEEP ARM ASSEMBLY

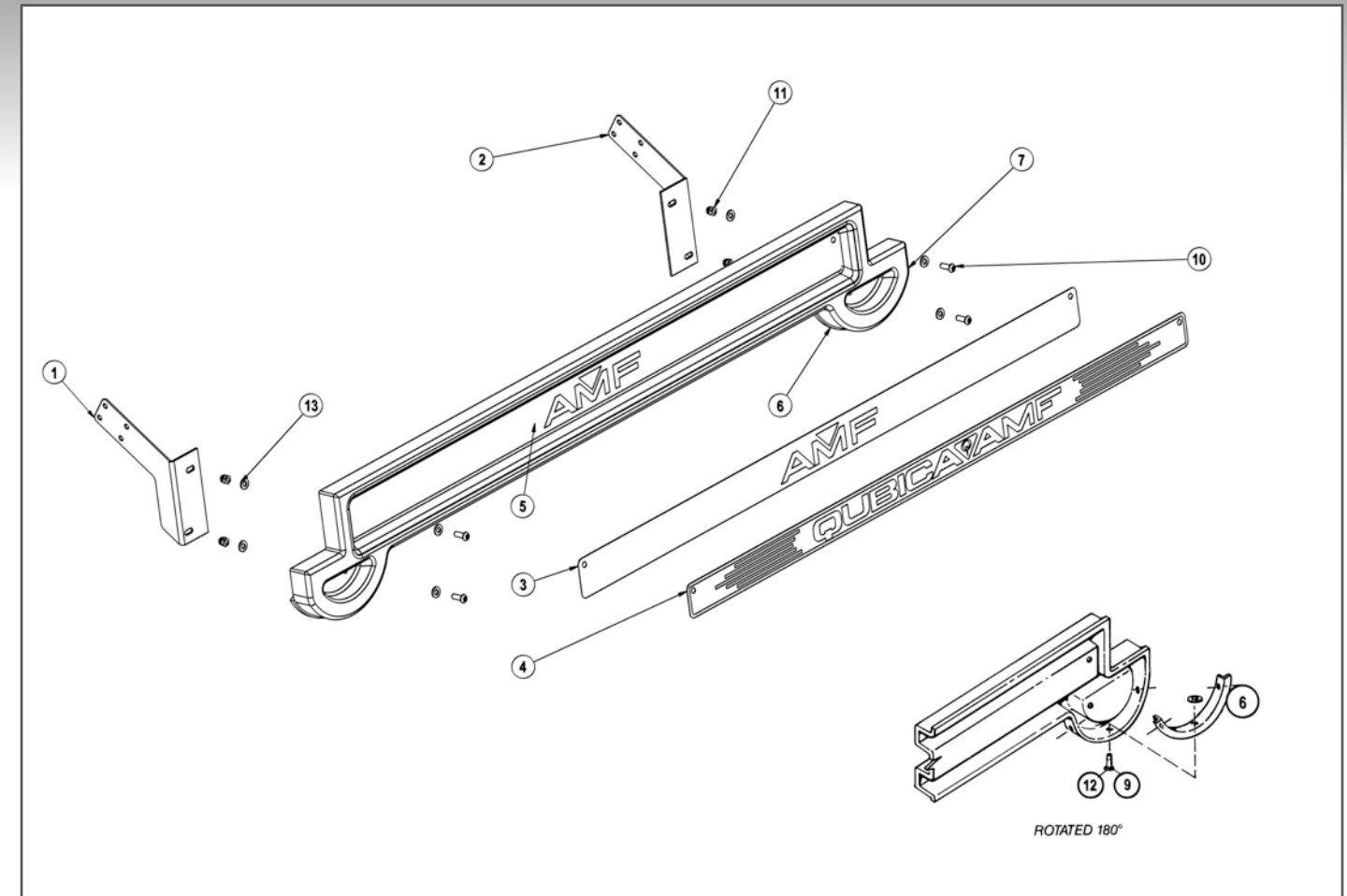


## SWEEP ARM ASSEMBLY

| ITEM | PART NUMBER   | DESCRIPTION                                  |
|------|---------------|--|
| 1    | 000 023 104   | Flanged Bearing, 1.25 X 1.5 X .953           |
| 2    | 000 023 114BG | Flanged Bearing, .628 X .81 X .06, Bag Of 10 |
| 3    | 070 003 106   | Main Pivot Shaft                             |
| 4    | 070 003 117   | Drive Link Spacer                            |
| 5    | 070 003 221   | Screw, Sweep Link Assembly                   |
| 6    | 070 003 232   | Main Pivot Spacer, Long                      |
| 7    | 070 003 233   | Main Pivot Spacer, Short                     |
| 8    | 070 003 238   | Link Assembly, Sweep Stabilizer, With Bumper |
| 9    | 070 003 243   | Screw, Hex, 1/2 - 13 X 2-1/2                 |
| 10   | 070 006 121BG | Washer, Bag Of 10                            |
| 11   | 070 007 276   | Rod  |
| 12   | 070 007 278   | Tube Weldment                                |
| 13   | 070 007 283   | Bumper                                       |
| 14   | 070 011 819   | Shim, Table & Sweep                          |
| 15   | 088 001 353   | Tie Rod Assembly                             |
| 16   | 090 004 007   | Torque Tube Hanger                           |
| 17   | 090 004 010   | Sweep Rocker Arm                             |
| 18   | 090 005 015   | Torque Tube Bearing                          |
| 19   | 090 005 254   | Drive Link Connecting Rod                    |
| 20   | 090 005 257   | Rod End                                      |
| 21   | 090 006 125   | Lower Steel Sweep Spacer                     |
| 22   | 090 006 126   | Pin, Steel Sweep Linkage                     |
| 23   | 090 006 127   | Steel Sweep Link Sleeve                      |
| 24   | 090 006 128   | Sweep Link Bracket                           |
| 25   | 090 006 131   | Sweep Shock Mount Plate                      |
| 26   | 090 006 132   | Steel Sweep Link, Upper & Lower              |
| 27   | 090 006 133   | Middle Link, Steel                           |

| ITEM | PART NUMBER   | DESCRIPTION   |
|------|---------------|---|
| 28   | 090 006 134   | Drive Link Pin  |
| 29   | 090 006 135   | Drive Link Bushing/Spacer   |
| 30   | 090 006 136   | Shock Mount   |
| 31   | 090 006 137   | Bumper  |
| 32   | 090 006 138   | Rod End, 7/16 - 20 X .5   |
| 33   | 090 006 139   | Stablizer Link Assy - Includes Items 1, 2, and 8                      |
| 34   | 090 006 140   | Drive Link Assy - Includes Items 1, 2, 5, 45, and Link Assy 070003158 |
| 35   | 090 006 145   | Sweep Link Slide Assy - Includes Items 11, 12, 13, 20, 32, and 51     |
| 36   | 809 857 365   | Screw, Hex, 5/16 - 18 X 2-1/4   |
| 37   | 809 865 285   | Screw, Hex, 3/8 - 16 X 1 X 3/4  |
| 38   | 809 865 445BG | Screw, Hex, 3/8 - 16 X 2.75, Bag Of 10                                |
| 39   | 809 869 245BG | Bolt, 7/16 14 X 1.5, Bag Of 10  |
| 40   | 809 869 325BG | Bolt, Hex, 7/16 - 14 X 2, Bag Of 10                                   |
| 41   | 809 869 365BG | Screw, Hex, 7/16 - 14 X 2-1/4, Bg                                     |
| 42   | 809 869 405BG | Bolt, Hex, 7/16 - 14 X 2-1/2, Bag Of 10                               |
| 43   | 838 369 002   | Nut, Stover Lock, 7/16 - 14   |
| 44   | 839 057 002BG | Nut, Hex Lock Nylon, 5/16 - 18, Bag Of 10                             |
| 45   | 839 665 002BG | Nut, Flex Lock, 3/8 - 16, Bag Of 10                                   |
| 46   | 844 057 002BG | Nut, Stover Lock, 5/16 - 18, Bag Of 10                                |
| 47   | 844 065 002BG | Nut, Stover Lock, 3/8 - 16, Bag Of 10                                 |
| 48   | 844 073 002BG | Nut, Stover Lock, 1/2 - 13, Bag Of 10                                 |
| 49   | 919 005 600BG | Retaining Ring, Bag Of 10   |
| 50   | 948 767 132BG | Washer, 13/32 X 13/16 X 1/16, Bag Of 10                               |
| 51   | 949 100 002BG | Washer, 59/64 X 15/32, Bag Of 10                                      |

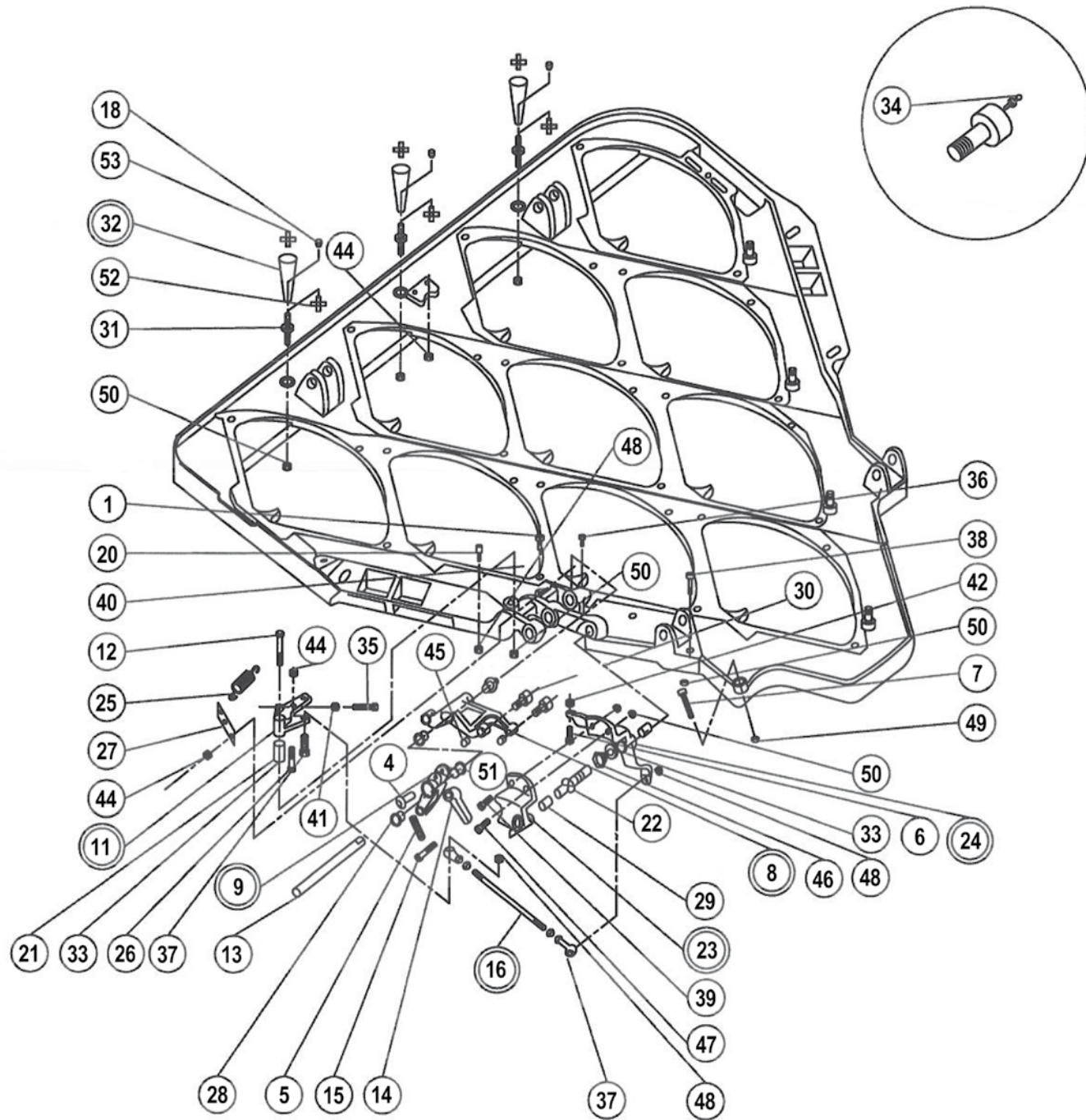
# SWEEP BAR & MOUNTING ASSEMBLY



## SWEEP BAR & MOUNTING ASSEMBLY

| ITEM | PART NUMBER   | DESCRIPTION  |
|------|---------------|--|
| 1    | 090 006 129   | Sweep Mounting Bracket L.H. (7 PS)                               |
| 2    | 090 006 130   | Sweep Mounting Bracket R.H. (10 PS)                              |
| 3    | 090 006 166   | Insert Sweep Logo, Glow - White Letters Black Background         |
| 4    | 088 001 089   | Decal, Sweep, Qamf, XLI  |
| 5    | 300 000 166   | Insert Sweep Logo - Black Letters White Background               |
| 6    | 300 000 175   | Cap- Sweep Bar   |
| 7    | 300 000 182   | Sweep Bar And Cap Assembly                                       |
| 8    | 610 700 150   | Sweep Assembly - Contains Complete Kit For Two Lanes - Not Shown |
| 9    | 749 537 068   | Washer-Backup 3/6 Pop Rivet                                      |
| 10   | 808 557 140BG | Screw, Soc. Butt Hd, 5/16 - 18 X 7/8 Lg Bag Of 10                |
| 11   | 830 057 002BG | Nut, Acorn Lock, 5/16-18, Bag Of 10                              |
| 12   | 938 637 100BG | Rivet-Pop 3/16 Diameter, Aluminum Bag Of 10                      |
| 13   | 948 722 111BG | Washer, Black Oxide, 11/16 O.D. X 11/32 I.D. Bag Of 10           |

# TABLE ASSEMBLY - ALUMINUM

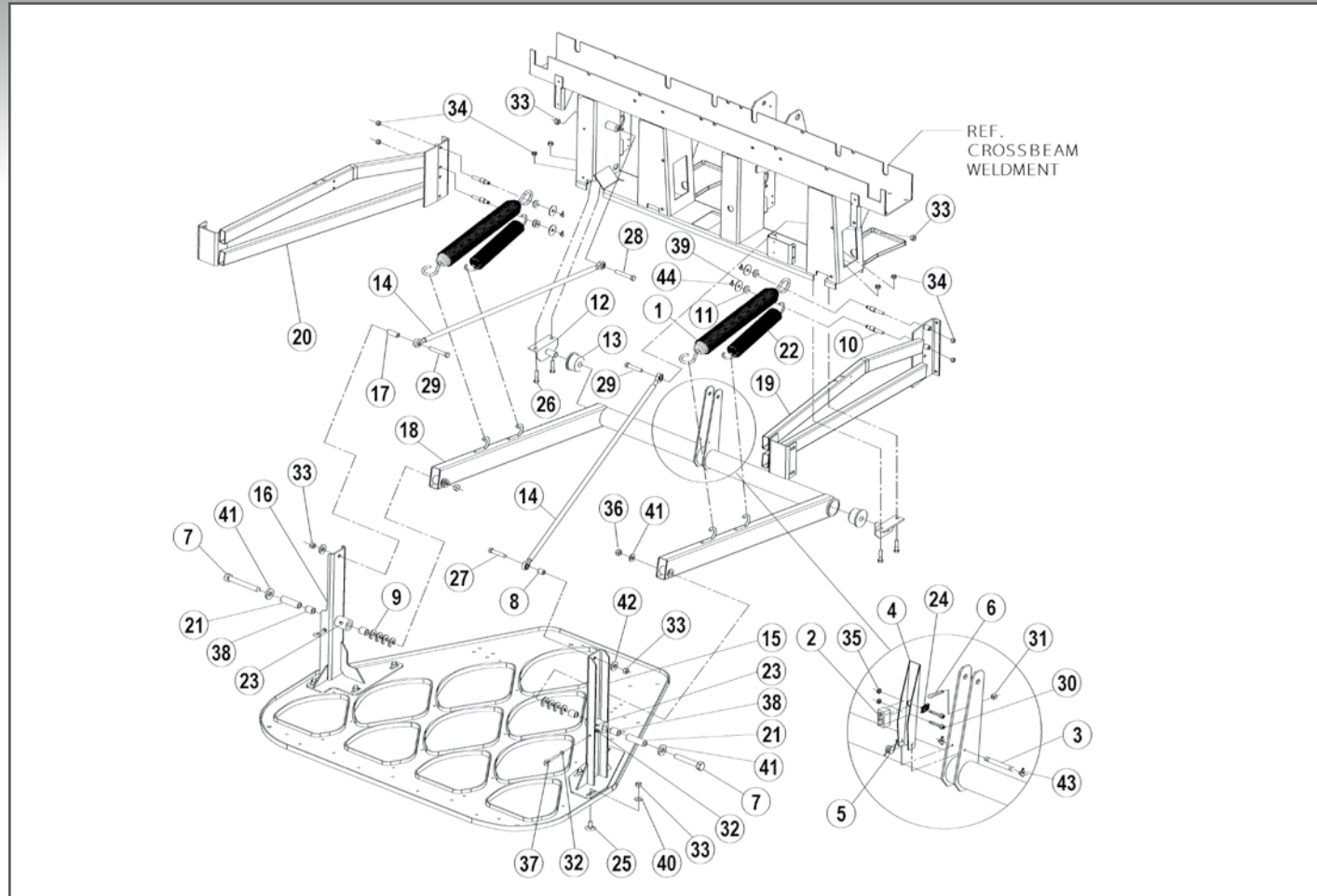


## TABLE ASSEMBLY - ALUMINUM

| ITEM | PART NUMBER   | DESCRIPTION                            |
|------|---------------|--|
| 1    | 000 022 580   | Pin Stop No Longer Available           |
| 2    | 000 022 737   | 1/4 Rod End Lh Thread                  |
| 3    | 000 022 738   | 1/4 Rod End Rh Thread                  |
| 4    | 070 001 804   | Pivot Weldment                         |
| 5    | 070 001 807   | Spring                                 |
| 6    | 070 001 871   | Screw Hex Hd Cap                       |
| 7    | 070 002 577   | Stud                                   |
| 8    | 070 002 578   | Lever Spot Assembly                    |
| 9    | 070 002 579   | Finger Lever Assembly                  |
| 10   | 070 002 581   | Tie Rod                                |
| 11   | 070 002 583   | Link Assembly                          |
| 12   | 070 002 584   | Pin Bell Crank                         |
| 13   | 070 002 585   | Shaft                                  |
| 14   | 070 002 590   | Finger Link                            |
| 15   | 070 002 592   | Pin Purchase As Part 090 005 629       |
| 16   | 070 002 594   | Tie Rod Assembly                       |
| 17   | 070 002 596   | Spring Yoke Return (Not Shown)         |
| 18   | 070 002 653BG | Bushing, Bag Of 20                     |
| 19   | 070 002 681BG | Pin 1/4, Respot Lever Pivot, Bag Of 10 |
| 20   | 070 002 702   | Stop Respot                            |
| 21   | 070 002 715   | Bushing                                |
| 22   | 070 002 726   | Shaft                                  |
| 23   | 070 002 727   | Link And Bearing Assembly              |
| 24   | 070 002 728   | Cam Link Assembly                      |
| 25   | 070 002 732BG | Spring, Bag Of 2                       |
| 26   | 070 002 733   | Screw                                  |
| 27   | 070 002 734   | Bracket                                |
| 28   | 070 002 745BG | Bushing, Bag Of 10                     |
| 29   | 070 002 781   | Needle Bearing                         |

| ITEM | PART NUMBER   | DESCRIPTION                                  |
|------|---------------|--|
| 30   | 070 002 816   | Cam Follower W/ Grease Fitting               |
| 31   | 070 007 616BG | Pin 5/16, Bag Of 10                          |
| 32   | 070 007 622   | Lever Respot W Flange Bushing                |
| 33   | 701 316 041BG | Thrust Bearing Oilite, Bag Of 10             |
| 34   | 710 501 009   | Alemite Fitting                              |
| 35   | 806 249 160   | Set Screw Square Head                        |
| 36   | 807 357 060BG | Set Screw, 5/16-18 X 3/8, Bag Of 10          |
| 37   | 809 849 165BG | Screw Hex Hd, 1/4-20 X 1, Bag Of 10          |
| 38   | 809 865 125BG | Bolt Hex Hd, 3/8-16 X 1, Bag Of 10           |
| 39   | 809 865 205BG | Hex Hd Cap Screw, 3/8 16 X 1 1/4 Bag Of 10   |
| 40   | 810 239 120BG | Socket Head Cap Screw, 10-24 X 3/4 Bag Of 10 |
| 41   | 835 549 002BG | Jam Nut, 1/4-20, Bag Of 10                   |
| 42   | 835 550 002BG | Nut Jam, 1/4-28, Bag Of 10                   |
| 43   | 835 650 002BG | Nut, Jam, 1/4-28 Lh, Bag Of 10               |
| 44   | 839 539 002BG | Nut, Flex Loc, Bag Of 10                     |
| 45   | 840 066 002BG | Nut, Flex, 3/8-24 Thin, Bag Of 10            |
| 46   | 840 600 002BG | Nut, Flex, 7/8-14, Bag Of 10                 |
| 47   | 843 140 002BG | Nut, Kep, 10-32, Bag Of 10                   |
| 48   | 844 049 002BG | Lock Nut, Stover, 1/4-20, Bag Of 10          |
| 49   | 844 057 002BG | Lock Nut, Stover, 5/16-18, Bag Of 10         |
| 50   | 844 065 002BG | Nut, Flex Loc, 3/8-16, Bag Of 10             |
| 51   | 913 423 160BG | Roll Pin, Esna, 1/8 X 1, Bag Of 10           |
| 52   | 963 200 002BG | X Washer, 9000-8, Bag Of 10                  |
| 53   | 963 400 002BG | X Washer, 9000-12, Bag Of 10                 |

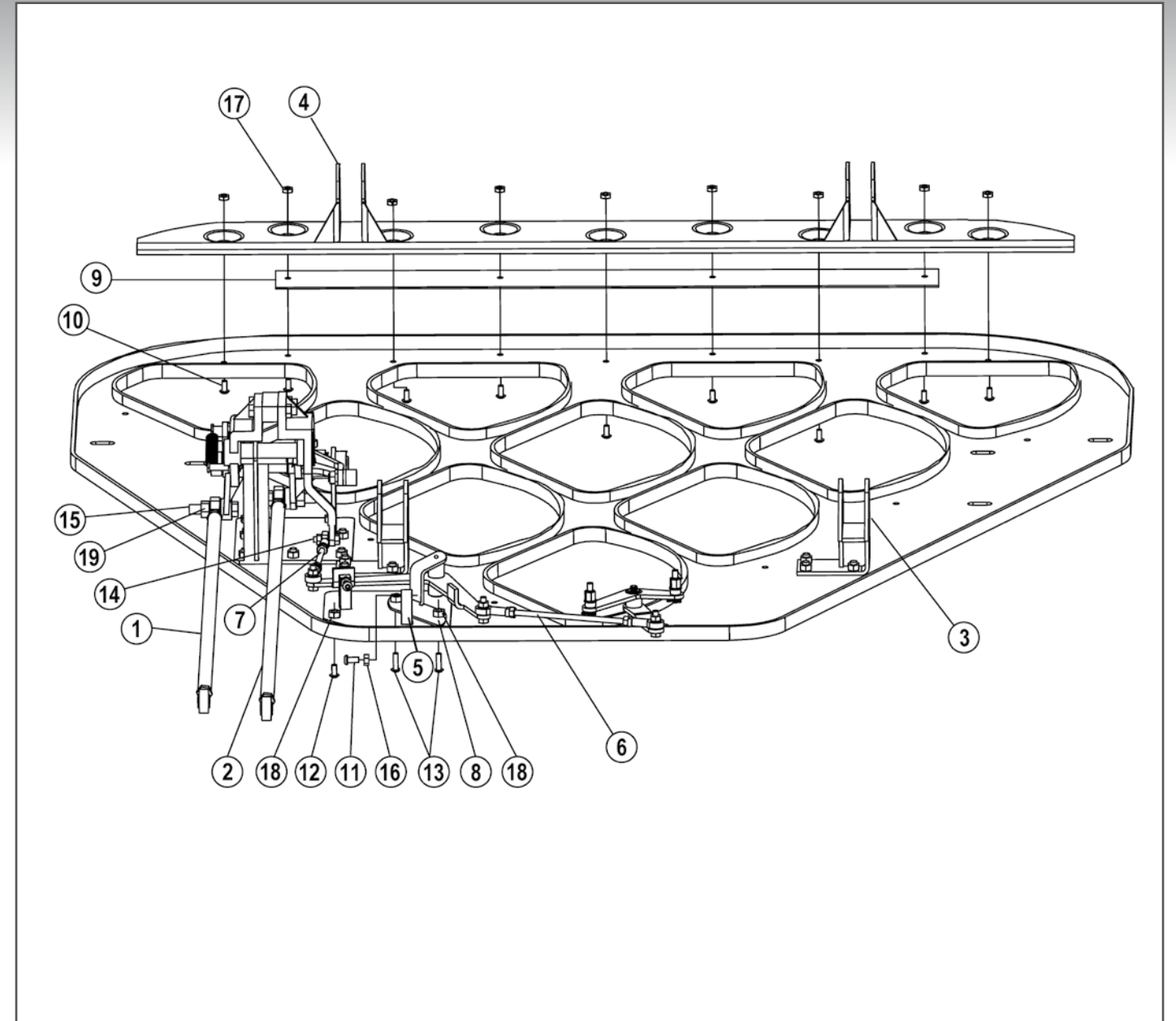
## TABLE & CROSSBEAM ASSEMBLY - STEEL TABLE



### TABLE & CROSSBEAM ASSEMBLY - STEEL TABLE

| ITEM | QTY | PART NUMBER | DESCRIPTION                         | ITEM   | QTY | PART NUMBER   | DESCRIPTION                                    |
|------|-----|-------------|-------------------------------------|--------|-----|---------------|--|
| 1    | 2   | 000 022 782 | Counterbalance Spring               | 25     | 6   | 801 369 161   | Carriage Bolt, 7/16 - 14 X 1                   |
| 2    | 1   | 000 026 042 | Microswitch                         | 26     | 4   | 809 865 245BG | Screw, Hex, 3/8 - 16 X 1-1/2<br>Bag Of 10      |
| 3    | 1   | 070 001 591 | Pin                                 | 27     | 1   | 809 869 325BG | Screw, Hex, 7/16 - 14 X 2, Bag Of 10           |
| 4    | 1   | 070 001 852 | Off Spot Lever                      | 28     | 1   | 809 869 365BG | Screw, Hex, 7/16 - 14 X 2.25, Bag Of 10        |
| 5    | 1   | 070 001 853 | Spring                              | 29     | 1   | 809 869 520   | Screw, Hex, 7/16 - 14 X 3.25                   |
| 6    | 1   | 070 001 854 | Adjustment Screw                    | 30     | 2   | 818 227 202BG | Screw, Round Head, 6-32 X 1-1/4<br>Bag Of 10   |
| 7    | 2   | 070 006 048 | Bolt, Special                       | 31, 32 | 5   | 835 549 002BG | Nut, Hex Jam, 1/4-20, Bag Of 10                |
| 8    | 1   | 070 007 303 | Leveling Rod Spacer                 | 33     | 10  | 838 369 002   | Nut, Center Punch Lock, 7/16-14                |
| 9    | 6   | 070 007 752 | Spacer                              | 34     | 8   | 839 665 002BG | Nut, Stover Lock, 3/8 - 16, Bag Of 10          |
| 10   | 4   | 090 002 028 | Spring Roller Pin                   | 35     | 2   | 843 127 002BG | Nut, Hex Lock, 6-32, Bag Of 10                 |
| 11   | 4   | 090 003 795 | Counterbalance Spring Roller        | 36     | 2   | 844 081 002BG | Nut, Stover Lock, 5/8 - 11, Bag Of 10          |
| 12   | 2   | 090 004 007 | Tube Hanger Bracket                 | 37     | 2   | 879 849 487   | Eyebolt, 1/4 - 20 X 3                          |
| 13   | 2   | 090 005 015 | Torque Tube Bearing                 | 38     | 4   | 900 114 101BG | Sleeve Bearing, .877 X 1.128 X 5/8<br>Bag Of 5 |
| 14   | 2   | 090 005 253 | Tie Rod Assembly                    | 39     | 4   | 945 867 242BG | Washer, Flat, .406 X 1-1/2 X .05<br>Bag Of 10  |
| 15   | 1   | 090 005 509 | Table Support Weldment, 7 Pin Side  | 40     | 6   | 947 271 967   | Washer, Flat, 7/16                             |
| 16   | 1   | 090 005 514 | Table Support Weldment, 10 Pin Side | 41     | 4   | 948 983 212BG | Washer, 21/32 X 1-5/16, Bag Of 10              |
| 17   | 1   | 090 005 597 | Leveling Spacer                     | 42     | 2   | 949 100 002BG | Washer, 59/64 X 15/32 X 1/16<br>Bag Of 10      |
| 18   | 1   | 090 005 645 | Torque Tube Weldment                | 43, 44 | 6   | 963 400 002BG | X Washer, 3/16, Bag Of 10                      |
| 19   | 1   | 090 005 646 | Side Brace, L.H.                    |        |     |               |  |
| 20   | 1   | 090 005 647 | Side Brace, R.H.                    |        |     |               |  |
| 21   | 2   | 090 005 654 | Sleeve, Upright                     |        |     |               |  |
| 22   | 2   | 090 005 662 | Counterbalance Spring, Small        |        |     |               |  |
| 23   | 2   | 710 501 004 | Grease Fitting                      |        |     |               |  |
| 24   | 1   | 744 203 013 | Cable Clamp                         |        |     |               |  |

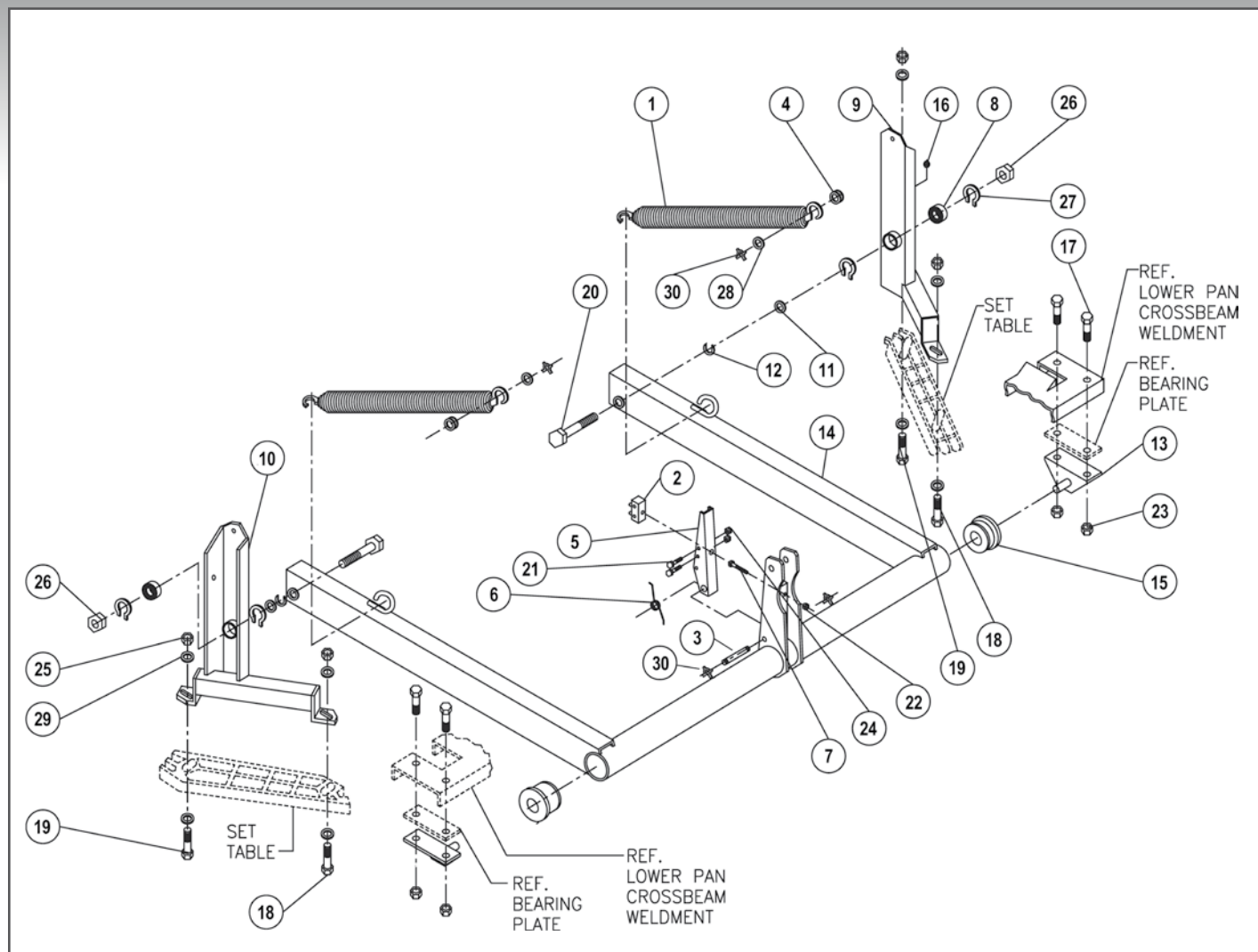
## TABLE & BRACKET ASSEMBLY



### TABLE & BRACKET ASSEMBLY

| ITEM | QTY | PART NUMBER   | DESCRIPTION  | ITEM | QTY | PART NUMBER   | DESCRIPTION   |
|------|-----|---------------|--|------|-----|---------------|---|
| 1    | 1   | 088 005 500   | Respot Tie Rod Assembly                                | 12   | 17  | 808 557 120BG | Screw, Button Head Cap,<br>5/16 - 18 X 3/4, Bag Of 10 |
| 2    | 1   | 088 005 501   | Spot Tie Rod Assembly                                  | 13   | 2   | 808 557 140BG | Screw, Button Head Cap,<br>5/16 - 18 X 7/8, Bag Of 10 |
| 3    | 2   | 090 005 505   | Front Table Bracket                                    | 14   | 4   | 809 849 165BG | Screw, Hex, 1/4 - 20 X 1, Bag Of 10                   |
| 4    | 1   | 090 005 536   | Rear Mounting Bracket                                  | 15   | 2   | 809 869 285   | Screw, Hex, 7/16 - 14 X 1 1/2                         |
| 5    | 1   | 090 005 603   | Base Plate Weldment Actuator                           | 16   | 2   | 835 549 002BG | Nut, Hex Jam, 1/4 - 20, Bag Of 10                     |
| 6    | 1   | 090 005 613   | Rod Assembly, Long                                     | 17   | 13  | 844 049 002BG | Nut, Stover Lock, 1/4 - 20, Bag Of 10                 |
| 7    | 1   | 090 005 615   | Rod Assembly, Short                                    | 18   | 19  | 844 057 002BG | Nut, Stover Lock, 5/16 - 18, Bag Of 10                |
| 8    | 1   | 090 005 637   | Pivot Support Bracket                                  | 19   | 2   | 844 069 002BG | Nut, Stover Lock, 7/16 - 14, Bag Of 10                |
| 9    | 1   | 090 005 656   | Rear Bracket Shim                                      |      |     |               |   |
| 10   | 9   | 808 549 120BG | Screw, Button Head Cap<br>1/4 - 20 X 3/4, Bag Of 10    |      |     |               |   |
| 11   | 1   | 808 549 200BG | Screw, Button Head Cap,<br>1/4 - 20 X 1 1/4, Bag Of 10 |      |     |               |   |

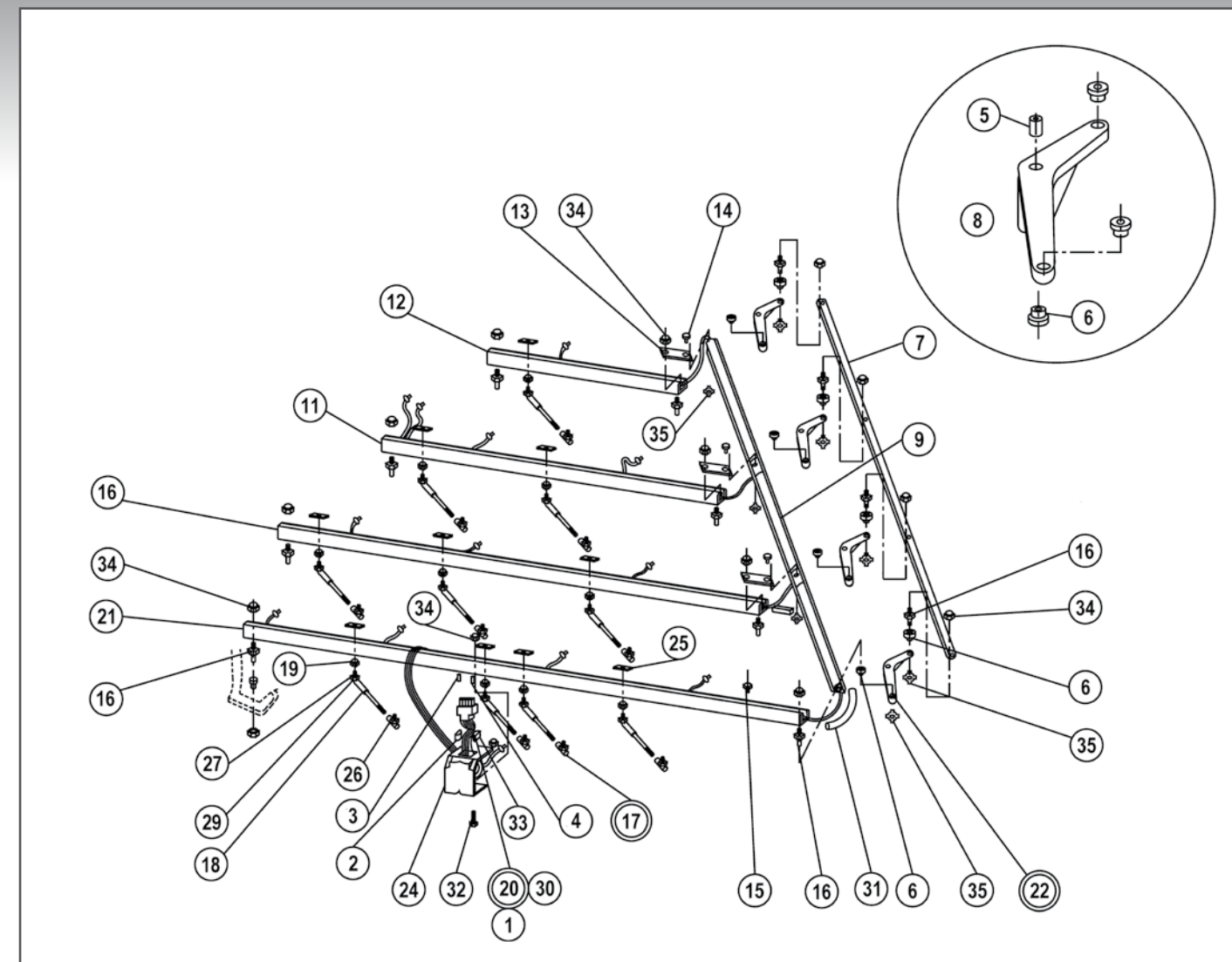
## TABLE TORQUE TUBE ASSEMBLY - ALUMINUM TABLE



### TABLE TORQUE TUBE ASSEMBLY - ALUMINUM TABLE

| ITEM | QTY | PART NUMBER   | DESCRIPTION   | ITEM | QTY | PART NUMBER   | DESCRIPTION  |
|------|-----|---------------|---|------|-----|---------------|--|
| 1    | 2   | 000 022 782   | Spring  | 18   | 2   | 809 869 245BG | Hex Hd. Cap Screw,<br>7/16-14 x 1-1/2 Lg., Bag Of 10           |
| 2    | 1   | 000 026 042   | Microswitch   | 19   | 2   | 809 869 325BG | Hex Hd. Cap Scr.,<br>7/16-14 x 2 Lg., Bag Of 10                |
| 3    | 1   | 070 001 591   | Pin For Table Arm Over<br>Travel Lever Assembly           | 20   | 2   | 809 881 640BG | Hex Hd. Cap Screw,<br>5/8-11 X 4 Lg., Lg., Bag Of 10           |
| 4    | 2   | 070 001 668   | Spring Roller   | 21   | 2   | 818 227 202BG | Sems Round Hd. Screw, 6<br>32 X 1-1/4 Lg., Bag Of 10           |
| 5    | 1   | 070 001 852   | Table Arm Over Travel Lever                               | 22   | 1   | 835 549 002BG | Flex Loc Nut, 1/4 - 20, Bag Of 10                              |
| 6    | 1   | 070 001 853   | Spring  | 23   | 4   | 840 065 002BG | Flex Loc Nut, 3/8 - 16, Bag Of 10                              |
| 7    | 1   | 070 001 854   | Table Arm Over Travel Lever Special Screw                 | 24   | 1   | 843 127 002BG | Keps Hex Lock Nut, 6 - 32, Bag Of 10                           |
| 8    | 2   | 070 002 698   | Spherical Bushing   | 25   | 4   | 844 069 002BG | Stover Lock Nut, 7/16 -14, Bag Of 10                           |
| 9    | 1   | 070 007 295   | Table Support Weldment, R.H.                              | 26   | 2   | 844 081 002BG | Stover Lock Nut, 5/8 - 11, Bag Of 10                           |
| 10   | 1   | 070 007 296   | Table Support Weldment, L.H.                              | 27   | 4   | 919 000 700BG | Retaining Ring, # 5000-156, Bag Of 10                          |
| 11   | 2   | 070 007 302   | Spacer  | 28   | 2   | 945 867 242BG | Plain Washer, 1.50 X .406 X 0.5<br>Bag Of 10                   |
| 12   | 6   | 070 007 752   | Spacer  | 29   | 4   | 949 100 002BG | Plain Washer,<br>.922 O.D. X .468 I.D. X .06 Thk.<br>Bag Of 10 |
| 13   | 2   | 090 004 007   | Torque Tube Hanger Assembly                               | 30   | 4   | 963 400 002BG | X Washer, #9000-12, Bag Of 10                                  |
| 14   | 1   | 090 004 008   | Table Torque Tube Weldment<br>New Part Number 090 005 645 |      |     |               |  |
| 15   | 2   | 090 005 015   | Torque Tube Bearing                                       |      |     |               |  |
| 16   | 2   | 710 501 009   | Grease Fitting, Alemite # 3006                            |      |     |               |  |
| 17   | 4   | 809 865 245BG | Hex Hd. Cap Screw,<br>3/8-16 x 1-1/2 - Lg., Bag Of 10     |      |     |               |  |

## TABLE & WIREWAY ASSEMBLY - ALUMINUM TABLE

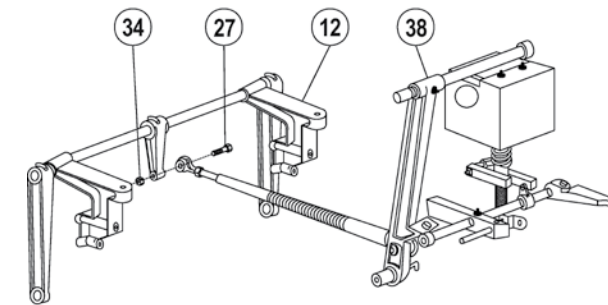
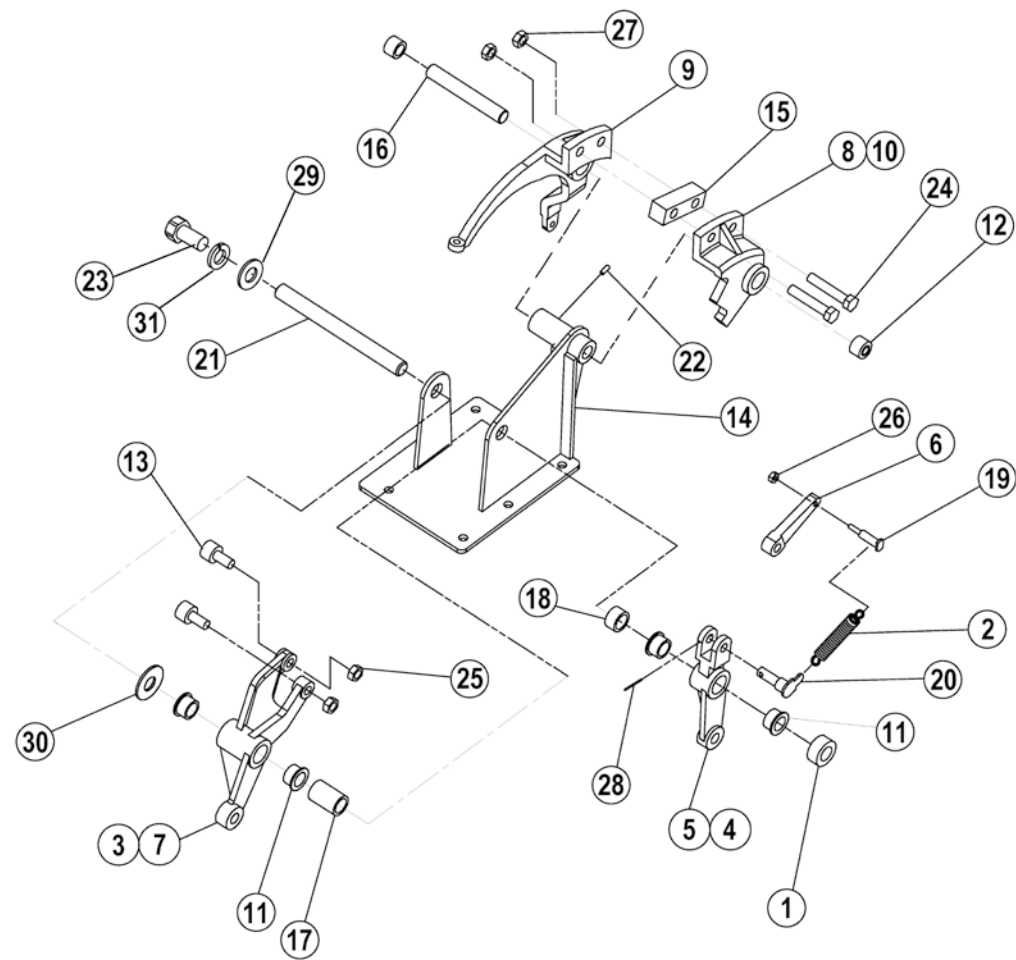


### TABLE & WIREWAY ASSEMBLY - ALUMINUM TABLE

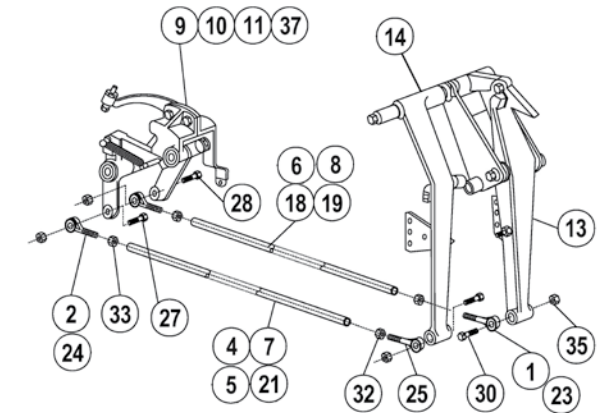
| ITEM   | PART NUMBER   | DESCRIPTION                                  | ITEM | QTY           | PART NUMBER                               | DESCRIPTION |
|--------|---------------|--|------|---------------|---|-------------|
| 1      | 000 025 079   | Block Male 14 Pin                            | 21   | 070 006 669   | Link 7 Pin                                |             |
| 2      | 000 025 556BG | Locking Spring Catch, Bag Of 2               | 22** | 070 007 623** | Lever Respot Ass'y (Lever. With Item 6)** |             |
| 3      | 000 028 441BG | Guide Socket, Bag Of 10                      | 23   | 090 002 020   | Link Body                                 |             |
| 4      | 000 028 442BG | Guide Pin, Bag Of 10                         | 24   | 090 002 538   | Table Connector Bracket                   |             |
| 5      | 070 002 652BG | Bushing Sleeve (Used In Item 8), Bag Of 20   | 25   | 724 507 002BG | Tinnerman Nut, Bag Of 10                  |             |
| 6      | 070 002 653BG | Bushing Flanged Respot Lever, Bag Of 20      | 26   | 730 023 015   | Shell Cup Ass'y                           |             |
| 7      | 070 002 671   | Link Respot Connector                        | 27   | 730 027 019   | Stud                                      |             |
| 8*     | 070 002 678*  | Lever Respot Assy (Lever. With Items 5 & 6)* | 28   | 730 035 025   | Clip (Brown)                              |             |
| 9      | 070 002 766   | Link Wireway                                 | 29   | 730 036 025   | Clip (Silver)                             |             |
| 10     | 070 002 768   | Link 8 Pin                                   | 30   | 760 011 197BG | Pin Wire Terminal, Bag Of 20              |             |
| 11     | 070 002 769   | Link 9 Pin                                   | 31   | 770 008 009   | Poly Spirap 5"                            |             |
| 12     | 070 002 770   | Link 10 Pin                                  | 32   | 813 949 082   | Hex Hd. Screw. 1/4 - 20 X 1/2 Lg.         |             |
| 13     | 070 002 771   | Plate  | 33   | 834 821 000BG | Nut Hx, 4-40 Brass, Bag 10                |             |
| 14     | 070 002 772BG | Pin, Bag Of 10                               | 34   | 844 049 002BG | Stover Nut 1/4 - 20, Bag Of 10            |             |
| 15     | 070 002 773BG | Grommet, Bag Of 10                           | 35   | 963 200 002BG | X Washer, Bag Of 10                       |             |
| 16     | 070 002 774BG | Pin, Bag Of 2                                |      |               |   |             |
| 17, 18 | 070 002 814   | Link Assembly                                |      |               |   |             |
| 19     | 070 002 815BG | Spacer Bushing, Bag Of 10                    |      |               |   |             |
| 20     | 070 005 602   | Cable  |      |               |   |             |

\* For Use In Pinpotters Made Prior To Oct. 1972.

\*\* For Use In Pinpotters Made After Oct. 1972.



SHUTTLE TIE ROD ASSEMBLY



SPOT & RESPOT TIE ASSEMBLY

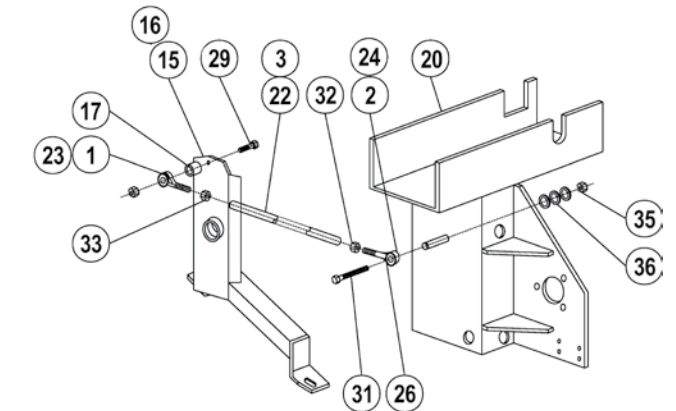


TABLE ROD ASSEMBLY

## TIE ROD BRACKET ASSEMBLY

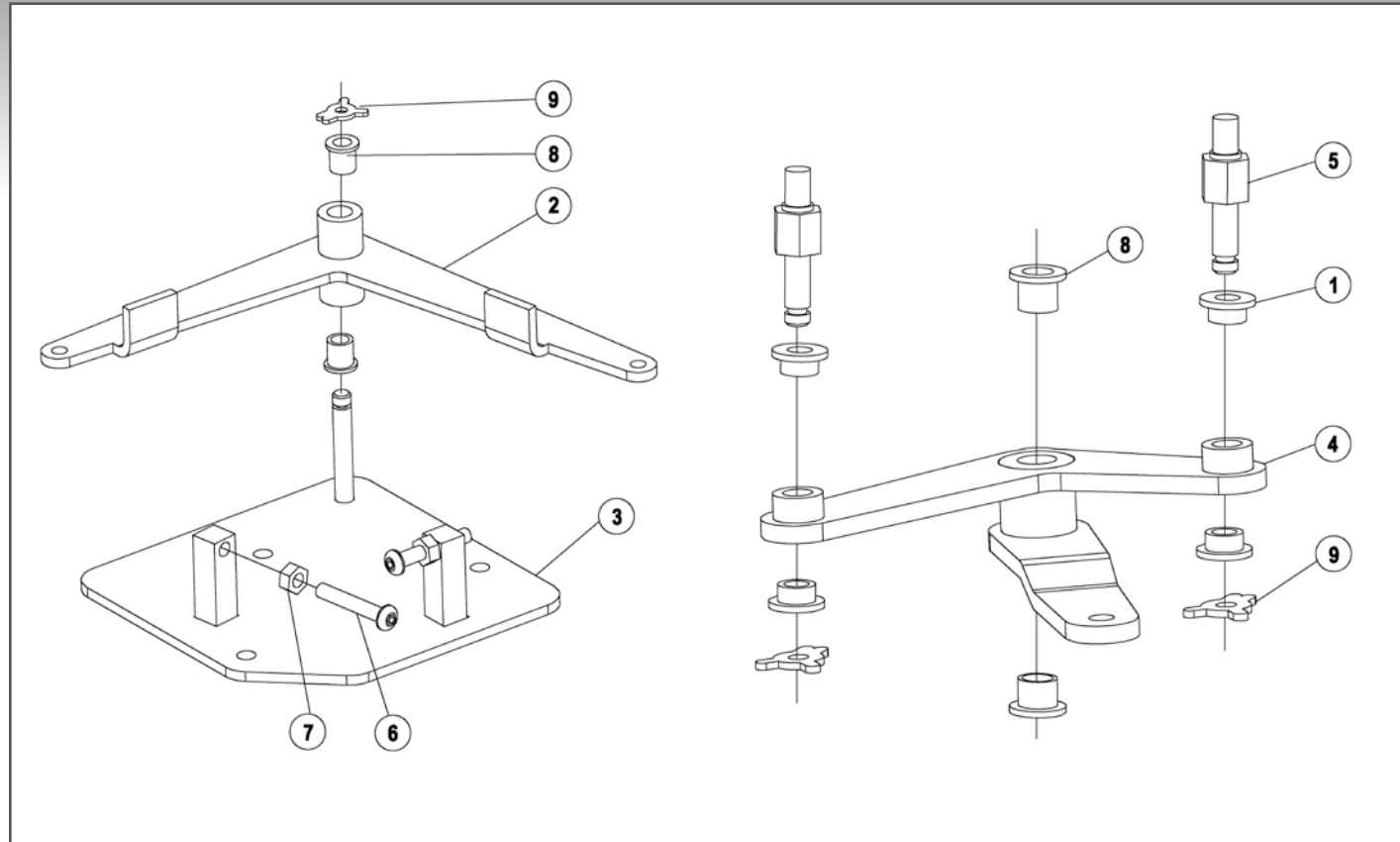
| ITEM | QTY | PART NUMBER   | DESCRIPTION  |
|------|-----|---------------|--|
| 1    | 1   | 000 021 423   | Shaft Collar   |
| 2    | 1   | 070 001 807   | Respot Lever Spring                                    |
| 3    | 1   | 070 002 578   | Spot Lever Assembly<br>Includes Items 7 and 11         |
| 4    | 1   | 070 002 579   | Finger Lever Assy<br>Includes Items 5 and 11           |
| 5    | 1   | 070 002 589   | Finger Lever - Not Available Separately                |
| 6    | 1   | 070 002 590   | Finger Link  |
| 7    | 1   | 070 002 599   | Spot Lever - Not Available Separately                  |
| 8    | 1   | 070 002 724   | Shifter Link - Not Available Separately                |
| 9    | 1   | 070 002 725   | Cam Link   |
| 10   | 1   | 070 002 727   | Shifter Link & Bearing Assy<br>Includes Items 8 and 12 |
| 11   | 4   | 070 002 745BG | Flanged Bearing, .6265 X .814 X 1/2<br>Bag Of 10       |
| 12   | 2   | 070 002 781   | Needle Bearing   |
| 13   | 2   | 070 002 816   | Cam Follower   |
| 14   | 1   | 088-005-503   | Tie Rod Bracket  |
| 15   | 1   | 090 005 520   | Spacer   |
| 16   | 1   | 090 005 521   | Shaft, Short Side                                      |
| 17   | 1   | 090 005 532   | Spacer   |

| ITEM | QTY | PART NUMBER   | DESCRIPTION                                     |
|------|-----|---------------|---|
| 18   | 1   | 090 005 533   | Spacer  |
| 19   | 1   | 090 005 629   | Pin   |
| 20   | 1   | 090 005 631   | Pivot Weldment                                  |
| 21   | 1   | 090 005 655   | Shaft   |
| 22   | 1   | 807 249 060BG | Setscrew, 1/4 - 20 X 3/8, Bag Of 10             |
| 23   | 1   | 809 865 125BG | Screw, Hex, 3/8 - 16 X 3/4, Bag Of 10           |
| 24   | 2   | 809 865 325BG | Screw, Hex, 3/8 - 16 X 2, Bag Of 10             |
| 25   | 2   | 840 066 002BG | Nut, Flex Lock, Thin, 3/8 - 24<br>Bag Of 10     |
| 26   | 1   | 843 140 002BG | Nut, Hex Lock, 10 - 32, Bag Of 10               |
| 27   | 2   | 844 065 002BG | Nut, Stover Lock, 3/8 - 16, Bag Of 10           |
| 28   | 1   | 913 423 120BG | Spring Pin, 1/8 X 3/4, Bag Of 10                |
| 29   | 1   | 948 767 132BG | Washer, Flat, 13/32 X 13/16 X 1/16<br>Bag Of 10 |
| 30   | 1   | 948 983 212BG | Washer, Flat, 21/32 X 1-5/16<br>Bag Of 10       |
| 31   | 1   | 951 164 002BG | Washer, Split Lock, 3/8, Bag Of 10              |

## TIE ROD ASSEMBLIES

| ITEM | PART NUMBER | DESCRIPTION   |
|------|-------------|---|
| 1    | 000 025 004 | 7/16 RH Rod End W/ Grease Fitting                         |
| 2    | 000 025 005 | 7/16 LH Rod End W/ Grease Fitting                         |
| 3    | 070 001 557 | Table Tie Rod   |
| 4    | 088 005 500 | Respot Tie Rod Assy<br>Steel Table, Black Tie Rod Bracket |
| 5    | 070 001 601 | Respot Rod Assy - Aluminum Table                          |
| 6    | 070 001 602 | Spot Rod Assy - Aluminum Table                            |
| 7    | 070 001 606 | Respot Tie Rod - Rod Only                                 |
| 8    | 070 001 607 | Spot Rod Only - Aluminum Table                            |
| 9    | 070 002 578 | Spot Lever Assembly                                       |
| 10   | 070 002 727 | Shifter Link Assembly                                     |
| 11   | 070 002 728 | Cam Link Assembly   |
| 12   | 070 006 358 | Bracket Assy For Bin                                      |
| 13   | 070 006 481 | Spot Link Assembly  |
| 14   | 070 006 492 | Respot Arm Link Assembly                                  |
| 15   | 070 007 295 | Table Support Weldment R.H.                               |
| 16   | 070 007 296 | Table Support Weldment L.H. (Not Shown)                   |
| 17   | 070 007 303 | Spacer, 7/16 I.D.   |
| 18   | 088 005 501 | Spot Tie Rod Assy<br>Steel Table, Black Tie Rod Bracket   |
| 19   | 090 005 651 | Spot Tie Rod Assy<br>Steel Table, Silver Tie Rod Bracket  |
| 20   | 090 004 001 | Crossbeam Weldment  |

| ITEM | PART NUMBER                                 | DESCRIPTION   |
|------|---|---|
| 21   | 090 005 251                                 | Tie Rod Assy Respot   |
| 22   | 090 005 253                                 | Tie Rod Assy  |
| 23   | 090 005 264                                 | End Fitting, R.H. (Grease-Less)                             |
| 24   | 090 005 265                                 | End Fitting L.H. (Grease-Less)                              |
| 25   | 710 501 013                                 | Grease Fitting  |
| 26   | 710 501 014                                 | Grease Fitting  |
| 27   | 809 865 245BG                               | Hex Hd. Cap Screw, 3/8 - 16 X 1-1/2 Lg<br>Bag Of 10         |
| 28   | 809 869 285                                 | Hex Hd. Cap Screw 7/16 - 14 X 1 - 3/4 Lg.                   |
| 29   | 809 869 325BG                               | Hex Hd. Cap Screw, 7/16 - 14 x 2 Lg, Bag Of 10              |
| 30   | 809 869 365BG                               | Hex Hd. Cap Screw 7/16 - 14 X 2- 1/4 Lg.<br>Bag Of 10       |
| 31   | 809 869 405BG                               | Hex Hd. Cap Screw R.H.7/16 - 14 X 2-1/2 Lg<br>Bag Of 10     |
| 32   | 835 570 002BG                               | Hex Jam Nut, 7/16 - 20 R.H., Bag Of 10                      |
| 33   | 835 670 002BG                               | Hex Jam Nut 7/16 - 20. L.H., Bag Of 10                      |
| 34   | 844 065 002BG                               | Flex Loc Nut, 3/8 - 16, Bag Of 10                           |
| 35   | 844 069 002BG                               | Nut-Stvr-Lk 7/16 - 14 (Bag 10)                              |
| 36   | 949 100 002BG                               | Plain Washer, 15/32 I.D. X 59/64 Od X 1/16 Thk<br>Bag Of 10 |
| 37   | See Page 22 - 23 For Parts Of This Assembly |   |
| 38   | See Page 8 For Parts Of This Assembly       |   |



FRONT ACTUATOR & CONNECTOR ASSEMBLIES

| ITEM | QTY | PART NUMBER   | DESCRIPTION  |
|------|-----|---------------|--|
| 1    | 4   | 070 002 630BG | Flanged Bearing, .252 X .315 X .218<br>Bag Of 20     |
| 2    | 1   | 090 005 600   | Actuator Lever Weldment                              |
| 3    | 1   | 090 005 603   | Actuator Base Weldment                               |
| 4    | 1   | 090 005 607   | Front Connecting Link                                |
| 5    | 2   | 090 005 612   | Front Connecting Link Pin, 7 Pin                     |
| 6    | 2   | 808 549 200BG | Screw, Button Head Cap,<br>1/4-20 X 1-1/4, Bag Of 10 |
| 7    | 2   | 835 549 002BG | Nut, Hex Jam, 1/4 - 20<br>Bag Of 10                  |
| 8    | 4   | 900 205 081BG | Flanged Bearing, .315 X .44 X .5<br>Bag Of 5         |
| 9    | 3   | 963 400 002BG | X-Washer, 3/16, Bag Of 10                            |

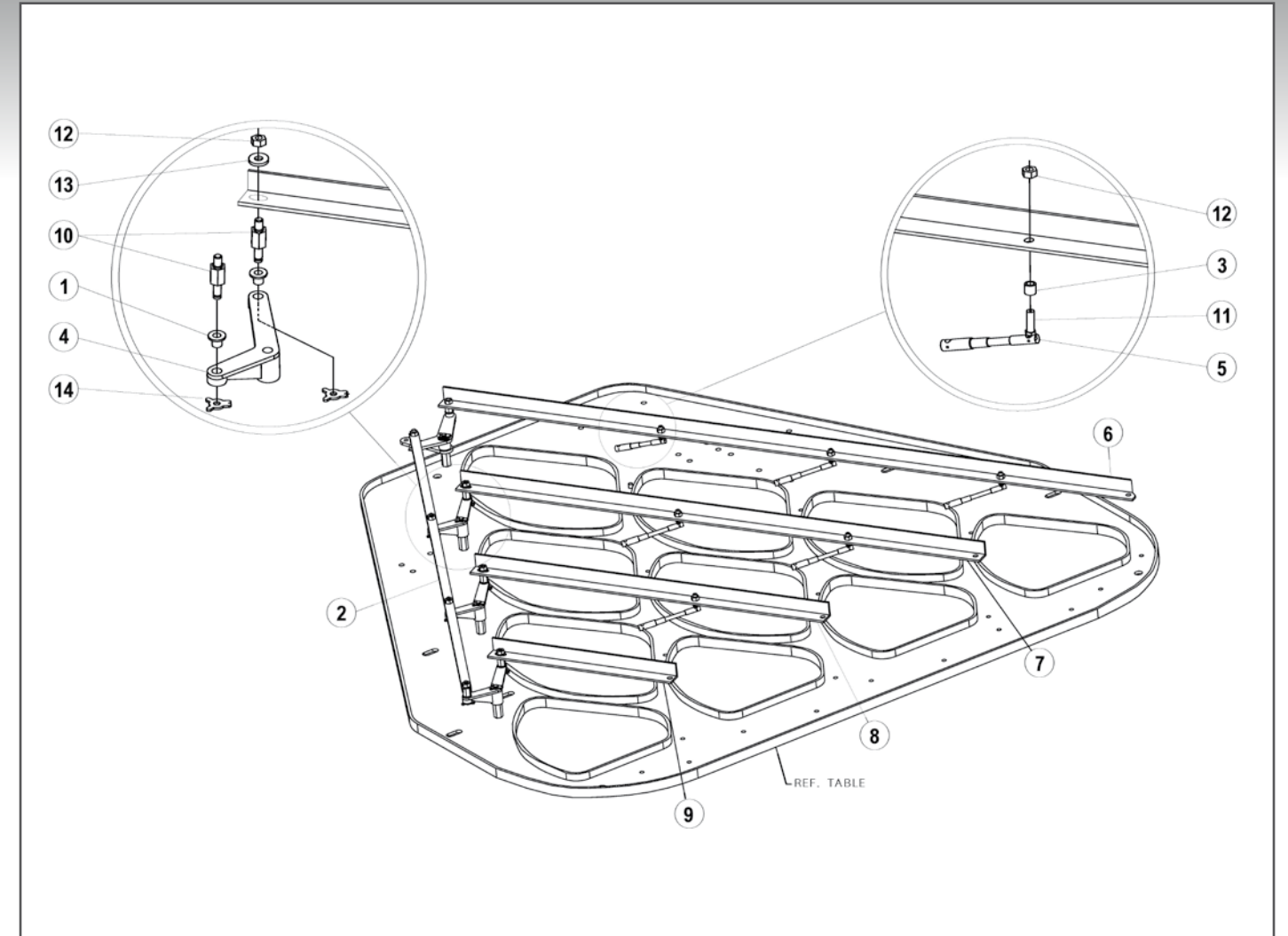
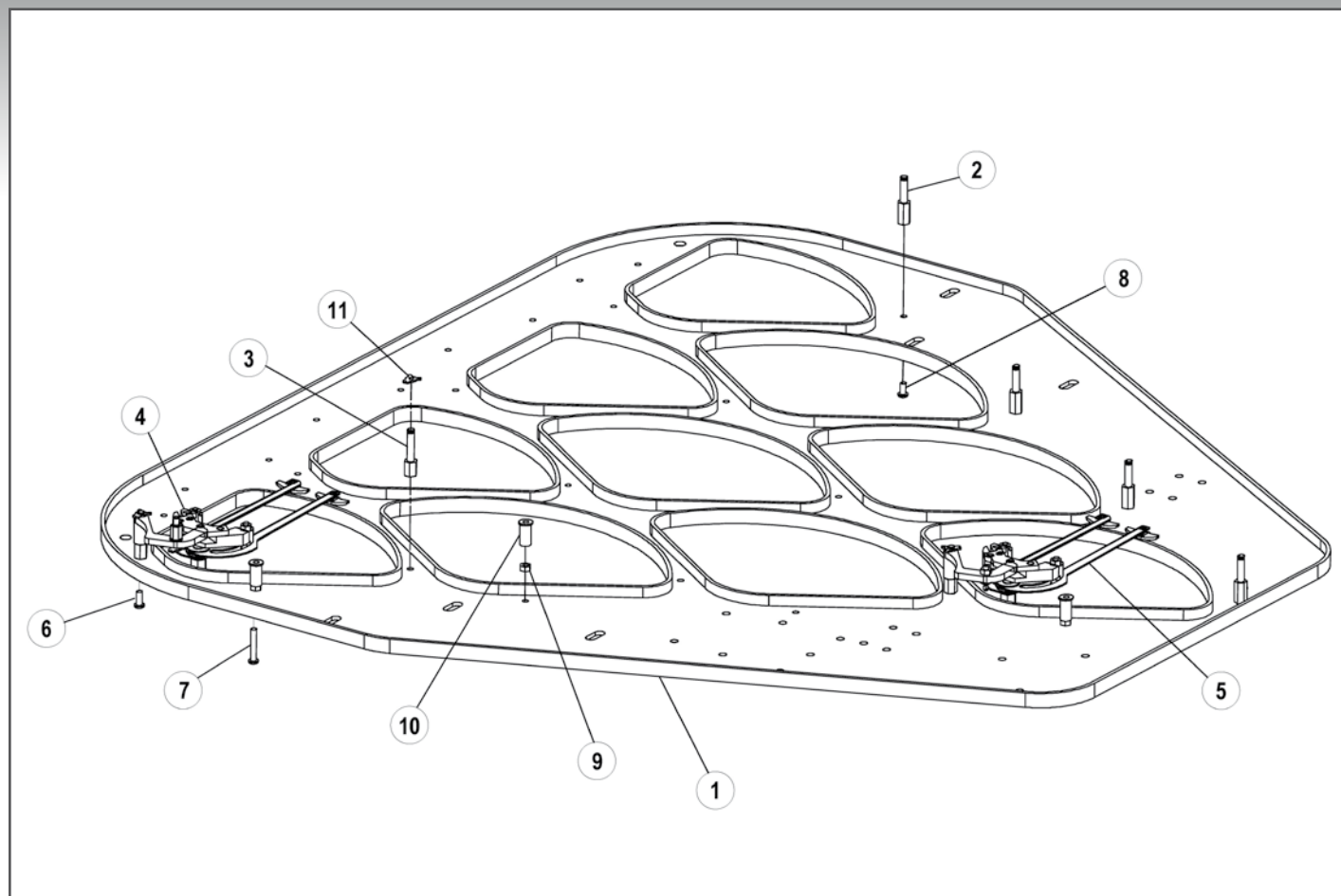


TABLE & RESPOT LINKS

| ITEM | QTY | PART NUMBER   | DESCRIPTION   |
|------|-----|---------------|---|
| 1    | 6   | 070 002 653BG | Flanged Bearing, .252 X .315 X .38<br>Bag Of 20             |
| 2    | 1   | 070 002 671   | Respot Link   |
| 4    | 3   | 070 007 623   | Lever, Respot Assembly<br>Includes Item 1 And Lever Casting |
| 3    | 6   | 070 002 815BG | Spacer Bushing<br>Bag Of 10                                 |
| 5    | 6   | 090 002 020   | Link Body   |
| 6    | 1   | 090 005 555   | 7-Pin Link  |
| 7    | 1   | 090 005 556   | 8-Pin Link  |
| 8    | 1   | 090 005 557   | 9-Pin Link  |
| 9    | 1   | 090 005 558   | 10-Pin Link   |
| 10   | 6   | 090 005 571   | Pin, 8, 9, & 10 Links                                       |
| 11   | 6   | 730 027 019   | Stud, Ball Head   |
| 12   | 14  | 844 049 002BG | Nut, Stover Lock, 1/4 - 20<br>Bag Of 10                     |
| 13   | 3   | 948 753 102BG | Washer, Flat, 9/32 X 5/8 X 1/16<br>Bag Of 10                |
| 14   | 12  | 963 400 002BG | X-Washer, 3/16<br>Bag Of 10                                 |



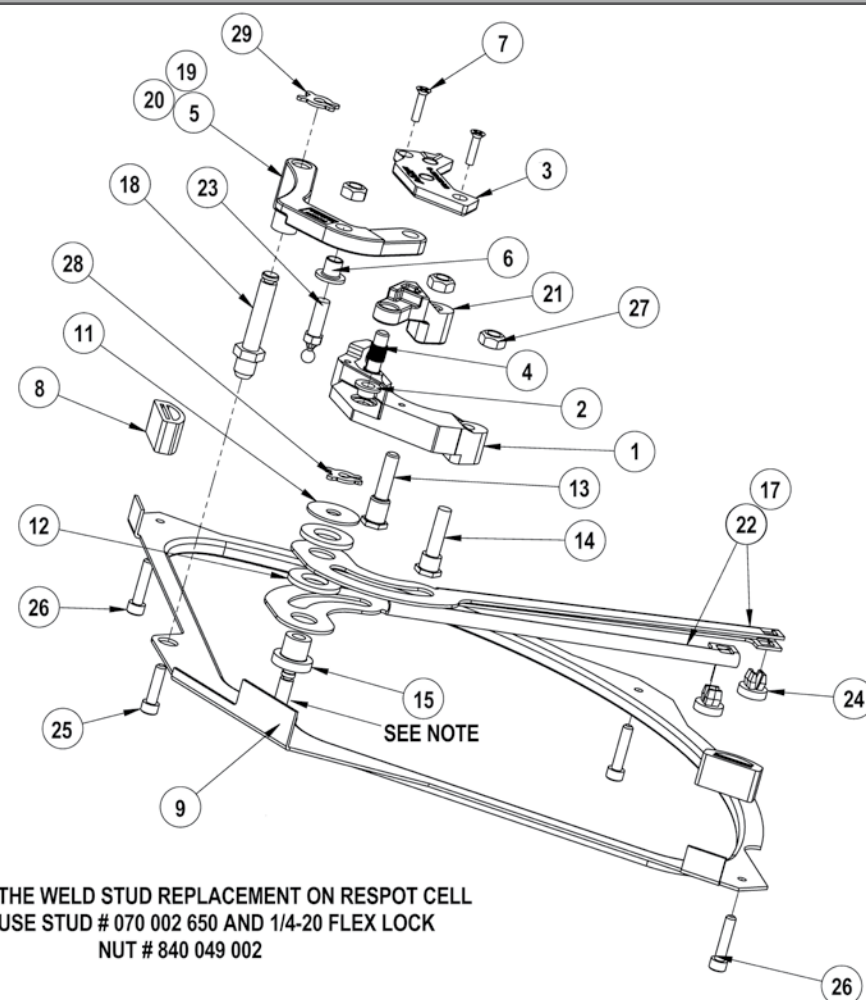
## TABLE & RESPOT CELLS - STEEL



### TABLE & RESPOT CELLS - STEEL

| ITEM | QTY | PART NUMBER   | DESCRIPTION                          |
|------|-----|---------------|--------------------------------------|
| 1    | 1   | 088 005 502   | Table                                |
| 2    | 4   | 090 005 503   | Link Connector Pivot                 |
| 3    | 10  | 090 005 504   | Respot Pivot                         |
| 4    | 4   | 090 005 540   | Respot Cell Assy Cells 7 Through 10  |
| 5    | 6   | 090 005 544   | Respot Cell Assy Cells 1 Through 6   |
| 6    | 10  | 801 149 100   | Carriage Bolt, 1/4 - 20 X 5/8        |
| 7    | 10  | 801 149 247   | Carriage Bolt, 1/4 - 20 X 1-1/2      |
| 8    | 4   | 809 149 100   | Screw, Button Head Cap, 1/4-20 X 5/8 |
| 9    | 10  | 844 049 002BG | Nut, Stover Lock, 1/4 - 20 Bag Of 10 |
| 10   | 10  | 855 349 010   | Well Nut, 1/4 - 20 X 1               |
| 11   | 10  | 963 400 002BG | X Washer, 3/16, Bag Of 10            |

## RESPOT CELL ASSEMBLY - ALUMINUM TABLE



NOTE: FOR THE WELD STUD REPLACEMENT ON RESPOT CELL FRAME, USE STUD # 070 002 650 AND 1/4-20 FLEX LOCK NUT # 840 049 002

### RESPOT CELL ASSEMBLY - ALUMINUM TABLE

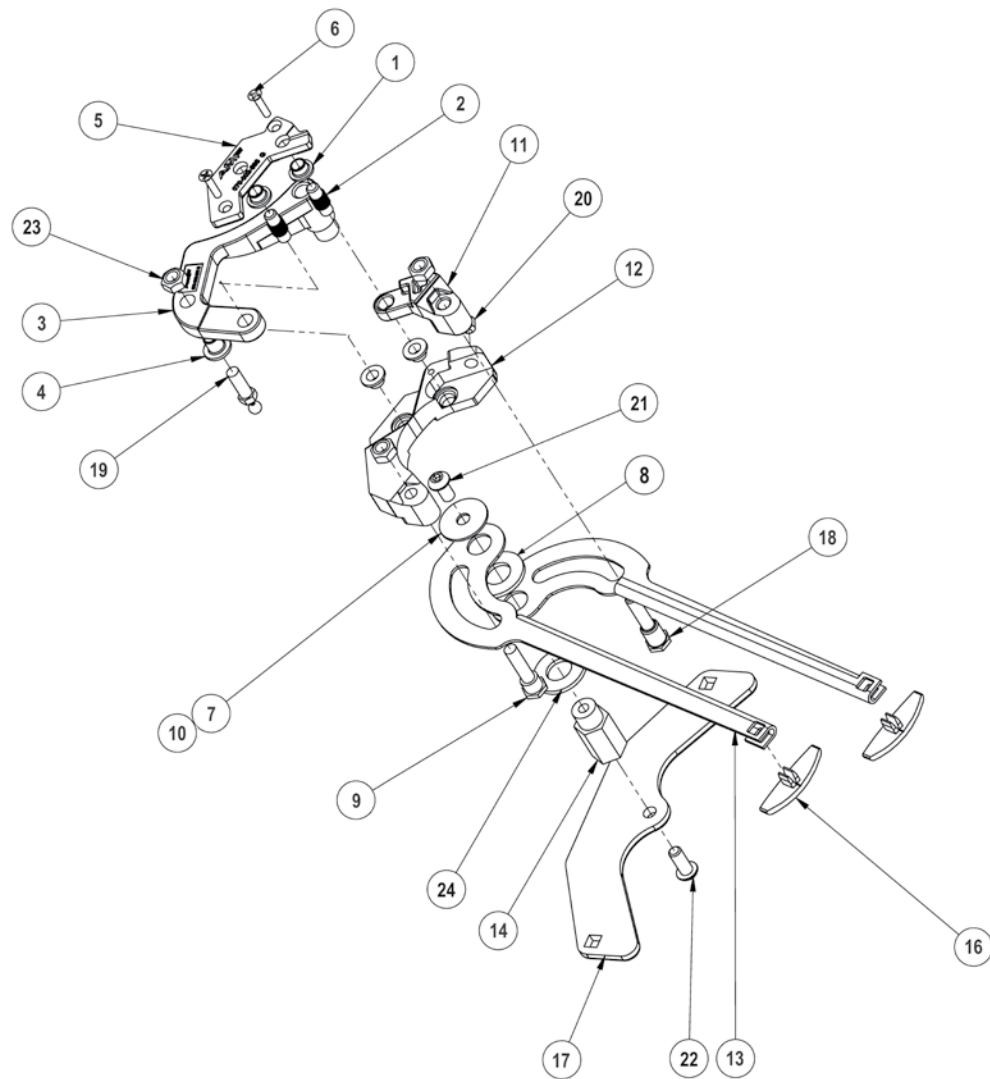
| ITEM | QTY | PART NUMBER   | DESCRIPTION   |
|------|-----|---------------|---|
| 1    | 10  | 070 002 629   | Yoke, Arm Assy<br>Includes Items 2 And Yoke Casting                 |
| 2    | 40  | 070 002 630BG | Bushing, Yoke, Bag Of 20  |
| 3    | 10  | 070 002 644   | Yoke Plate Assy<br>Includes Item 2 And Yoke Plate                   |
| 4    | 20  | 070 002 645   | Shaft   |
| 5    |     | 070 002 651   | Lever Respot Yoke Pivot   |
| 6    | 10  | 070 002 653BG | Bushing, Flange, Bag Of 20  |
| 7    | 20  | 070 002 750BG | Screw, Bag Of 10  |
| 8    | 20  | 070 002 752BG | Bumper Extrusion, Bag Of 2  |
| 9    | 20  | 070 002 792   | Frame Respot Weld   |
| 10   |     | 070 006 674   | Respot Cell Assy. (For #7 Cell Only)<br>Not Shown                   |
| 11   | 10  | 070 007 192BG | Washer, Respot Cell, Bag Of 10                                      |
| 12   | 20  | 070 007 193BG | Spacer, Respot Cell, Bag Of 10                                      |
| 13   | 10  | 070 007 194BG | Stud, Long, Bag Of 5  |
| 14   | 10  | 070 007 195BG | Stud, Short, Bag Of 5   |
| 15   | 10  | 070 007 196BG | Bushing, Flange, Bag Of 5   |
| 16   |     | 070 007 200   | Respot Cell Assy.<br>(For Cells 1 Thru 6 And 8 Thru 10) - Not Shown |
| 17   | 20  | 070 007 261   | Finger Assy - Includes Items 22 And 24                              |
| 18   | 10  | 070 007 617BG | Stud, Pivot, 5/16 Dia. Shaft, Bag Of 10                             |

| ITEM | QTY | PART NUMBER   | DESCRIPTION   |
|------|-----|---------------|---|
| 19   | 1   | 070 007 618   | Lever Assy<br>Includes Items 4, 6 and Lever Casting**                     |
| 20   | 1   | 070 007 620   | Lever Assy, #7 Cell<br>Includes Items 4, 6 And Lever Casting***           |
| 21   |     | 090 004 113   | Arm Yoke Respot   |
| 22   | 20  | 090 004 119   | Finger, Respot (Only For Use With<br>Inserts 792-506-033 And 090-005-617) |
| 23   |     | 730 027 019   | Stud Ball Head  |
| 24   |     | 792 506 033   | Insert, Respot, Circular Pad  |
| 25   | 10  | 808 640 121BG | Screw, Soc. Hd. Cap, #10 - 32 X 3/4 Lg.<br>Bag Of 10                      |
| 26   | 30  | 808 640 141BG | Screw, Soc. Hd. Cap, #10 - 32 X 7/8 Lg.<br>Bag Of 10                      |
| 27   | 29  | 844 049 002BG | Stover Locknut, 1/4 - 20, Bag Of 10                                       |
| 28   | 10  | 963 200 002BG | X-Washer, #9000 - 8, Bag Of 10  |
| 29   | 10  | 963 400 002BG | X-Washer, #9000 - 12, Bag Of 10   |

\*\* Item 6 Is Pressed In From The Underside On This Assembly; Used In Cells 1-6 And 8-10.

\*\*\* Item 11 Is Pressed In From The Topside On This Assembly; Used In 7-Pin Cell Only.

## RESPOT CELL ASSEMBLY - CELLS 1 THROUGH 6

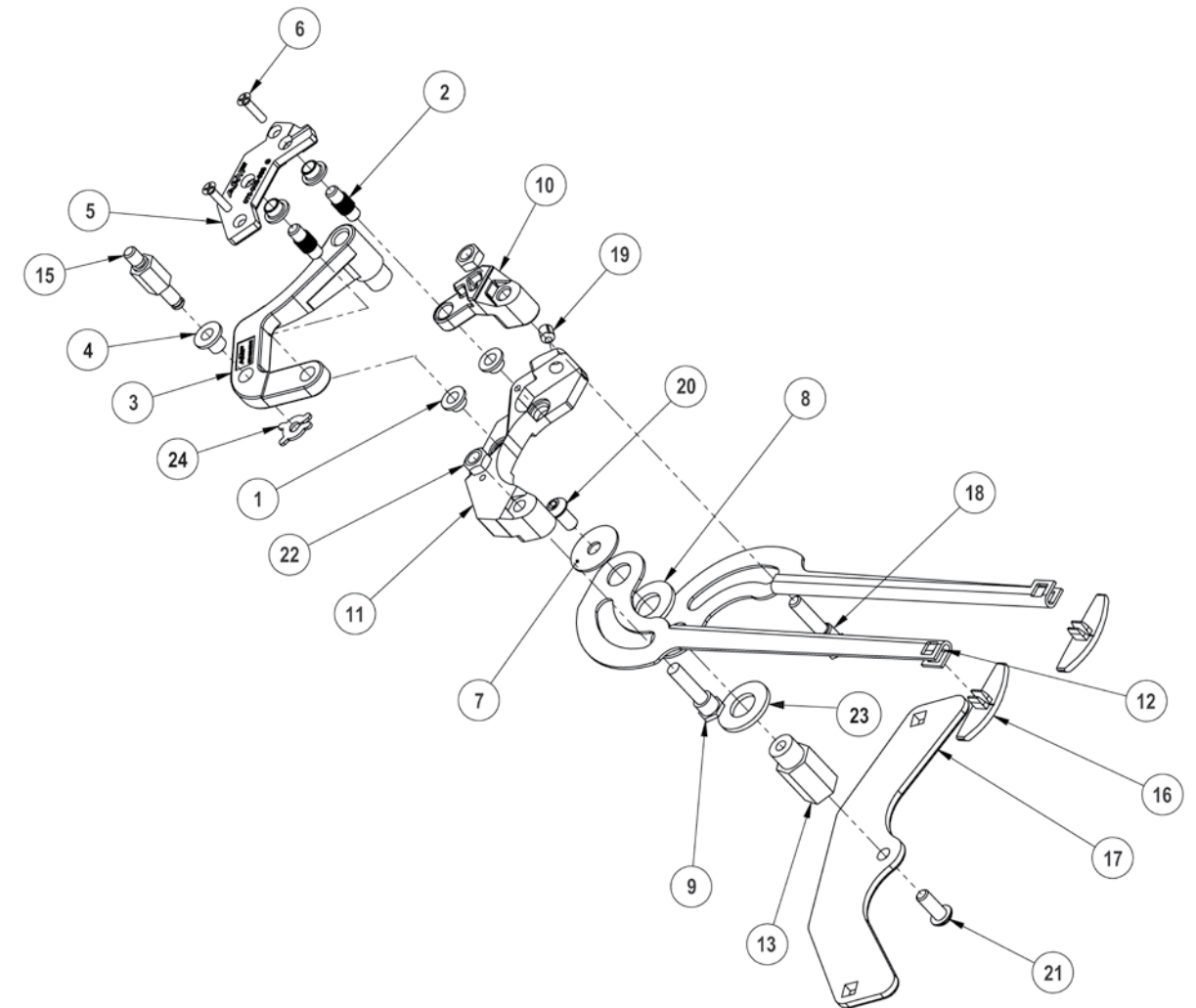


### RESPOT CELL ASSEMBLY - CELLS 1 THROUGH 6

| ITEM | PART NUMBER   | DESCRIPTION  |
|------|---------------|--|
| 1    | 070 002 630BG | Flange Bearing, .252 X .315 X .218<br>Bag Of 20                                    |
| 2    | 070 002 645   | Lever Assembly Shaft   |
| 3    | 070 002 651   | Respot Lever   |
| 4    | 070 002 653BG | Flanged Bearing, .252 X .315 X .38<br>Bag Of 20                                    |
| 5    | 070 002 695   | Yoke Plate, Not Available Separately,<br>Purchase As 070002644 Yoke Plate Assembly |
| 6    | 070 002 750BG | Screw, Flat Head, Bag Of 10  |
| 7    | 070 007 192BG | Washer, Respot Cell, Bag Of 10   |
| 8    | 070 007 193BG | Respot Cell Spacer, Bag Of 10  |
| 9    | 070 007 195BG | Stud, Short, Bag Of 5  |
| 10   | 070 007 651BG | Washer-Nylon-Dist Bag Of 10  |
| 11   | 090 004 113   | Respot Yoke Arm  |
| 12   | 090 004 118   | Respot Yoke  |

| ITEM | PART NUMBER   | DESCRIPTION                             |
|------|---------------|---|
| 13   | 090 004 119   | Respot Finger                           |
| 14   | 090 005 522   | Respot Finger Bushing                   |
| 15   | 090 005 544   | Respot Cell Assembly, Cells 1 Through 6 |
| 16   | 090 005 617   | Finger Insert                           |
| 17   | 090 005 632   | Finger Pivot Wing                       |
| 18   | 090 005 640   | Stud, Long                              |
| 19   | 730 027 019   | Stud, Ball Head                         |
| 20   | 807 650 050   | Setscrew, 1/4 - 28 X 5/16               |
| 21   | 808 549 080BG | 1/4-20 X 1/2 Screw Sobt                 |
| 22   | 809 149 100   | Screw, Button Hd W/Patch 1/4 - 20 X 5/8 |
| 23   | 844 049 002BG | Nut, Stover Lock, 1/4 - 20, Bag Of 10   |
| 24   | 948 975 172BG | 17/32 X 1-1/16 Washer, Bag Of 10        |

## RESPOT CELL ASSEMBLY - CELLS 7 THROUGH 10

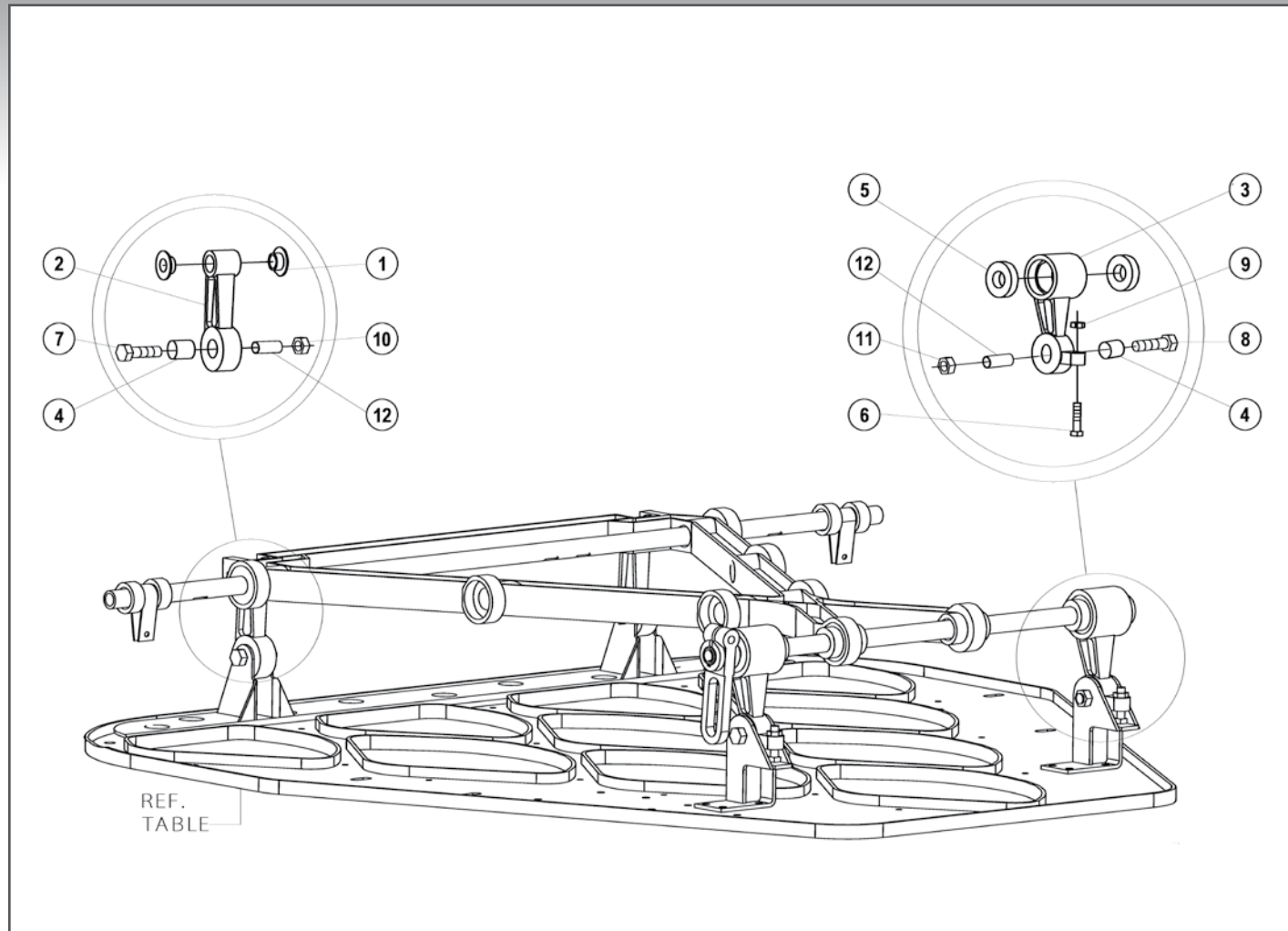


### RESPOT CELL ASSEMBLY - CELLS 7 THROUGH 10

| ITEM | PART NUMBER   | DESCRIPTION  |
|------|---------------|--|
| 1    | 070 002 630BG | Flanged Bearing, .252 X .315 X .218<br>Bag Of 20                                   |
| 2    | 070 002 645   | Lever Assembly Shaft   |
| 3    | 070 002 651   | Respot Lever   |
| 4    | 070 002 653BG | Flanged Bearing, .252 X .315 X .38<br>Bag Of 20                                    |
| 5    | 070 002 695   | Yoke Plate, Not Available Separately,<br>Purchase As 070002644 Yoke Plate Assembly |
| 6    | 070 002 750BG | Screw, Flat Head, Bag Of 10  |
| 7    | 070 007 192BG | Washer, Respot Cell, Bag Of 10   |
| 8    | 070 007 193BG | Respot Cell Spacer, Bag Of 10  |
| 9    | 070 007 195BG | Stud, Short, Bag Of 5  |
| 10   | 090 004 113   | Respot Yoke Arm  |
| 11   | 090 004 118   | Respot Yoke  |
| 12   | 090 004 119   | Respot Finger  |

| ITEM | PART NUMBER   | DESCRIPTION  |
|------|---------------|--|
| 13   | 090 005 522   | Respot Finger Bushing                                |
| 14   | 090 005 540   | Respot Cell Assembly, Cells 7 - 10                   |
| 15   | 090 005 571   | Pin, 8-9-10 Links                                    |
| 16   | 090 005 617   | Finger Insert  |
| 17   | 090 005 632   | Finger Pivot Wing                                    |
| 18   | 090 005 640   | Stud, Long   |
| 19   | 807 650 050   | Setscrew, 1/4 - 28 X 5/16                            |
| 20   | 808 549 080BG | Screw, Button Head Cap, 1/4 - 20 X 1/2,<br>Bag Of 10 |
| 21   | 809 149 100   | Screw, Button Ho W/Patch, 1/4 - 20 X 5/8             |
| 22   | 844 049 002BG | Nut, Stover Lock, 1/4 - 20, Bag Of 10                |
| 23   | 948 975 172BG | Washer, 17/32 X 1-1/16, Bag Of 10                    |
| 24   | 963 200 002BG | X-Washer, Bag Of 10                                  |

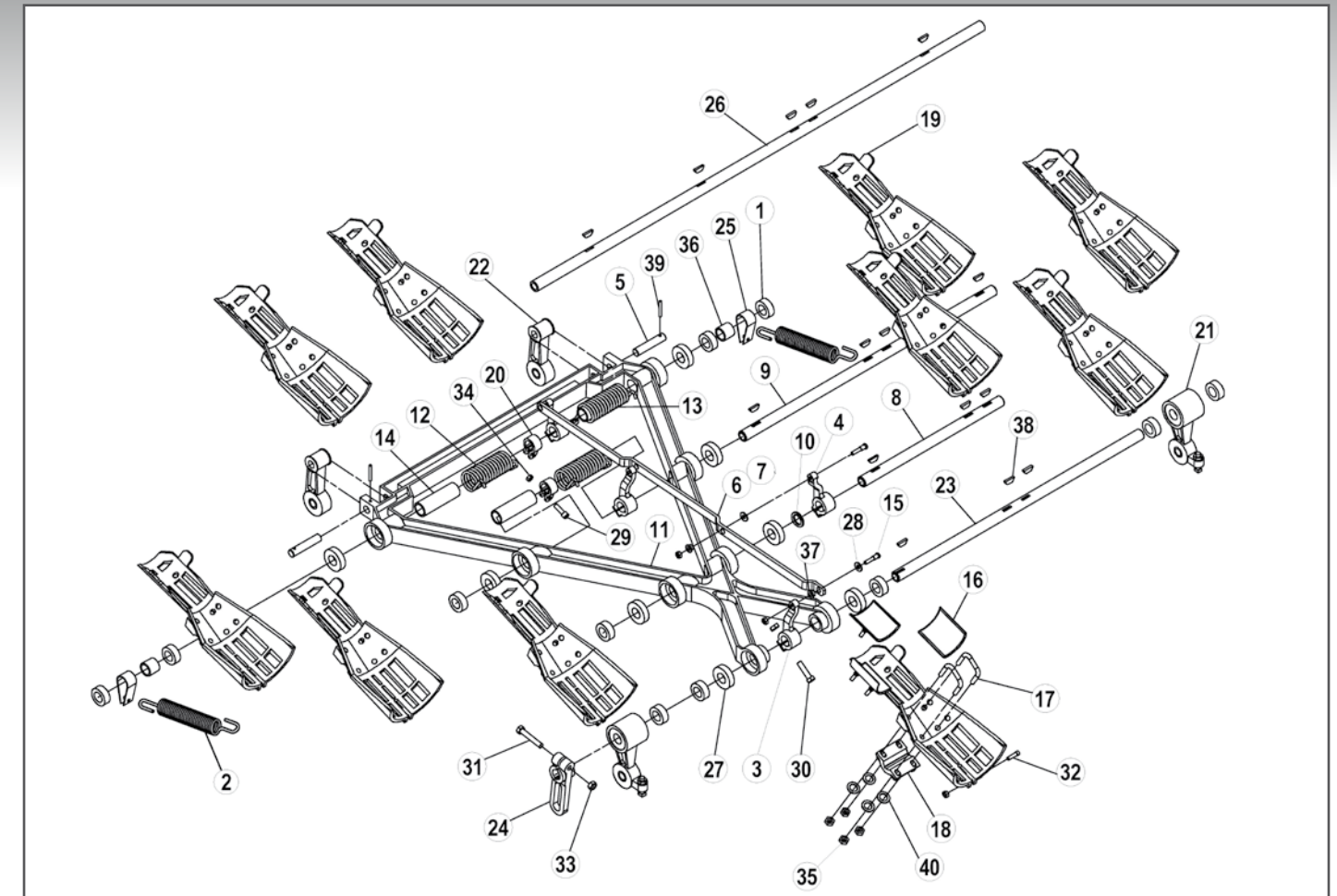
# X-FRAME TO TABLE CONNECTIONS



## X-FRAME TO TABLE CONNECTIONS

| ITEM | QTY | PART NUMBER   | DESCRIPTION                                     |
|------|-----|---------------|---|
| 1    | 4   | 000 023 114BG | Flanged Bearing, .628 X .815 X .06<br>Bag Of 10 |
| 2    | 2   | 090 005 547   | Rear Leg  |
| 3    | 2   | 090 005 564   | Front Leg                                       |
| 4    | 4   | 090 005 593   | Axle Tube (Sleeve)                              |
| 5    | 4   | 190 001 490   | Ball Bearing, .875 X 1.875 X .5                 |
| 6    | 1   | 806 265 240BG | Setscrew, 3/8 - 16 X 1.5<br>Bag Of 10           |
| 7    | 2   | 809 865 325BG | Screw, Hex, 3/8 - 16 X 2<br>Bag Of 10           |
| 8    | 2   | 809 869 365   | Screw, Hex, 3/8 - 16 X 2 1/4                    |
| 9    | 2   | 835 565 002   | Nut, Hex Jam, 3/8 - 16                          |
| 10   | 2   | 844 065 002BG | Nut, Stover Lock, 3/8 - 16<br>Bag Of 10         |
| 11   | 2   | 844 069 002BG | Nut, Stover Lock, 7/16 - 14<br>Bag Of 10        |
| 12   | 4   | 900 110 161BG | Bushing, Bag Of 5                               |

# YOKE & SPOTTING CUP ASSEMBLY



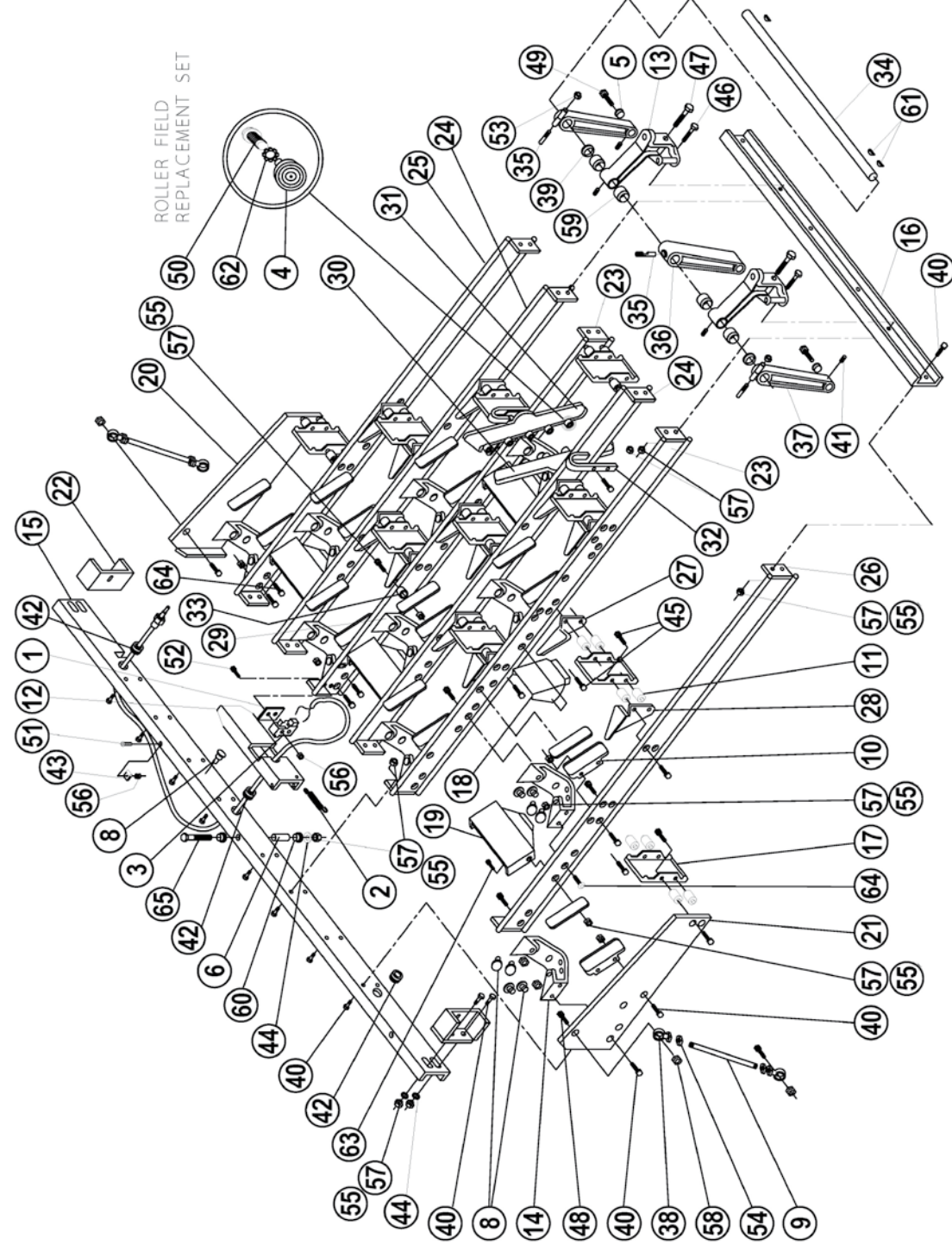
## YOKE & SPOTTING CUP ASSEMBLY

| ITEM | QTY | PART NUMBER   | DESCRIPTION   |
|------|-----|---------------|---|
| 1    | 12  | 000 025 549   | Lock Collar With Setscrew                             |
| 2    | 2   | 000 026 032   | Spring  |
| 3    | 2   | 070 002 602   | Inner Lever   |
| 4    | 2   | 070 002 603   | Outer Lever   |
| 5    | 2   | 070 002 609   | Pin   |
| 6    | 1   | 070 002 611   | Link - Not Available Separately                       |
| 7    | 1   | 070 002 612   | Link Assembly - Includes Items 6 and 37               |
| 8    | 1   | 070 002 616   | Shaft #2  |
| 9    | 1   | 070 002 617   | Shaft #3  |
| 10   | 1   | 070 002 620   | Spacer  |
| 11   | 1   | 070 002 683   | Yoke, Casting Only *                                  |
| 12   | 2   | 070 002 688   | Spring, R.H. Wound, (7 PS & #3 Shaft)                 |
| 13   | 1   | 070 002 689   | Spring, L.H. Wound, R.H. Side (10 PS)                 |
| 14   | 3   | 070 002 719   | Spring Sleeve   |
| 15   | 4   | 070 002 723BG | Pin, Actuator Shaft, Bag Of 10                        |
| 16   | 30  | 070 002 784   | Spotting Cup Liner                                    |
| 17   | 20  | 070 002 787BG | U-Bolt, Bag Of 2                                      |
| 18   | 10  | 070 002 788   | Cap   |
| 19   | 10  | 070 002 809   | Spotting Cup Casting Only **                          |
| 20   | 3   | 090 004 033   | Clamp   |
| 21   | 2   | 090 005 545   | Front Leg Assembly<br>See page 36 For Parts Breakdown |
| 22   | 2   | 090 005 548   | Rear Leg Assembly<br>See page 36 For Parts Breakdown  |

| ITEM | QTY | PART NUMBER   | DESCRIPTION  |
|------|-----|---------------|--|
| 23   | 1   | 090 005 553   | Shaft #1   |
| 24   | 1   | 090 005 554   | Arm Actuator   |
| 25   | 2   | 090 005 577   | Spring Hook  |
| 26   | 1   | 090 005 578   | Shaft #4   |
| 27   | 8   | 190 001 490   | Ball Bearing, .875 X 1.875 X .5                        |
| 28   | 4   | 701 310 036BG | Thrust Bearing, Bag Of 10                              |
| 29   | 3   | 809 849 165BG | Screw, Hex, 1/4 - 20 X 1, Bag Of 10                    |
| 30   | 4   | 809 865 245BG | Screw, Hex, 3/8 - 16 X 1-1/2, Bag Of 10                |
| 31   | 1   | 809 865 365BG | Screw, Hex, 3/8 - 16 X 1-1/2, Bag Of 10                |
| 32   | 10  | 810 249 200BG | Screw, Socket Head Cap,<br>1/4 - 20 X 1-1/4, Bag Of 10 |
| 33   | 5   | 839 665 002BG | Nut, Flex Lock, 3/8 - 16, Bag Of 10                    |
| 34   | 17  | 844 049 002BG | Nut, Stover Lock, 1/4 - 20, Bag Of 10                  |
| 35   | 40  | 844 057 002BG | Nut, Stover Lock, 5/16 - 18, Bag Of 10                 |
| 36   | 2   | 900 114 161   | Bearing, 7/8 X 1-1/8 X 1                               |
| 37   | 4   | 900 205 053BG | Flanged Bearing, .315 X .44 X 5/16,<br>Bag Of 5        |
| 38   | 15  | 907 000 600BG | Key, Bag Of 10   |
| 39   | 2   | 913 437 240BG | Spring Pin, 3/16 X 1-1/2, Bag Of 10                    |
| 40   | 40  | 948 761 112BG | Washer, Flat, 11/32 X 1-1/16 X 1/16,<br>Bag Of 10      |

\* Also available as 070-002-623 yoke & bearing assembly which includes bearings (item 27) and spring pins (item 39).

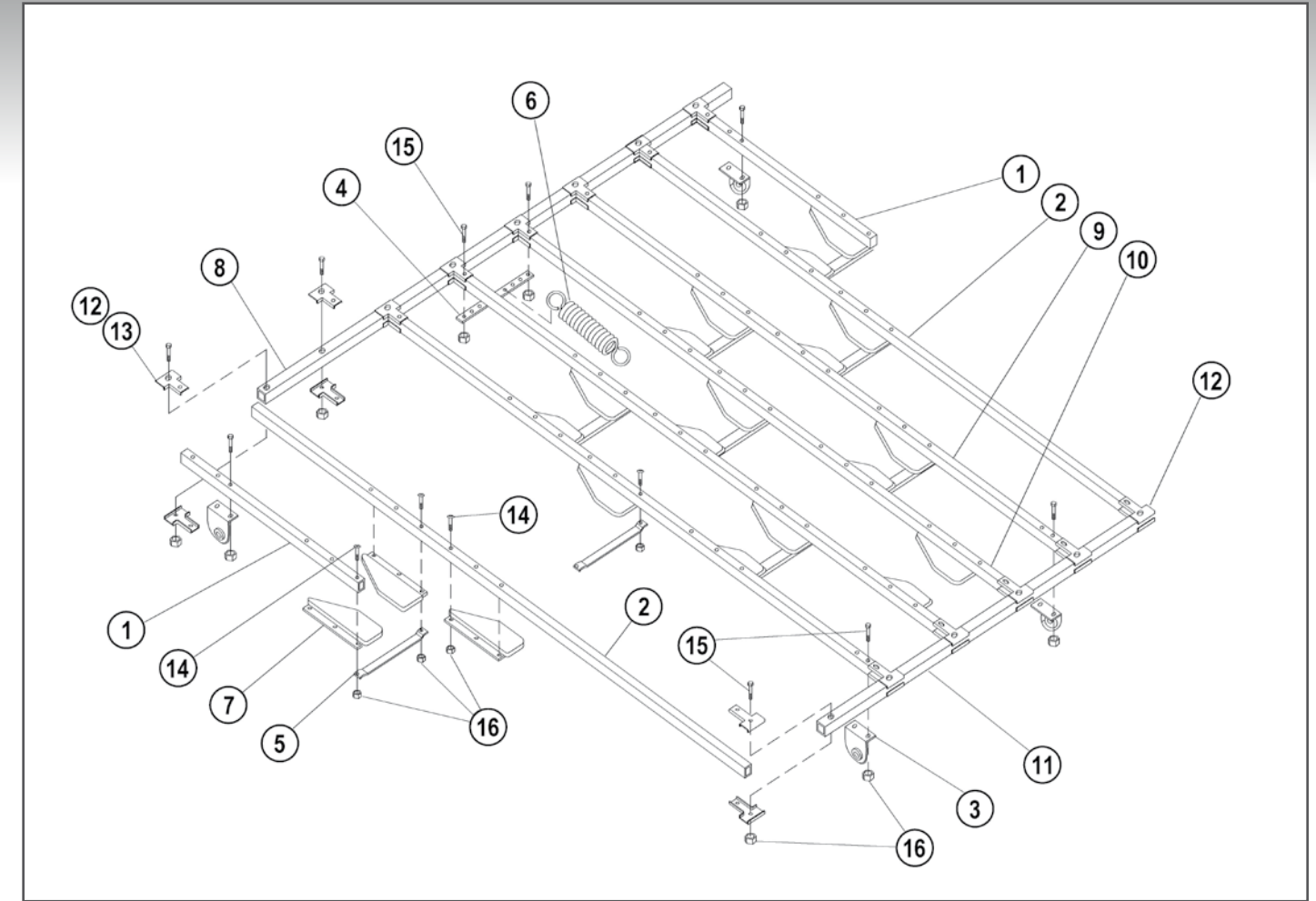
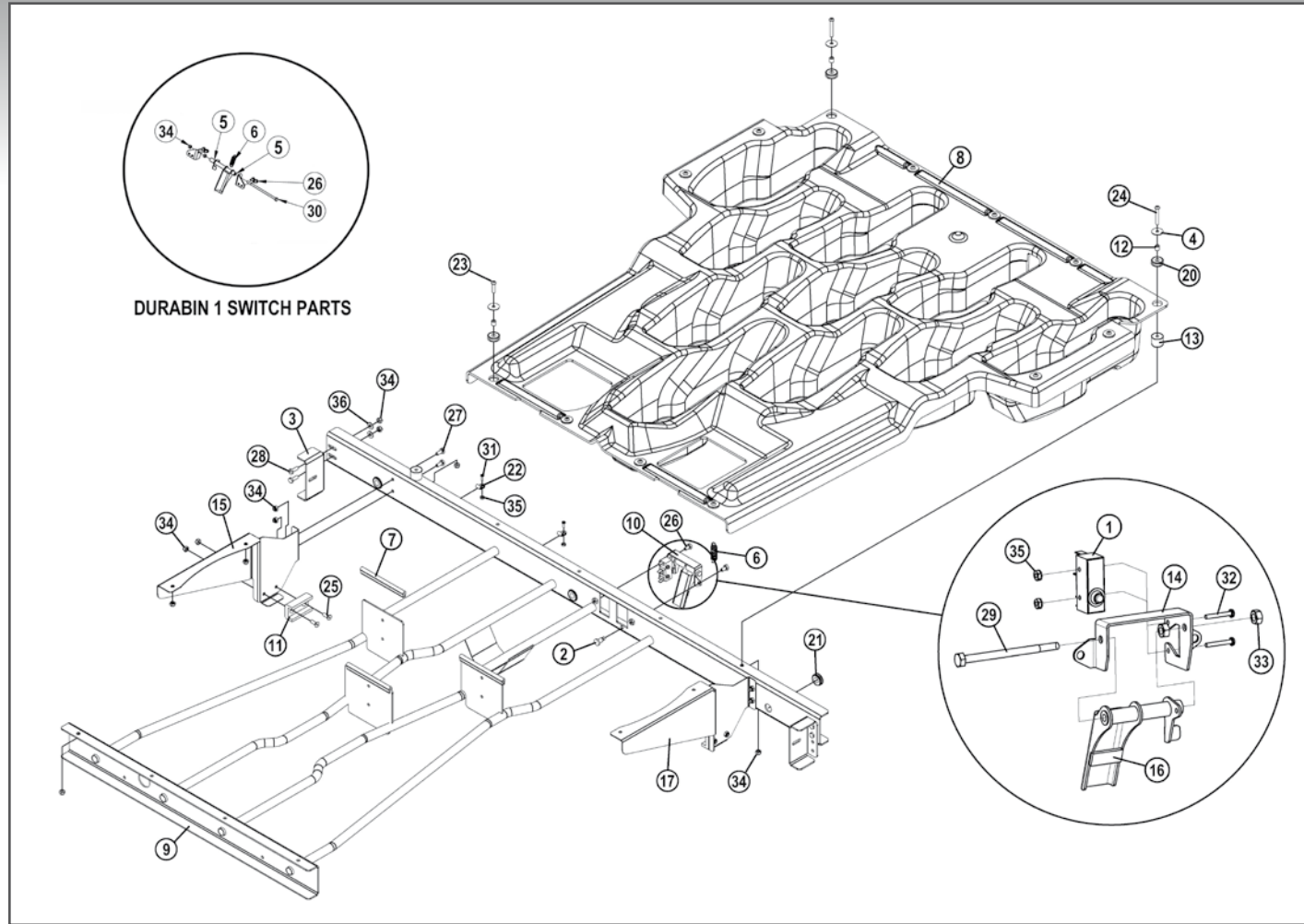
\*\* Also available as 070-002 808 complete assembly - includes Items 16, 17, 19, 32, and 34.



## BIN ASSEMBLY - STEEL

| ITEM | PART NUMBER   | DESCRIPTION  |
|------|---------------|--|
| 1    | 000 021 575   | Insulator  |
| 2    | 000 022 168   | Spring   |
| 3    | 000 026 043   | Microswitch  |
| 4    | 000 026 251BG | Bearing Roller, Threaded, Field Replacement, Bag Of 10 |
| 5    | 000 029 614   | Uniball Bearing  |
| 6    | 070 006 108   | Spacer   |
| 8    | 070 006 142BG | Bumper, Bag Of 10                                      |
| 9    | 070 006 351   | Rod, Bin Assembly                                      |
| 10   | 070 006 353   | Pin Guide  |
| 11   | 070 006 354BG | Shock Mount, Bin Assembly, Bag Of 10                   |
| 12   | 070 006 356   | Switch Actuator  |
| 13   | 070 006 358   | Bracket Assembly                                       |
| 14   | 070 006 359   | Bracket, Bin Assembly                                  |
| 15   | 070 006 360   | Channel Weldment, Long                                 |
| 16   | 070 006 363   | Channel, Short   |
| 17   | 070 006 364   | Spacer, Pin Butt Guide                                 |
| 18   | 070 006 365   | Spacer/Head Guide, Pins 2 & 3                          |
| 19   | 070 006 366   | Spacer/Head Guide, Pins 4, 5, & 6                      |
| 20   | 070 006 369   | Pin Guide, R.H. (10 PS)                                |
| 21   | 070 006 370   | Pin Guide, L.H. (7 PS)                                 |
| 22   | 070 006 371   | Bin Assembly Support Bracket                           |
| 23   | 070 006 372   | Stringer, Center, R.H. (7 PS)                          |
| 24   | 070 006 373   | Stringer, Center, L.H. (10 PS)                         |
| 25   | 070 006 376   | Stringer, Outside, R.H. (10 PS)                        |
| 26   | 070 006 377   | Stringer, Outside, L.H. (7 PS)                         |
| 27   | 070 006 380   | Pin Guide (10 Ps Of Pins 2-6)                          |
| 28   | 070 006 381   | Pin Guide (7 Ps Of Pins 2-6)                           |
| 29   | 070 006 384   | Bracket, #5 Pin Only                                   |
| 30   | 070 006 386   | Track Assembly, L.H. (7 PS)                            |
| 31   | 070 006 388   | Track Assembly, R.H. (10 PS)                           |
| 32   | 070 006 389   | Pin Guide, #1 Pin                                      |
| 33   | 070 006 390   | Spacer   |
| 34   | 070 006 402   | Shaft, Bin Assembly                                    |
| 35   | 070 006 403   | Clamp Stud   |
| 36   | 070 006 408   | Lever  |
| 37   | 070 006 429   | Arm Assembly - Includes Items 5, 41, and Casting       |

| ITEM | PART NUMBER   | DESCRIPTION                                       |
|------|---------------|---|
| 38   | 090 005 250   | Rod End   |
| 39   | 701 329 050BG | Thrust Bearing, .8905 X 1.5 X 1/8 - Bag Of 10     |
| 40   | 709 013 063   | Screw, Hex, M6 X 12 mm                            |
| 41   | 710 501 007   | Grease Fitting                                    |
| 42   | 711 516 020   | Grommet   |
| 43   | 744 107 013   | Clamp, Nylon, 1/8"                                |
| 44   | 785 502 207   | Flat Washer, M6                                   |
| 45   | 809 849 085   | Screw, Hex, 1/4 - 20 X 1/2                        |
| 46   | 809 849 285BG | Screw, Hex, 1/4 - 20 X 1-3/4 - Bag Of 10          |
| 47   | 809 849 485BG | Screw, Hex, 1/4 - 20 X 3 - Bag Of 10              |
| 48   | 809 865 165BG | Screw, Hex, 3/8 - 16 X 1 - Bag Of 10              |
| 49   | 809 865 205BG | Screw, Hex, 3/8 - 16 X 1-1/4 - Bag Of 10          |
| 50   | 813 540 082BG | Screw, Truss Head, 10 - 32 X 1/2 - Bag Of 10      |
| 51   | 818 227 082BG | Screw, Round Head, 8 - 32 X 1/2, Sems - Bag Of 10 |
| 52   | 818 227 162BG | Screw, Round Head, 6 - 32 X 1 - Sems - Bag Of 10  |
| 53   | 831 565 002BG | Nut, Hex, 3/8 - 16 - Bag Of 10                    |
| 54   | 835 566 002   | Nut, Hex Jam, 3/8 - 24                            |
| 55   | 838 670 006   | Nut, Hex, M6                                      |
| 56   | 843 127 002BG | Nut, Hex Lock, 6 - 32 - Bag Of 10                 |
| 57   | 844 049 002BG | Nut, Stover Lock, 1/4 - 20 - Bag Of 10            |
| 58   | 844 065 002BG | Nut, Hex Lock, 3/8 - 16 - Bag Of 10               |
| 59   | 900 114 101BG | Sleeve Bearing, .877 X 5/8 - Bag Of 5             |
| 60   | 900 206 091BG | Flanged Bearing, .378 X .503 X 9/16 - Bag Of 5    |
| 61   | 907 000 600BG | Key, High Profile, Bag Of 10                      |
| 62   | 957 100 002BG | Washer, External Tooth, #10 - Bag Of 10           |
| 63   | Obs See Below | Screw, Hex, M6 X 16 mm                            |
| 64   | Obs See Below | Screw, Button Head, M6 X 12 mm                    |
| 65   | Obs See Below | Screw, Hex, M6 X 100 mm                           |
| 64   | 808 549 080BG | Socket Button Hd Screw, 1/4-20 X 1/2 - Bag Of 10  |
| 57   | 844 049 002BG | Nut, Stover, 1/4-20, Bag Of 10                    |
| 40   | 809 849 085   | Hx Hd Screw, 1/4-20 x 1/2                         |
| 63   | 809 849 125   | Hx Hd Screw, 1/4-20 X 3/4                         |
| 65   | 809 849 605BG | Hx Hd Screw, 1/4-20 X 3-3/4 - Bag Of 10           |



DURABIN

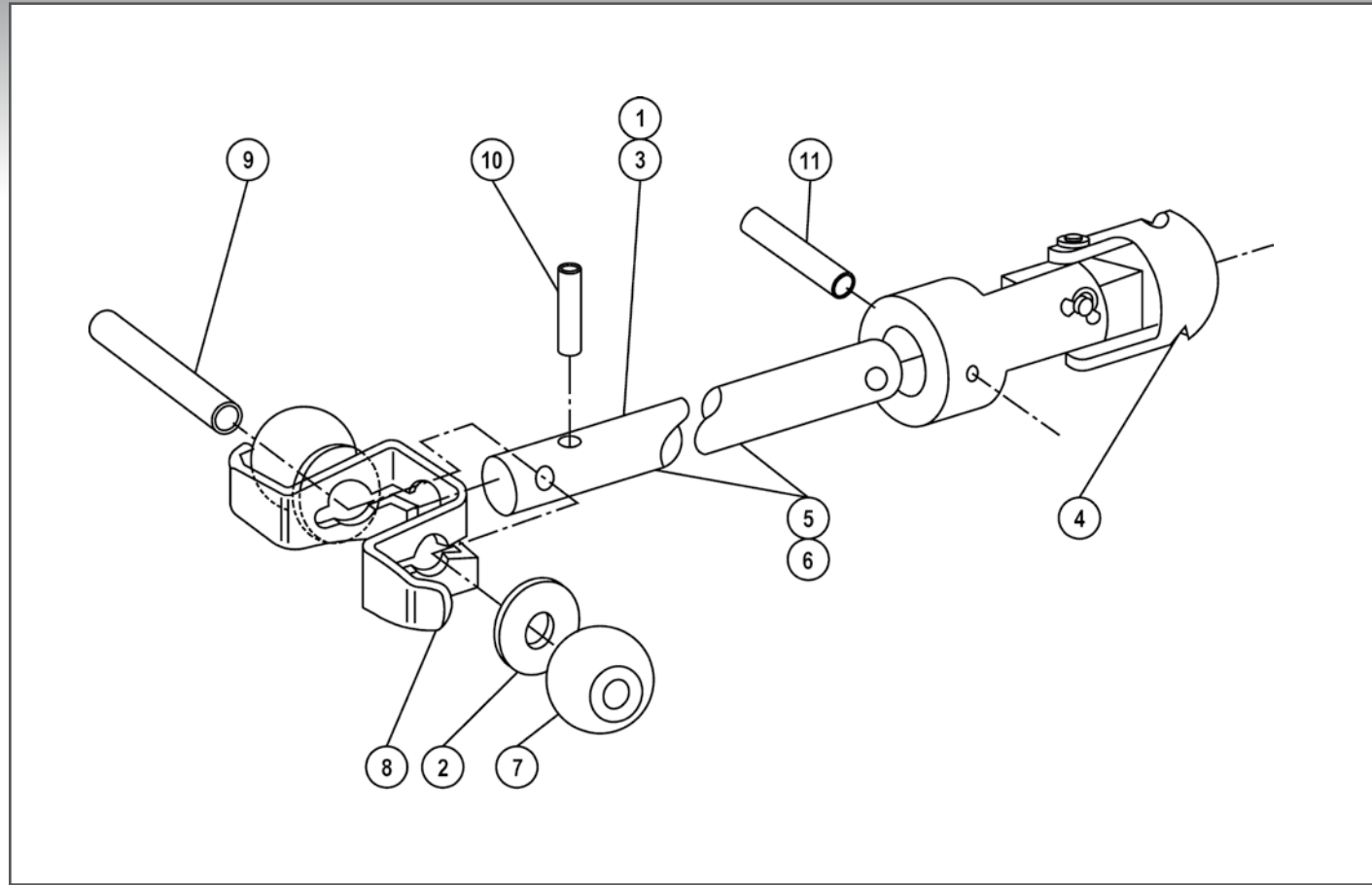
| ITEM | PART NUMBER   | DESCRIPTION   |
|------|---------------|---|
| 1    | 000 026 043   | Switch  |
| 2    | 070 006 142BG | Bumper, Bag Of 10   |
| 3    | 070 006 371   | Support Bracket   |
| 4    | 070 007 192BG | Washer, 1/4 x 1 x .5, Bag Of 10                                 |
| 5    | 088 001 094   | Switch Actuator Weldmnt, Durabin 1                              |
| 6    | 088 001 200   | Durabin Switch Spring   |
| 7    | 088 001 264   | Bin Frame Edge Trim   |
| 8    | 088 001 600   | Durabin 2   |
| 9    | 088 001 601   | Durabin 2 Frame Weldment  |
| 10   | 088 001 602   | Durabin 2 Bin Switch Assembly                                   |
| 11   | 088 001 603   | Shuttle Rear Support Guide                                      |
| 12   | 088 001 604   | Spacer, .25X.375X.375, Steel                                    |
| 13   | 088 001 605   | Hat Replacement Spacer  |
| 14   | 088 001 606   | Durabin 2 Switch Bracket  |
| 15   | 088 001 607   | Durabin 2 Shuttle Support, 7-Side                               |
| 16   | 088 001 608   | Durabin 2 Switch Actuator                                       |
| 17   | 088 001 610   | Durabin 2 Shuttle Support, 10-Side                              |
| 18   | 088 001 617   | Durabin 2 Shuttle Assy - Not Shown                              |
| 19   | 088 001 620   | Durabin 2 Assy And Frame<br>Includes All Durabin 2 Parts Shown. |
| 20   | 711 512 040   | Grommet, 3/8 x 7/8 x 1/4  |
| 21   | 711 516 020   | Grommet, 1-1/16 x 1/2 x 3/8                                     |

| ITEM | PART NUMBER   | DESCRIPTION   |
|------|---------------|---|
| 22   | 744 107 013   | Clamp, Nylon, 3/16                                  |
| 23   | 808 549 160BG | Screw, Button Head, 1/4-20 x 1,<br>Bag Of 10        |
| 24   | 808 549 285   | Screw, Button Head, 1/4-20 x 1-3/4                  |
| 25   | 808 849 120BG | Screw, Socket Flat Head, 1/4-20 x 3/4,<br>Bag Of 10 |
| 26   | 809 849 085   | Screw, Hex, 1/4-20 x 1/2, Grade 8                   |
| 27   | 809 849 100BG | Screw, Hex, 1/4-20 x 5/8, Bag Of 10                 |
| 28   | 809 849 125   | Screw, Hex, 1/4-20 x 3/4                            |
| 29   | 809 849 605BG | Screw, Hex, 1/4-20 x 3-3/4, Bag Of 10               |
| 30   | 809 849 885BG | Screw, Hex Hd, 1/4-20 X 5-1/2",<br>Bag Of 10        |
| 31   | 818 227 082BG | Screw, Philips Pan Head, 6-32 x 1/2,<br>Bag Of 10   |
| 32   | 818 227 162BG | Screw, Philips Pan Hd, 6-32 x 1,<br>Bag Of 10       |
| 33   | 834 549 002   | Nut, Hex, 1/4-20                                    |
| 34   | 839 549 002BG | Nut, Hex, 1/4-20. Bag Of 10                         |
| 35   | 843 127 002BG | Nut, Keps, 6-32, Bag Of 10                          |
| 36   | 948 753 102BG | Washer, A-N Flat, 1/4, Bag Of 10                    |

SHUTTLE ASSEMBLY

| ITEM | PART NUMBER   | DESCRIPTION   |
|------|---------------|---|
| 1    | 070 006 254   | Side Tube, Short  |
| 2    | 070 006 256   | Outside Tube  |
| 3    | 070 006 259   | Shuttle Arm Bracket   |
| 4    | 070 006 266   | Bin Spring Strap  |
| 5    | 070 006 268   | Strap   |
| 6    | 070 006 447   | Spring, Shuttle Assembly  |
| 7    | 088 001 211   | Pin Holder  |
| 8    | 088 500 153   | Cross Tube, Long  |
| 9    | 088 500 155   | Side Tube, Long   |
| 10   | 088 500 157   | Tube, Center  |
| 11   | 088 500 158   | Cross Tube, Short   |
| 12   | 088 500 161   | End Clamp, Front And Rear Of Steel Bin<br>Pinspotters, Front Only On Durabin Equipped |
| 13   | 088 500 163   | Shuttle Rear End Clamp For Durabin  |
| 13   | 088 500 163BG | Shuttle Rear End Clamp For Durabin<br>Bag Of 16                                       |
| 14   | 809 849 245BG | Screw, Soc Bt Hd, 1/4-20 X 1-1/2<br>Bag Of 10   |
| 15   | 809 849 285BG | Screw, Hex Hd, 1/4-20 X 1-3/4<br>Bag Of 10  |
| 16   | 844 049 002BG | Nut, Stover Lock, 1/4-20, Bag Of 10   |

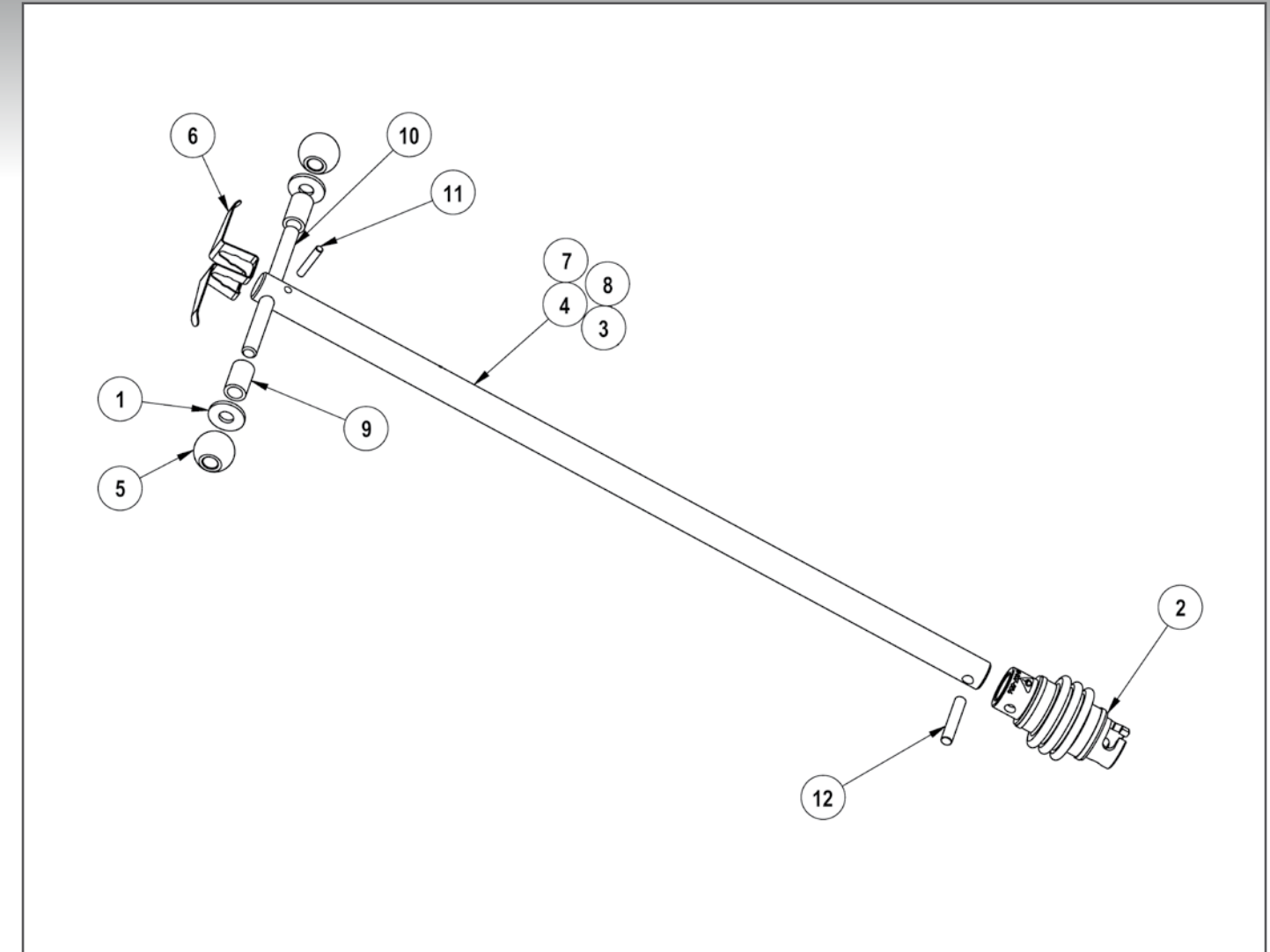
## DISTRIBUTOR DRIVE SHAFT - EARLY



### DISTRIBUTOR DRIVE SHAFT - EARLY

| ITEM | QTY | PART NUMBER   | DESCRIPTION                       |
|------|-----|---------------|-----------------------------------|
| 1    |     | 000 024 893   | Drive Shaft Asm LH (Even Machine) |
| 2    | 2   | 000 029 073BG | Washer, Bag Of 10                 |
| 3    |     | 070 006 102   | Drive Shaft Asm RH (Odd Machine)  |
| 4    | 1   | 070 008 004   | Universal Joint, Plastic          |
| 5    | 1   | 070 006 101   | Shaft R.H. Machine (Odd)          |
| 6    | 1   | 000 022 369   | Shaft, L.H. Machine (Even)        |
| 7    | 2   | 000 026 461BG | Bearing Uniball                   |
| 8    | 1   | 000 024 892   | Ball Bearing Retainer             |
| 9    | 1   | 000 022 717   | Pin Dist Drive                    |
| 10   | 1   | 913 423 120BG | Spring Pin, .125 X 3/4, Bag Of 10 |
| 11   | 1   | 913 437 160BG | Spring Pin, .187 X 1, Bag Of 10   |

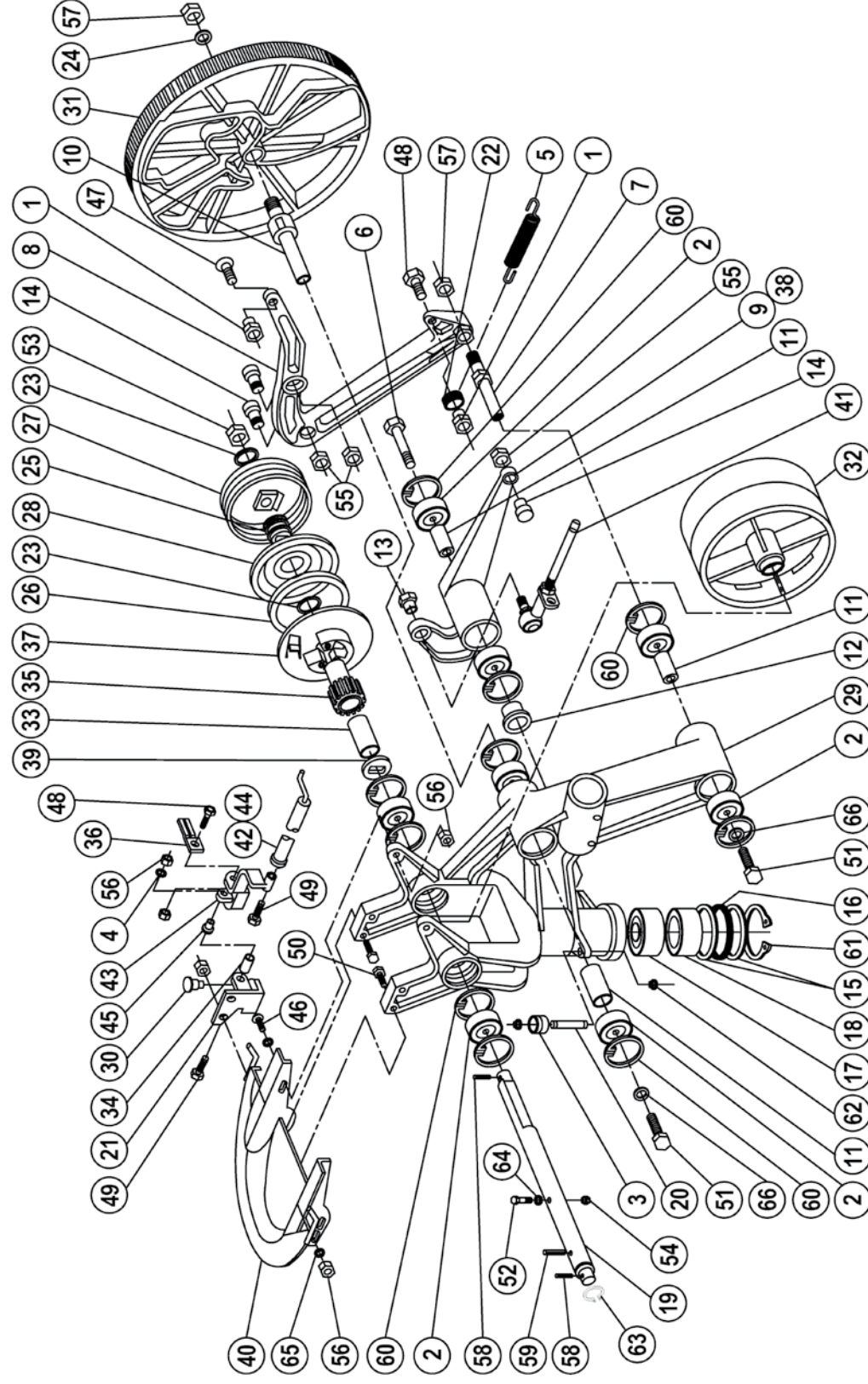
## DISTRIBUTOR DRIVE SHAFT - CURRENT



### DISTRIBUTOR DRIVE SHAFT - CURRENT

| ITEM | QTY | PART NUMBER   | DESCRIPTION                               |
|------|-----|---------------|---|
| 1    | 2   | 000 029 073BG | Washer, Bag Of 10                         |
| 2    | 1   | 070 007 586   | Universal Joint, Steel                    |
| 3    | 1   | 090 002 017   | Shaft, LH Machine (Even)                  |
| 4    | 1   | 090 002 018   | Shaft, RH Machine (Odd)                   |
| 5    | 2   | 090 002 019   | Ball Bearing                              |
| 6    | 1   | 090 002 034   | Ball Bearing Retainer                     |
| 7    |     | 090 006 102   | Distributor Drive Shaft Assy<br>RH (Odd)  |
| 8    |     | 090 006 103   | Distributor Drive Shaft Assy<br>LH (Even) |
| 9    | 2   | 722 501 070   | Spacer                                    |
| 10   | 1   | 908 048 480   | Dowel Pin, 1/4 X 3"                       |
| 11   | 1   | 913 423 120BG | Spring Pin, 1/8 X 3/4, Bag Of 10          |
| 12   | 1   | 913 437 160BG | Spring Pin, 3/16 X 1, Bag Of 10           |

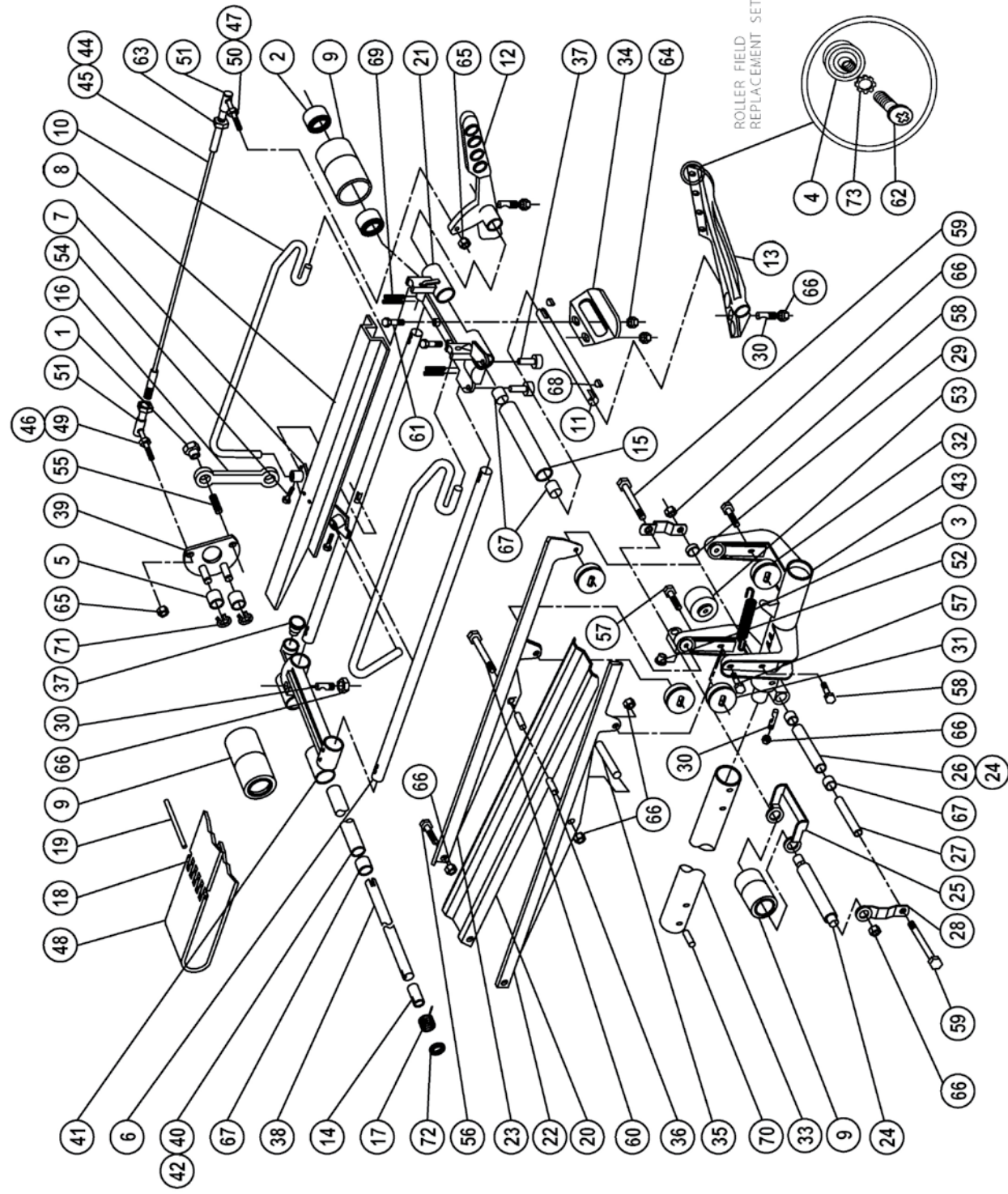
# DISTRIBUTOR ASSEMBLY 1



## DISTRIBUTOR ASSEMBLY 1

| ITEM   | QTY | PART NUMBER   | DESCRIPTION                            |
|--------|-----|---------------|--|
| 1      | 3   | 000 022 173   | Nut, Special                           |
| 2      | 8   | 000 024 679   | Bearing                                |
| 3      | 1   | 000 026 081   | Spring Post Sleeve                     |
| 4      | 1   | 000 026 865BG | Washer, Bag Of 10                      |
| 5      | 1   | 070 006 034   | Spring, Linear                         |
| 6      | 1   | 070 006 048   | Bolt, Special                          |
| 7      | 1   | 070 006 049   | Shaft, Arm                             |
| 8      | 1   | 070 006 051   | Arm                                    |
| 9      | 1   | 070 006 052   | Drive Arm                              |
| 10     | 1   | 070 006 061   | Cam Support Shaft                      |
| 11     | 3   | 070 006 064   | Bearing Spacer                         |
| 12     | 1   | 070 006 065   | Race Clamp                             |
| 13     | 1   | 070 006 069   | Nut, Special                           |
| 14     | 3   | 070 006 071   | Cam Follower                           |
| 15     | 2   | 070 006 073   | Thrust Washer                          |
| 16     | 1   | 070 006 074   | Bearing, Needle Thrust, 1.252 X 1.917  |
| 17     | 1   | 070 006 075   | Needle Bearing, Closed End             |
| 18     | 1   | 070 006 076   | Needle Bearing, Open End               |
| 19     | 1   | 070 006 077   | Shaft                                  |
| 20     | 1   | 070 006 082   | Spring Post Pin                        |
| 21     | 1   | 070 006 084   | Trip Stop Support Bracket              |
| 22     | 2   | 070 006 111   | Sleeve                                 |
| 23, 24 | 1   | 070 006 121BG | Washer, Distributor Clutch - Bag Of 10 |
| 25     | 1   | 070 006 125   | Worm                                   |
| 26     | 1   | 070 006 126   | Friction Disc                          |
| 27     | 1   | 070 006 128   | Spring Assembly                        |
| 28     | 1   | 070 006 130   | Clutch Plate                           |
| 29     | 1   | 070 006 136   | Casting & Bearing Assy                 |
| 30     | 1   | 070 006 142BG | Bumper, Bag Of 10                      |
| 31     | 1   | 070 006 149   | Indexing Cam                           |
| 32     | 1   | 070 006 666   | Pulley, Distributor Drive Belt         |
| 33     | 1   | 070 006 676   | Sleeve                                 |
| 34     | 1   | 070 006 685   | Pivot                                  |
| 35     | 1   | 070 006 686   | Pinion Gear Assembly                   |
| 36     | 1   | 070 006 691   | Stop Blade                             |
| 37     | 1   | 070 006 692   | Clutch Plate Assembly                  |

| ITEM   | QTY | PART NUMBER   | DESCRIPTION  |
|--------|-----|---------------|--|
| 38     | 1   | 070 007 119   | Drive Arm Assy - Includes Items 2, 9, 11, 14, and 60 |
| 39     | 1   | 070 007 376BG | Thrust Washer, Bag Of 5                              |
| 40     | 1   | 090 003 077   | Orienter Pan   |
| 41     | 1   | 090 005 262   | Rod Link Assembly                                    |
| 42     | 1   | 090 006 663   | Trip Stop Rod Assembly                               |
| 43     | 1   | 090 006 665   | Trip Support Casting Assembly                        |
| 44     | 1   | 090 006 668   | Trip Stop Rod & Support Casting Assy                 |
| 45     | 1   | 701 712 097   | Includes Items 42, 43, 45, 50                        |
| 46     | 2   | 808 549 200BG | Bearing, .375 Bore                                   |
| 47     | 1   | 808 849 100BG | Screw, Button Head, 1/4 - 20 X 1-1/2 - Bag Of 10     |
| 48     | 2   | 809 849 125   | Screw, Flat Hd Hex Socket, 1/4-20 X 5/8, Bag Of 10   |
| 49     | 2   | 809 849 165BG | Screw, Hex, 1/4 - 20 X 3/4                           |
| 50     | 4   | 809 849 205BG | Screw, Hex, 1/4 - 20 X 1, Bag Of 10                  |
| 51     | 2   | 809 857 080BG | Screw, Hex, 1/4 - 20 X 1 1/4, Bag Of 10              |
| 52     | 1   | 810 239 240BG | Screw, Hex, 5/16 - 18 X 1/2, Bag Of 10               |
| 53     | 1   | 835 582 002   | Screw, Socket Head Cap, 10-24 X 1 1/2 - Bag Of 10    |
| 54     | 1   | 840 039 002BG | Nut, Hex Jam, 5/8 - 18                               |
| 55, 56 | 7   | 844 049 002BG | Nut, Flex Lock, 10 - 24, Bag Of 10                   |
| 57     | 2   | 844 073 002BG | Nut, Stover Lock, 1/4 - 20, Bag Of 10                |
| 58     | 2   | 913 437 140BG | Nut, Stover Lock, 1/2 - 13 - Bag Of 10               |
| 59     | 1   | 914 037 206BG | Spring Pin, 3/16 X 7/8, Bag Of 10                    |
| 60     | 10  | 919 000 600BG | Spring Pin, 3/16 X 1-1/4 - Bag Of 10                 |
| 61     | 1   | 919 004 200BG | Retaining Ring, 5000-137 - Bag Of 10                 |
| 62     | 2   | 919 005 300BG | Retaining Ring, 5008-212 - Bag Of 10                 |
| 63     | 2   | 919 005 600BG | Retaining Ring, 5100-37 - Bag Of 10                  |
| 64     | 1   | 948 745 082BG | Retaining Ring, 5100-62 - Bag Of 10                  |
| 65     | 6   | 948 753 102BG | Washer, 7/32 X 1/2 X 1/16 - Bag Of 10                |
| 66     | 2   | 948 761 112BG | Washer, 5/8 X 9/32 X 1/16 - Bag Of 10                |

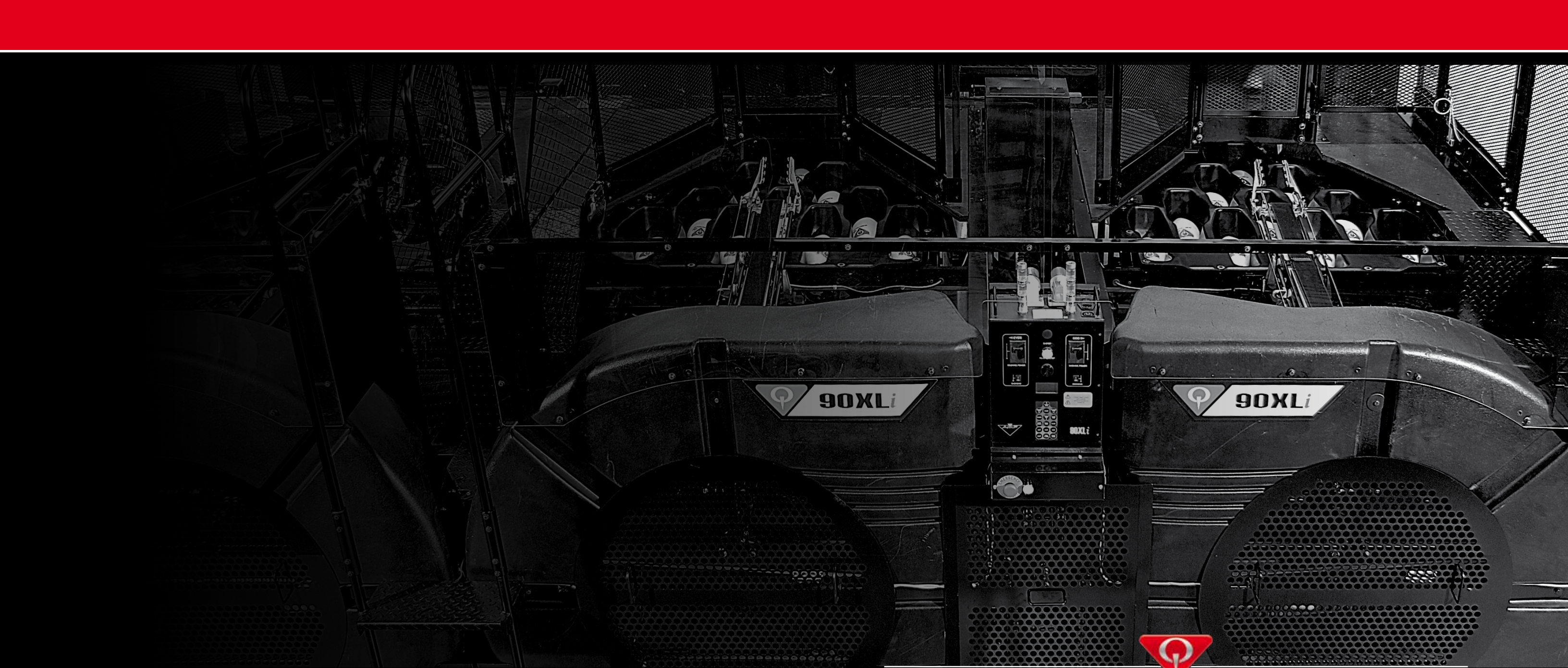


## DISTRIBUTOR ASSEMBLY 2

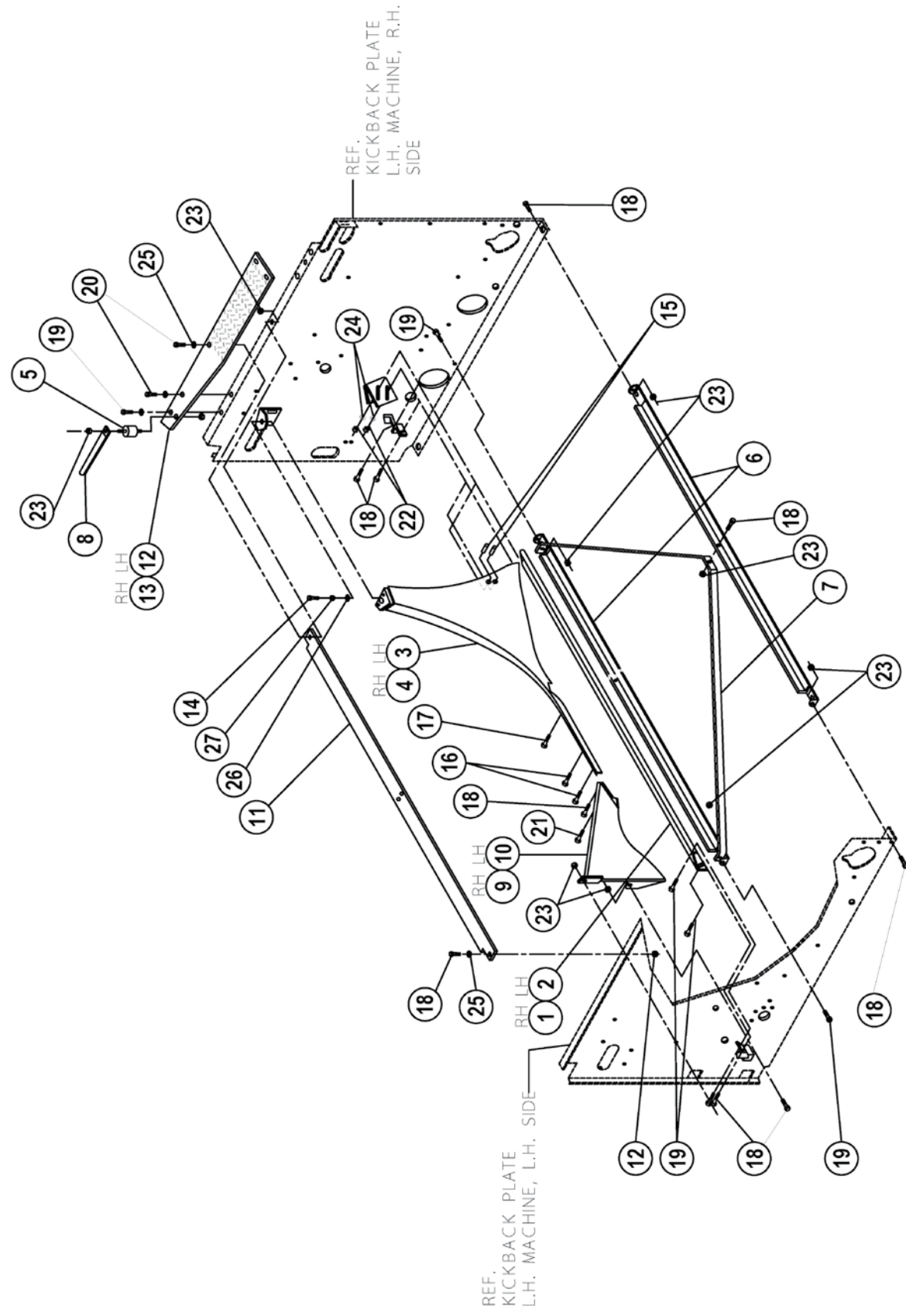
| ITEM | QTY | PART NUMBER   | DESCRIPTION                                      |
|------|-----|---------------|--|
| 1    | 1   | 000 022 173   | Nut, Special                                     |
| 2    | 6   | 000 024 679   | Bearing  |
| 3    | 1   | 000 026 031   | Belt Tightener Spring                            |
| 4    | 10  | 000 026 251BG | Roller Bearing, Threaded - Bag Of 10             |
| 5    | 2   | 070 001 857BG | Nylon Roller, Bag Of 2                           |
| 6    | 2   | 070 006 004   | Tube   |
| 7    | 1   | 070 006 007   | Support Weldment                                 |
| 8    | 1   | 070 006 009   | Belt Runner Support Assy - Includes Item 7       |
| 9    | 3   | 070 006 011   | Pulley Assembly - Includes Item 2 and Pulley     |
| 10   | 2   | 070 006 013   | Pin Guide  |
| 11   | 1   | 070 006 014   | Shaft  |
| 12   | 1   | 070 006 015   | Trip Arm Assy, RH,                               |
| 13   | 1   | 070 006 016   | Includes Casting with Factory Rollers (10 PS)    |
| 14   | 1   | 070 006 019   | Trip Arm Assy, LH,                               |
| 15   | 1   | 070 006 021   | Includes Casting with Factory Rollers (7 PS)     |
| 16   | 1   | 070 006 029   | Spring Collar                                    |
| 17   | 1   | 070 006 035   | Tube Assembly, Front - Includes Item 67 and Tube |
| 18   | 2   | 070 006 036BG | Connecting Link                                  |
| 19   | 1   | 070 006 037BG | Spring   |
| 20   | 1   | 070 006 042   | Belt Lacing, Bag Of 10                           |
| 21   | 1   | 070 006 055   | Belt Pin, Bag Of 10                              |
| 22   | 1   | 070 006 103   | Belt Runner, Rear                                |
| 23   | 1   | 070 006 104   | Carriage, Front                                  |
| 24   | 2   | 070 006 105   | Support Guide, L.H. (7 PS)                       |
| 25   | 1   | 070 006 106   | Support Guide R.H. (10 PS)                       |
| 26   | 2   | 070 006 107   | Tube Assembly - Includes Items 26, 27, and 67    |
| 27   | 2   | 070 006 108   | Tracking Bracket                                 |
| 28   | 2   | 070 006 109   | Belt Tightener Tube                              |
| 29   | 1   | 070 006 111   | Spacer   |
| 30   | 5   | 070 006 116   | Roller Assembly Link                             |
| 31   | 1   | 070 006 117   | Spring Post Sleeve                               |
| 32   | 3   | 070 006 118   | Clamp Stud                                       |
| 33   | 1   | 070 006 120   | Bearing, Grooved, Concentric                     |
| 34   | 1   | 070 006 137   | Bearing, Grooved, Eccentric                      |
| 35   | 1   | 070 006 139   | Carriage Support Tube                            |
| 36   | 2   | 070 006 140   | Belt Guard                                       |
| 37   | 3   | 070 006 142BG | Inner Spacer                                     |
| 38   | 1   | 070 006 659   | Outer Spacer                                     |
| 39   | 1   | 070 006 661   | Bumper, Bag Of 10                                |
|      |     |               | Shaft  |
|      |     |               | Trip Rocker Arm Weldment                         |

| ITEM | QTY | PART NUMBER   | DESCRIPTION  |
|------|-----|---------------|--|
| 40   | 1   | 070 006 671   | Tube, Middle   |
| 41   | 1   | 070 006 672   | Carriage Casting, Rear                                       |
| 42   | 1   | 070 006 683   | Tube Assembly, Middle  |
| 43   | 1   | 070 006 688   | Includes Items 40 and 67                                     |
| 44   | 1   | 070 011 170   | Carriage Support Casting Assy - Includes Casting and Item 52 |
| 45   | 1   | 070 011 171   | Distributor Cable Assembly                                   |
| 46   | 1   | 070 011 172   | Includes Items 45, 49, 50, 51, & 63                          |
| 47   | 1   | 070 011 173   | Cable  |
| 48   | 1   | 070 011 909   | Ball Joint Assembly  |
| 49   | 1   | 090 004 110   | Includes Items 49 and 51                                     |
| 50   | 1   | 090 004 111   | Ball Joint Assembly  |
| 51   | 2   | 090 004 112   | Ball Head Stud   |
| 52   | 1   | 701 710 098   | Shell & Clip Assembly  |
| 53   | 1   | 701 849 124   | Bearing, Uniball   |
| 54   | 2   | 806 249 060BG | Ball Bearing, 1/4 - 20 Threaded Bore                         |
| 55   | 1   | 807 249 160BG | Setscrew, Square Head, 1/4-20 X 3/8 - Bag Of 10              |
| 56   | 2   | 808 549 200BG | Setscrew, Socket Head, 1/4 - 20 X 1 - Bag Of 10              |
| 57   | 5   | 809 849 125   | Screw, Button Head, 1/4 - 20 X 1-1/4 - Bag Of 10             |
| 58   | 6   | 809 849 165BG | Screw, Hex, 1/4 - 20 X 3/4                                   |
| 59   | 2   | 809 849 605BG | Screw, Hex, 1/4 - 20 X 1 - Bag Of 10                         |
| 60   | 1   | 809 849 885BG | Screw, Hex, 1/4 - 20 X 5/2 - Bag Of 10                       |
| 61   | 2   | 810 239 160BG | Screw, Hex, 1/4 - 20 X 5/2 - Bag Of 10                       |
| 62   | 10  | 813 540 082BG | Screw, Socket Head Cap, 10-24 X 1 - Bag Of 10                |
| 63   | 2   | 835 550 002BG | Nut, Hex Jam, 1/4 - 28 - Bag Of 10                           |
| 64   | 2   | 840 039 002BG | Nut, Flex Lock, 10 - 24 - Bag Of 10                          |
| 65   | 1   | 840 040 002BG | Nut, Flex Lock, Thin, 10 - 32 - Bag Of 10                    |
| 66   | 17  | 844 049 002BG | Nut, Stover Lock, 1/4 - 20 - Bag Of 10                       |
| 67   | 8   | 900 106 081BG | Sleeve Bearing, .378 X 1/2 - Bag Of 5                        |
| 68   | 2   | 907 000 100   | Key  |
| 69   | 8   | 913 437 140BG | Spring Pin, .187 X 7/8 - Bag Of 10                           |
| 70   | 4   | 913 464 280BG | Spring Pin, 3/8 X 1 3/4 - Bag Of 10                          |
| 71   | 2   | 919 005 600BG | Retaining Ring, 5100-62 - Bag Of 10                          |
| 72   | 1   | 919 006 800BG | Retaining Ring, 5115-37 - Bag Of 10                          |
| 73   | 10  | 957 100 002BG | Washer, External Lock, # 10 - Bag Of 10                      |





# BACK END

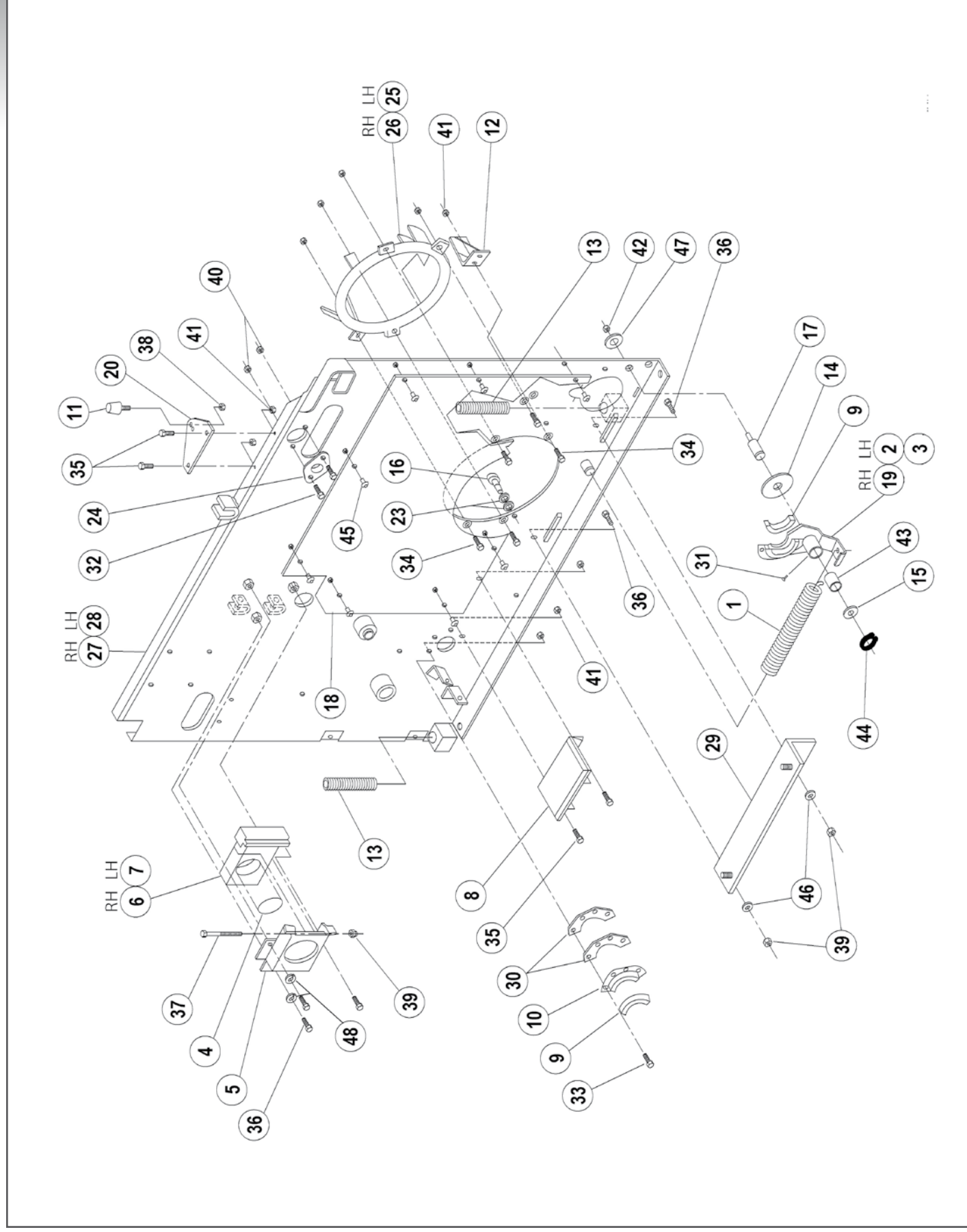


BACK END ASSEMBLY

| ITEM | QTY | PART NUMBER   | DESCRIPTION                                     |
|------|-----|---------------|---|
| 1    | 1   | 000 027 099   | Apron & Mat Assembly, RH (Even)                 |
| 2    | 1   | 000 027 100   | Apron & Mat Assembly, LH (Odd)                  |
| 3    | 1   | 000 027 368   | Plow & Mat Assembly, LH (Even)                  |
| 4    | 1   | 000 027 372   | Plow & Mat Assembly, RH (Odd)                   |
| 5    | 1   | 000 029 068   | Rubber Mounting                                 |
| 6    | 2   | 070 001 184   | Strap Weldment                                  |
| 7    | 1   | 070 001 185   | Brace   |
| 8    | 1   | 070 001 195   | Pin Seating Rod                                 |
| 9    | 1   | 070 001 412   | Plow & Mat Assembly, Small, RH (Odd)            |
| 10   | 1   | 070 002 169   | Plow & Mat Assembly, Small, LH (Even)           |
| 11   | 1   | 070 007 359   | Support Bracket                                 |
| 12   | 1   | 088 001 120   | Even Machine Tread Plate                        |
| 13   | 1   | 088 001 121   | Odd Machine Tread Plate                         |
| 14   | 1   | 808 566 160BG | Screw, Button Head, 3/8 - 24 X 1 - Bag Of 10    |
| 15   | 1   | 808 849 120BG | Screw, Flat Head, 1/4 - 20 X 3/4 - Bag Of 10    |
| 16   | 2   | 808 858 120BG | Screw, Flat Head, 5/16 - 24 X 3/4 - Bag Of 10   |
| 17   | 1   | 808 858 240BG | Screw, Flat Head, 5/16 - 24 X 1 1/2 - Bag Of 10 |

| ITEM | QTY | PART NUMBER   | DESCRIPTION                                    |
|------|-----|---------------|--|
| 18   | 6   | 809 857 125BG | Screw, Hex, 5/16 - 18 X 3/4 - Bag Of 10        |
| 19   | 6   | 809 857 165BG | Screw, Hex, 5/16 - 18 X 1 - Bag Of 10          |
| 20   | 3   | 809 857 205BG | Screw, Hex, 5/16 - 18 X 1-1/4 - Bag Of 10      |
| 21   | 1   | 809 858 125BG | Screw, Hex, 5/16 - 24 X 3/4 - Bag Of 10        |
| 22   | 2   | 844 049 002BG | Nut, Stover Lock, 1/4 - 20 - Bag Of 10         |
| 23   | 12  | 844 057 002BG | Nut, Stover Lock, 5/16 - 18 - Bag Of 10        |
| 24   | 2   | 948 753 102BG | Washer, Flat, 5/8 X 9/32 X 1/16 - Bag Of 10    |
| 25   | 6   | 948 761 112BG | Washer, Flat, 11/16 X 11/32 X 1/16 - Bag Of 10 |
| 26   | 1   | 948 767 132BG | Washer, Flat, 13/32 X 13/16 X 1/16 - Bag Of 10 |
| 27   | 1   | 951 164 002BG | Washer, Split Lock, 3/8 - Bag Of 10            |

# KICKBACK PLATE ASSEMBLY – BALL EXIT SIDE



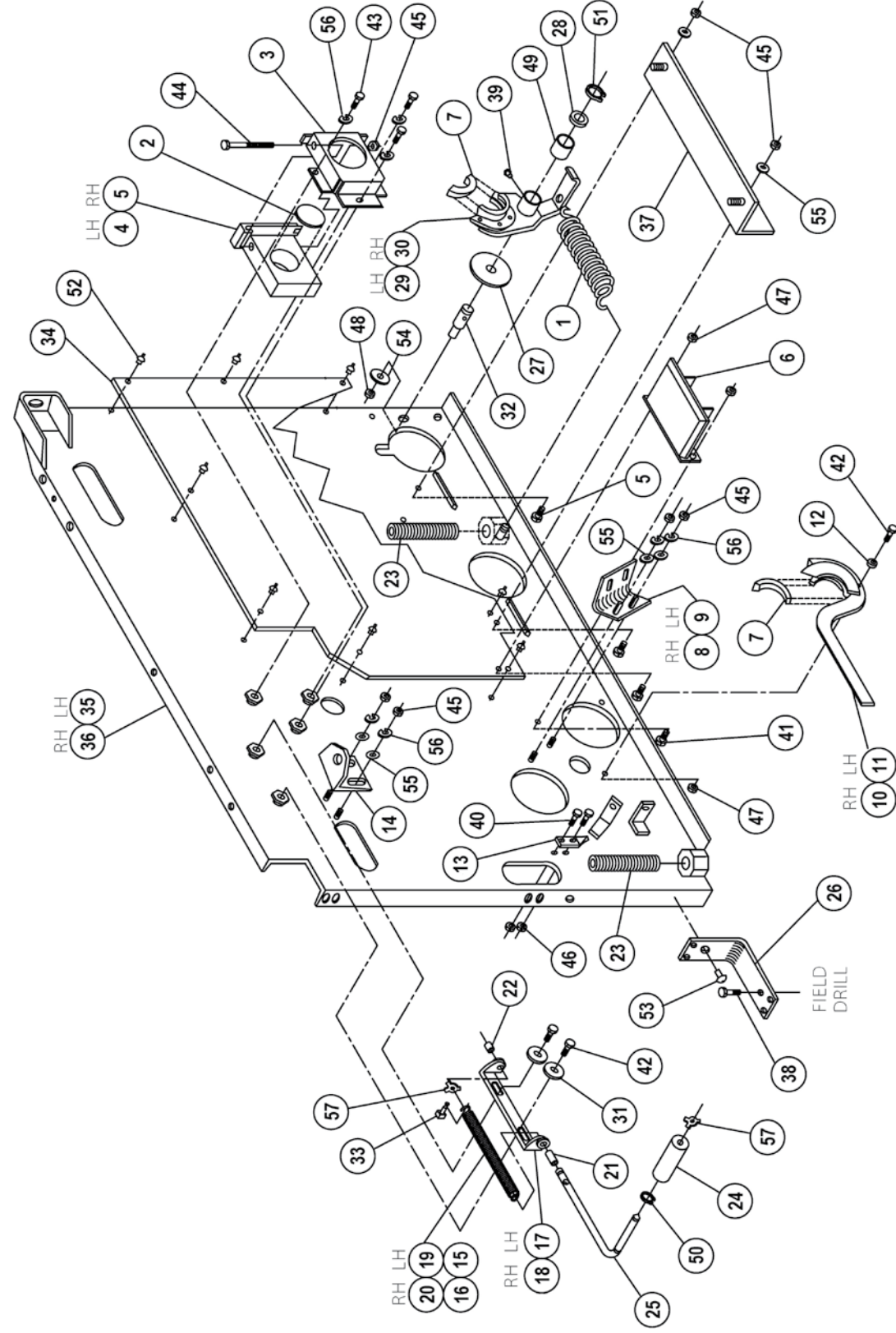
## KICKBACK PLATE ASSEMBLY – BALL EXIT SIDE

| ITEM | QTY  | PART NUMBER   | DESCRIPTION   |
|------|------|---------------|---|
| 1    | 1    | 000 021 204   | Spring  |
| 2    | 1    | 000 022 248   | Bracket Weldment L.H. Side, L.H. Machine (Even 7 PS)          |
| 3    | 1    | 000 022 249   | Bearing Bracket Assembly, L.H. Side, L.H. Machine (Even 7 PS) |
| 4    | 1    | 000 022 300   | Includes Items 2, 9, 29, And 42                               |
| 5    | 1    | 000 022 788   | Box Support   |
| 6    | 1    | 000 022 794   | Block Support, R.H. Side (10 PS)                              |
| 7    | 1    | 000 022 795   | Block Support, L.H. Side (7 PS)                               |
| 8    | 1    | 000 022 878   | Angle   |
| 9    | 2    | 000 022 924BG | Support Bearing, Bag Of 10                                    |
| 10   | 1    | 000 022 926   | Retainer Support  |
| 11   | 1    | 000 024 641   | Stop Bumper   |
| 12   | 1    | 000 024 668   | Track Support Bracket   |
| 13   | 2    | 000 024 890   | Setscrew  |
| 14   | 1    | 000 027 641   | Thrust Bearing  |
| 15   | 1    | 000 027 642   | Front Roller Support Washer                                   |
| 16   | 1    | 000 028 362BG | Bumper, Urethane, Bag Of 10                                   |
| 17   | 1    | 000 029 015   | Pivot Stud  |
| 18   | 1    | 000 029 640   | Kickback Panel  |
| 19   | 1    | 000 029 672   | Bearing Bracket Assembly, R.H. Side, R.H. Machine             |
| 20   | 1    | 070 004 642   | Includes Items 9, 29, 42, and The Bracket Weldment            |
| 21   | 1    | 070 011 005   | Ball Lift Stop Bracket  |
| 22   | 1    | 070 011 006   | Door Weldment, L.H. Machine (Even)                            |
| 23   | 1-2* | 070 011 050   | Door Weldment, R.H. Machine (Odd)                             |
| 24   | 1    | 070 011 286   | Washer, Special   |
| 25   | 1    | 070 011 641   | Curtain Rod Bushing   |
| 26   | 1    | 070 011 642   | Urethane Ball Door Ring, Even Lane                            |
|      |      |               | Urethane Ball Door Ring, Odd Lane                             |

| ITEM | QTY | PART NUMBER   | DESCRIPTION   |
|------|-----|---------------|---|
| 27   | 1   | 090 004 126   | Kickplate, R.H. Side, R.H. Machine - (Odd Bds)              |
| 28   | 1   | 090 004 129   | Kickplate, L.H. Side, L.H. Machine - (Even Bds - Not Shown) |
| 29   | 1   | 090 004 131   | Pit Support Bracket   |
| 30   | 2   | 090 004 136   | Spacer  |
| 31   | 1   | 710 501 009   | Grease Fitting  |
| 32   | 2   | 808 549 160BG | Screw, Button Head, 1/4 - 20 X 1 - Bag Of 10                |
| 33   | 4   | 808 557 120BG | Screw, Button Head, 5/16 - 18 X 3/4 - Bag Of 10             |
| 34   | 6   | 808 857 120   | Screw, Flat Head, 5/16 - 18 X 3/4                           |
| 35   | 2   | 809 857 125BG | Screw, Hex, 5/16 - 18 X 3/4 - Bag Of 10                     |
| 36   | 5   | 809 865 165BG | Screw, Hex, 3/8 - 16 X 1 - Bag Of 10                        |
| 37   | 1   | 809 865 645BG | Screw, Hex, 3/8 - 16 X 4 - Bag Of 10                        |
| 38   | 1   | 835 558 002BG | Nut, Hex Jam, 5/16 - 24 - Bag Of 10                         |
| 39   | 3   | 839 665 002BG | Nut, Flex Lock, 3/8 - 16 - Bag Of 10                        |
| 40   | 2   | 844 049 002BG | Nut, Stover Lock, 1/4 - 20 - Bag Of 10                      |
| 41   | 8   | 844 057 002BG | Nut, Stover Lock, 5/16 - 18 - Bag Of 10                     |
| 42   | 1   | 844 074 002BG | Nut, Stover Lock, 1/2 - 20 - Bag Of 10                      |
| 43   | 1   | 900 112 203BG | Sleeve Bearing, .753 X 1-1/4 - Bag Of 5                     |
| 44   | 1   | 919 005 800BG | Retaining Ring, Bag Of 10                                   |
| 45   | 9   | 937 000 000BG | Drive Rivet (Field Replacement) - Bag Of 10                 |
| 46   | 2   | 948 767 132BG | Washer, 13/32 X 13/16 X 1/16 - Bag Of 10                    |
| 47   | 1   | 948 975 172BG | Washer, Flat, 1-1/4 X 1/2 X 1/16 - Bag Of 10                |
| 48   | 3   | 951 164 002BG | Washer, Split Lock, 3/8 - Bag Of 10                         |

\*Quantity as needed

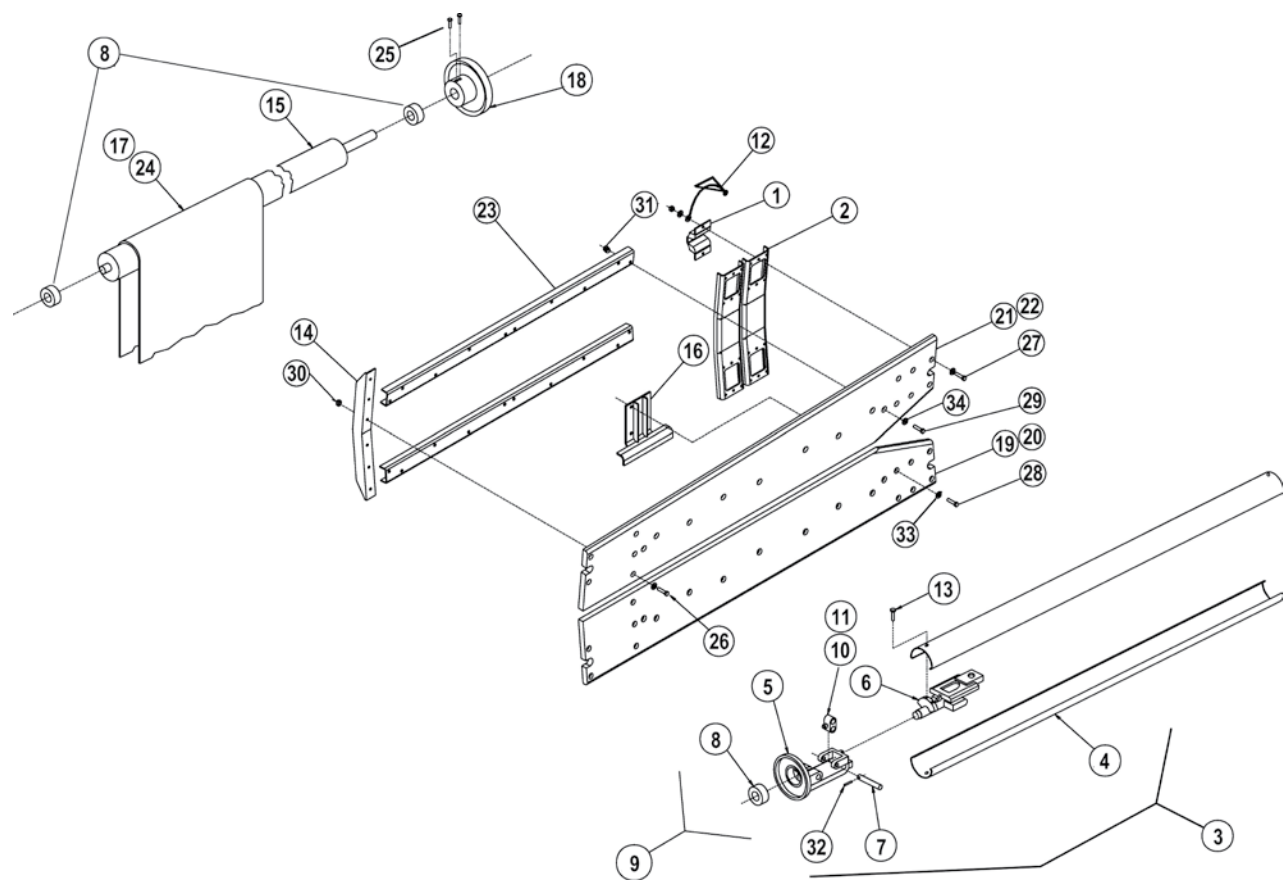
# KICKBACK PLATE ASSEMBLY - OPPOSITE BALL EXIT SIDE



## KICKBACK PLATE ASSEMBLY - OPPOSITE BALL EXIT SIDE

| ITEM | QTY | PART NUMBER   | DESCRIPTION   |
|------|-----|---------------|---|
| 1    | 1   | 000 021 204   | Spring  |
| 2    | 1   | 000 022 300   | Shield  |
| 3    | 1   | 000 022 788   | Box Support   |
| 4    | 1   | 000 022 794   | Block Support, R.H. Side (10 PS)  |
| 5    | 1   | 000 022 795   | Block Support, L.H. Side (7 PS)   |
| 6    | 1   | 000 022 878   | Angle   |
| 7    | 2   | 000 022 9248G | Support Bearing, Bag Of 10  |
| 8    | 1   | 000 023 431   | Clip, Bottom, R.H. Machine (Odd)  |
| 9    | 1   | 000 023 432   | Clip, Bottom, L.H. Machine (Even)   |
| 10   | 1   | 000 023 464   | Support Weldment, R.H. Machine (Odd)  |
| 11   | 1   | 000 023 465   | Support Weldment, L.H. Machine (Even)   |
| 12   | 1   | 000 023 467   | Flanged Bearing, .314 X .434 X .310   |
| 13   | 1   | 000 023 468   | Bracket   |
| 14   | 1   | 000 023 821   | Side Clip Weldment  |
| 15   | 1   | 000 024 507   | Pin Ejector Assembly, L.H. Machine (Even) - Includes Items 19, 21, 22, 24, 25, 33, 50, 57, and The Bracket Weldment   |
| 16   | 1   | 000 024 508   | Pin Ejector Assembly, R.H. Machine (Odd) - Includes Items 20, 21, 22, 24, 25, 33, 50, 57, and The Bracket Weldment  |
| 17   | 1   | 000 024 510   | Bracket Assembly, L.H. Machine (Even)   |
| 18   | 1   | 000 024 511   | Includes Items 21, 22 and The Bracket Weldment  |
| 19   | 1   | 000 024 512   | Pin Ejector Spring, L.H. Machine (Even)   |
| 20   | 1   | 000 024 513   | Pin Ejector Spring, R.H. Machine (Odd)  |
| 21   | 1   | 000 024 515   | Sleeve Bearing, .44 X .56 X 3/4   |
| 22   | 1   | 000 024 516   | Sleeve Bearing, .44 X .56 X 3/8   |
| 23   | 2   | 000 024 890   | Setscrew  |
| 24   | 1   | 000 025 803   | Roller, Pin Ejector Assembly  |
| 25   | 1   | 000 025 804   | Shaft, Pin Ejector Assembly   |
| 26   | 1   | 000 026 464   | Kickback Bracket  |
| 27   | 1   | 000 027 641   | Thrust Bearing  |
| 28   | 1   | 000 027 642   | Washer  |
| 29   | 1   | 000 027 645   | Bearing Assy., L.H. Side, R.H. Machine - (Odd 7 PS)   |
| 30   | 1   | 000 027 646   | Includes Items 7, 39, 49, and The Bracket Weldment<br>Bearing Assy., R.H. Side, L.H. Machine - (Even 10 PS)<br>Includes Items 7, 39, 49, and The Bracket Weldment |

| ITEM | QTY | PART NUMBER   | DESCRIPTION  |
|------|-----|---------------|--|
| 31   | 1   | 000 028 3348G | Washer, Bag Of 10  |
| 32   | 1   | 000 029 015   | Pivot Stud   |
| 33   | 1   | 000 029 317   | Stop Pin   |
| 34   | 1   | 070 002 027   | Kickback Panel   |
| 35   | 1   | 090 004 127   | Kickback Weldment L.H. Side, R.H. Machine (Odd 7 PS - Not Shown) |
| 36   | 1   | 090 004 128   | Kickback Weldment R.H. Side, L.H. Machine (Even 10 PS)           |
| 37   | 1   | 090 004 131   | Pit Support Bracket  |
| 38   | 1   | 709 013 059   | Screwbolt, Hex, 8 Mm X 75 Mm                                     |
| 39   | 1   | 710 501 009   | Grease Fitting   |
| 40   | 2   | 809 849 125   | Screw, Hex, 1/4 - 20 X 3/4                                       |
| 41   | 2   | 809 857 1258G | Screw, Hex, 5/16 - 18 X 3/4 - Bag Of 10                          |
| 42   | 3   | 809 857 1658G | Screw Hex, 5/16 - 18 X 1 - Bag Of 10                             |
| 43   | 5   | 809 865 1658G | Screw, Hex, 3/8 - 16 X 1 - Bag Of 10                             |
| 44   | 1   | 809 865 6458G | Nut, Flex Lock, 3/8 - 16 - Bag Of 10                             |
| 45   | 7   | 839 665 0028G | Nut, Stover Lock, 1/4 - 20 - Bag Of 10                           |
| 46   | 2   | 844 049 0028G | Nut, Stover Lock, 5/16 - 18 - Bag Of 10                          |
| 47   | 3   | 844 057 0028G | Nut, Stover Lock, 1/2 - 20 - Bag Of 10                           |
| 48   | 1   | 844 074 0028G | Sleeve Bearing, .753 X 1-1/4 - Bag Of 5                          |
| 49   | 1   | 919 005 4008G | Retaining Ring, Bag Of 10  |
| 50   | 1   | 919 005 8008G | Retaining Ring, Bag Of 10  |
| 51   | 1   | 937 000 0008G | Drive Rivet (Field Replacement) - Bag Of 10                      |
| 52   | 9   | 937 710 005   | Aluminum Drive Rivet   |
| 53   | 1   | 941 072 2008G | Washer, Flat, 1.25 X .5 X .083 - Bag Of 10                       |
| 54   | 1   | 948 767 1328G | Washer, Bag Of 10  |
| 55   | 6   | 951 164 0028G | Washer, Split Lock, 3/8 - Bag Of 10                              |
| 56   | 7   | 963 600 0028G | X-Washer, 1/4, Bag Of 10   |

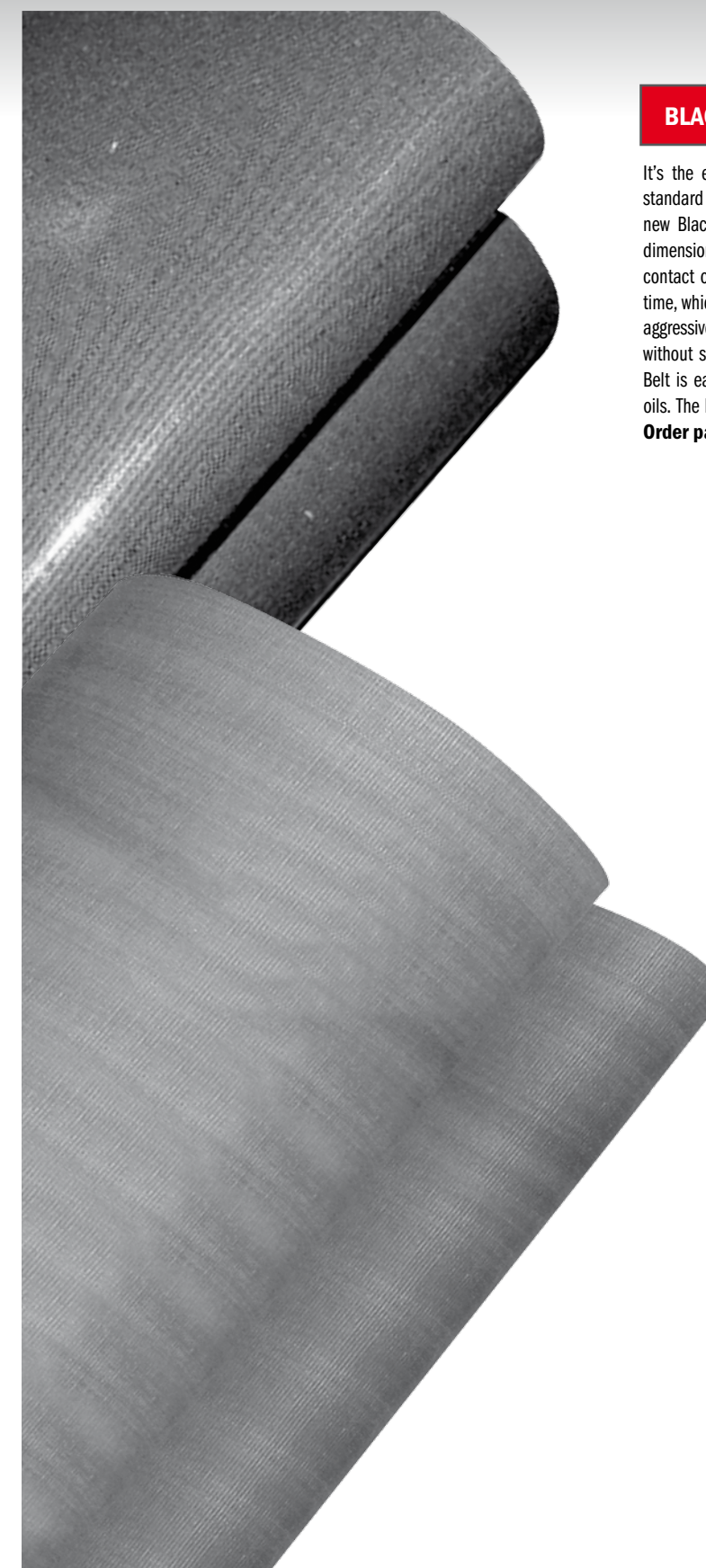


**BOUNCE PLATE & ROLLER ASSEMBLY**

| ITEM | QTY | PART NUMBER   | DESCRIPTION  |
|------|-----|---------------|--|
| 1    | 4   | 000 021 224   | Vibration Dampener                                 |
| 2    | 2   | 000 021 914   | Bounce Board Channel                               |
| 3    | 1   | 000 024 576   | Front Roller Assy<br>Includes Items 4, 9, and 13   |
| 4    | 2   | 000 024 578   | Roller Body  |
| 5    | 2   | 000 024 579   | Roller Hinge                                       |
| 6    | 2   | 000 024 580   | Shaft Hinge  |
| 7    | 4   | 000 024 582BG | Pin, Bag Of 2                                      |
| 8    | 4   | 000 024 590   | Bearing  |
| 9    | 2   | 000 024 592   | Hinge Assy<br>Includes Items 5, 6, 7, 8, 9, and 32 |
| 10   | 2   | 000 024 597   | Link Assembly, Brass W/ Grease Fitting             |
| 11   |     | 000 024 760   | Link, Nyloil Plastic                               |
| 12   | 1   | 000 025 622   | Bonding Strap                                      |
| 13   | 16  | 000 025 662BG | Screw, Nylon Locking, Bag Of 10                    |
| 14   | 1   | 000 029 626   | Angle Support                                      |
| 15   | 1   | 070 002 034   | Rear Roller Assy<br>Includes Item 8 And Roller     |
| 16   | 1   | 070 007 769   | Ball Idling Bracket Weldment                       |
| 17   |     | 088 500 505BX | Black Carpet Belt                                  |
| 18   | 1   | 090 004 203   | 82-90 Carpet Drive Sheave                          |
| 19   | 1   | 090 005 270   | Bounce Board, Front,<br>R.H. Machine (Odd)         |

| ITEM | QTY | PART NUMBER   | DESCRIPTION                                      |
|------|-----|---------------|--|
| 20   | 1   | 090 005 271   | Bounce Board, Front,<br>L.H. Machine (Even)      |
| 21   | 1   | 090 005 272   | Bounce Board, Rear,<br>R.H. Machine (Odd)        |
| 22   | 1   | 090 005 273   | Bounce Board, Rear,<br>L.H. Machine (Even)       |
| 23   | 2   | 090 005 274   | Support Channel                                  |
| 24   | 1   | 090 006 124   | Carpet Belt, Pumpkin/Tan                         |
| 25   | 2   | 806 265 160BG | Setscrew, Square Head, 3/8 - 16 X 1<br>Bag Of 10 |
| 26   | 14  | 809 849 165BG | Screw, Hex, 1/4 - 20 X 1, Bag Of 10              |
| 27   |     | 809 849 205BG | Screw, Hex, 1/4 - 20 X 1-1/4, Bag Of 10          |
| 28   | 4   | 809 849 325BG | Screw, Hex, 1/4 - 20 X 2, Bag Of 10              |
| 29   | 18  | 809 857 205BG | Screw, Hex, 5/16 - 18 X 1-1/4<br>Bag Of 10       |
| 30   | 22  | 844 049 002BG | Nut, Stover Lock, 1/4 - 20, Bag Of 10            |
| 31   | 18  | 844 057 002BG | Nut, Stover Lock, 5/16 - 18, Bag Of 10           |
| 32   | 8   | 913 411 100BG | Spring Pin, .078 X 5/8, Bag Of 10                |
| 33   | 23  | 948 753 102BG | Washer, Flat, .281 X .625 X .06<br>Bag Of 10     |
| 34   | 18  | 948 761 112BG | Washer, Flat, .343 X .625 X .06<br>Bag Of 10     |

AMF Carpet Belts have been the proven leaders for more than 50 years. All of our carpets resist lane oil penetration, resist stretching and resist fraying.



**BLACK CARPET BELT**

It's the expert carpet belt for your pinspotters. As the standard carpet belt on all our new pinspotters, the new Black Belt is very consistent. With a tight inside dimension tolerance, the Black Belt maintains flexible contact over the pit carpet rollers for a longer period of time, which eliminates ball idling issues. Even with today's aggressive lane oils, the Black Belt stays soft and flexible without stretching. Field tested for four years, our Black Belt is easy to install, starts up easier, and resists lane oils. The Black Belt comes with a one year warranty.

**Order part # 088 500 505BX**

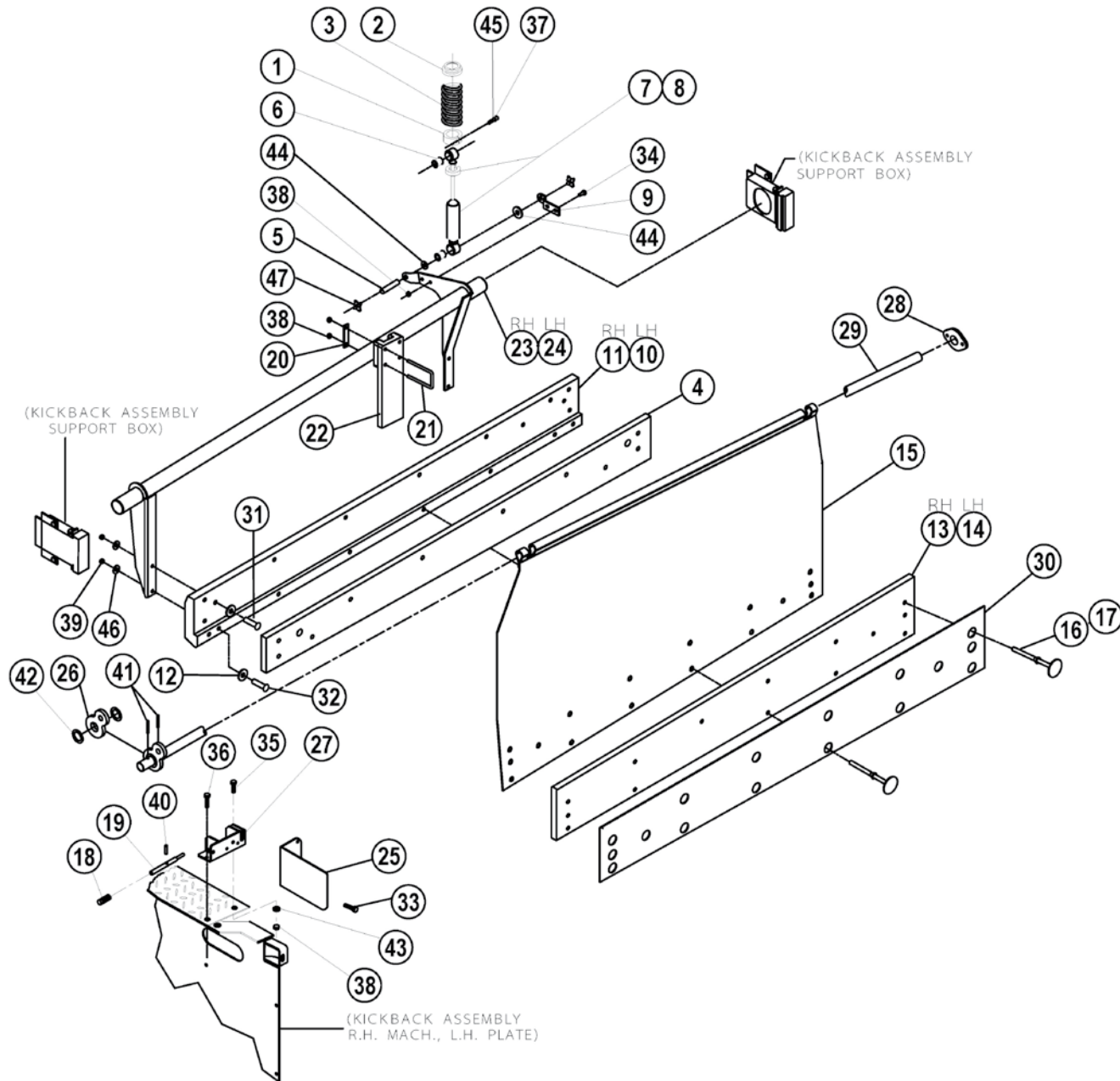
**PUMPKIN CARPET BELT**

The Pumpkin is the standard of the industry. It has a mechanically and chemically stitched splice that resists de-lamination and curling. This belt provides longer life and superior oil resistance to mandrel built belts, and is preconditioned for easier installation, and reduced break-in time. It also comes with a two-year warranty.

**Order part # 090 006 124**



# CUSHION AND SHOCK ABSORBER ASSEMBLY

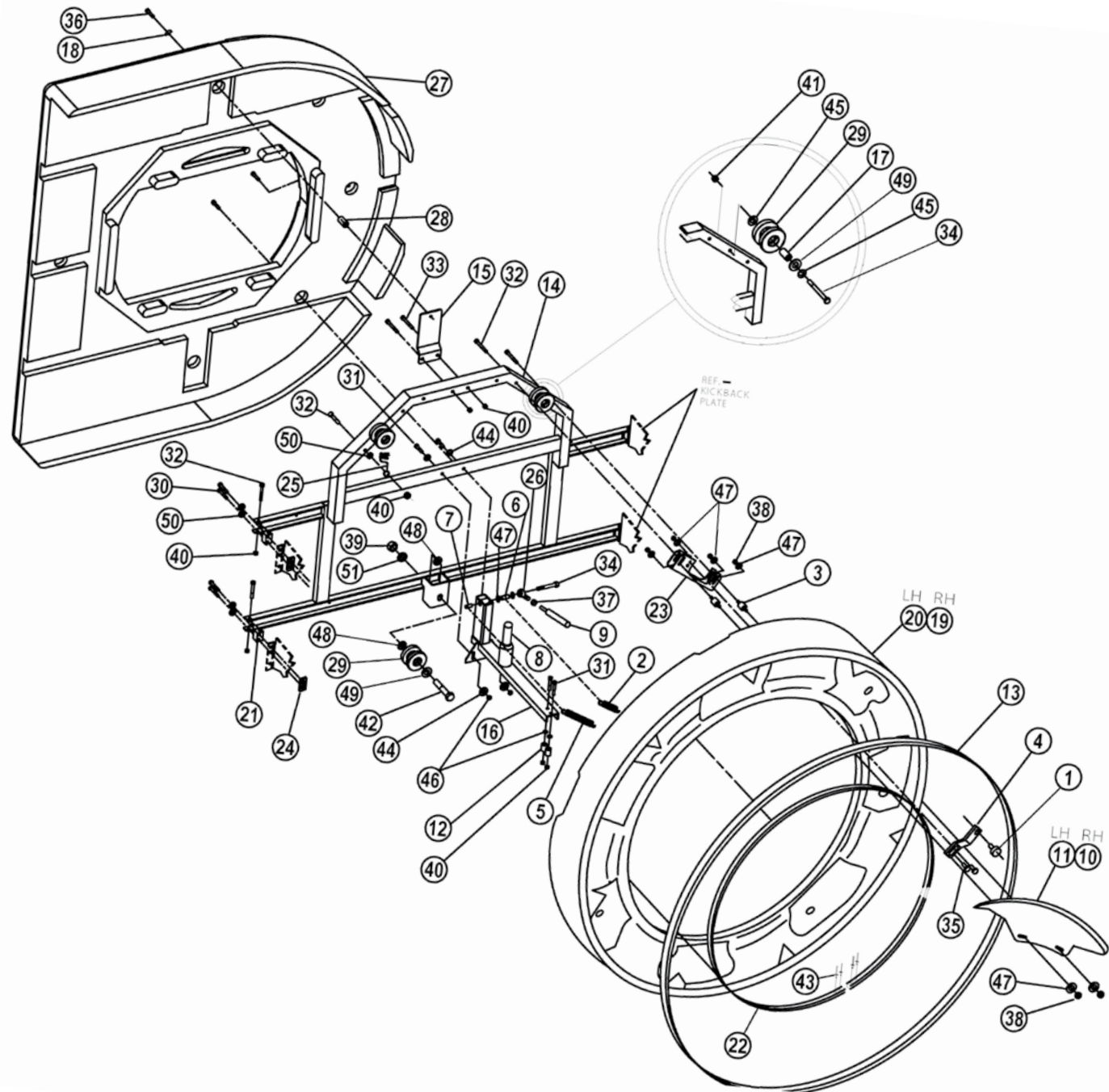


## CUSHION AND SHOCK ABSORBER ASSEMBLY

| ITEM | QTY | PART NUMBER   | DESCRIPTION                              |
|------|-----|---------------|--|
| 1    | 1   | 000 022 286   | Cushion strut collar                     |
| 2    | 1   | 000 022 287   | Spring seating washer                    |
| 3    | 1   | 000 022 288   | Spring                                   |
| 4    | 1   | 000 022 770   | Sponge rubber cushion pad                |
| 5    | 2   | 000 022 821   | Pin                                      |
| 6    | 2   | 000 022 822   | Sleeve                                   |
| 7    | 1   | 000 022 823   | Shock absorber w/upper collar            |
| 8    | 1   | 000 022 824   | Shock assy                               |
|      |     |               | Includes items 1, 2, 3, 6, 7, 37, and 45 |
| 9    | 1   | 000 024 534   | Hanger ear                               |
| 10   | 1   | 000 024 795   | Plank, L.H. Machine (even)               |
| 11   | 1   | 000 024 796   | Plank, R.H. Machine (odd)                |
| 12   | 4   | 000 024 801BG | washer, bag of 2                         |
| 13   | 1   | 000 024 807   | Rubber cushion, R.H. Machine (odd)       |
| 14   | 1   | 000 024 808   | Rubber cushion, L.H. Machine (even)      |
| 15   | 1   | 000 026 450   | Curtain assembly                         |
| 16   | 16  | 000 028 519   | Rivet, rubber                            |
| 17   |     | 000 028 529   | Rivet, urethane                          |
| 18   | 1   | 070 001 389   | Curtain latch spring                     |
| 19   | 1   | 070 001 396   | Curtain latch pin                        |
| 20   | 2   | 070 001 421   | Strap                                    |
| 21   | 2   | 070 001 422   | U-bolt                                   |
| 22   | 1   | 070 001 432   | Pad                                      |
| 23   | 1   | 070 002 050   | Tube weldment, R.H. Machine (odd)        |
| 24   | 1   | 070 002 252   | Tube weldment, L.H. Machine (even)       |
| 25   | 1   | 070 004 738   | Guard                                    |
| 26   | 1   | 070 005 610   | Curtain link                             |
| 27   | 1   | 070 007 360   | Support bracket weldment                 |
| 28   | 1   | 070 011 286   | Curtain rod bushing                      |
| 29   | 1   | 070 011 288   | Curtain rod                              |
| 30   | 1   | 090 005 230   | Cushion cover                            |

| ITEM | QTY | PART NUMBER   | DESCRIPTION   |
|------|-----|---------------|---|
| 31   | 2   | 808 865 320BG | Screw, flat head, 3/8 - 16 x 2, Bag of 10           |
| 32   | 2   | 808 865 400BG | Screw, flat head, 3/8 - 16 x 2-1/2, Bag of 10       |
| 33   | 2   | 809 849 125   | Screw, hex, 1/4 - 20 x 3/4                          |
| 34   | 2   | 809 857 125BG | Screw, hex, 5/16 - 18 x 3/4, Bag of 10              |
| 35   | 1   | 809 857 165BG | Screw, hex, 5/16 - 18 x 1, Bag of 10                |
| 36   | 1   | 809 857 205BG | Screw, hex, 5/16 - 18 x 1-1/4, Bag of 10            |
| 37   | 1   | 810 250 200BG | Screw, socket head cap, 1/4 - 28 x 1-1/4, Bag of 10 |
| 38   | 7   | 844 057 002BG | Nut, stover lock, 5/16 - 18, Bag of 10              |
| 39   | 4   | 844 065 002BG | Nut-stover lock, 3/8 - 16, Bag of 10                |
| 40   | 1   | 913 431 160BG | Spring pin, .156 X 1, Bag of 10                     |
| 41   | 2   | 913 437 240BG | Spring pin, .187 X 1-1/2, Bag of 10                 |
| 42   | 2   | 945 091 242   | Washer, 1-1/2 x 1 x .046                            |
| 43   | 1   | 948 761 112BG | Washer, 11/32 x 11/16 x 1/16, Bag of 10             |
| 44   | 4   | 948 975 172BG | Washer, flat, 1-1/16 x 17/32 x 3/32, Bag of 10      |
| 45   | 1   | 951 148 002BG | Washer, split lock, 1/4, Bag of 10                  |
| 46   | 4   | 951 164 002BG | Washer, split lock, 3/8, Bag of 10                  |
| 47   | 4   | 963 600 002BG | X-washer, Bag of 10                                 |

# PIN ELEVATOR & HOOP ASSEMBLY

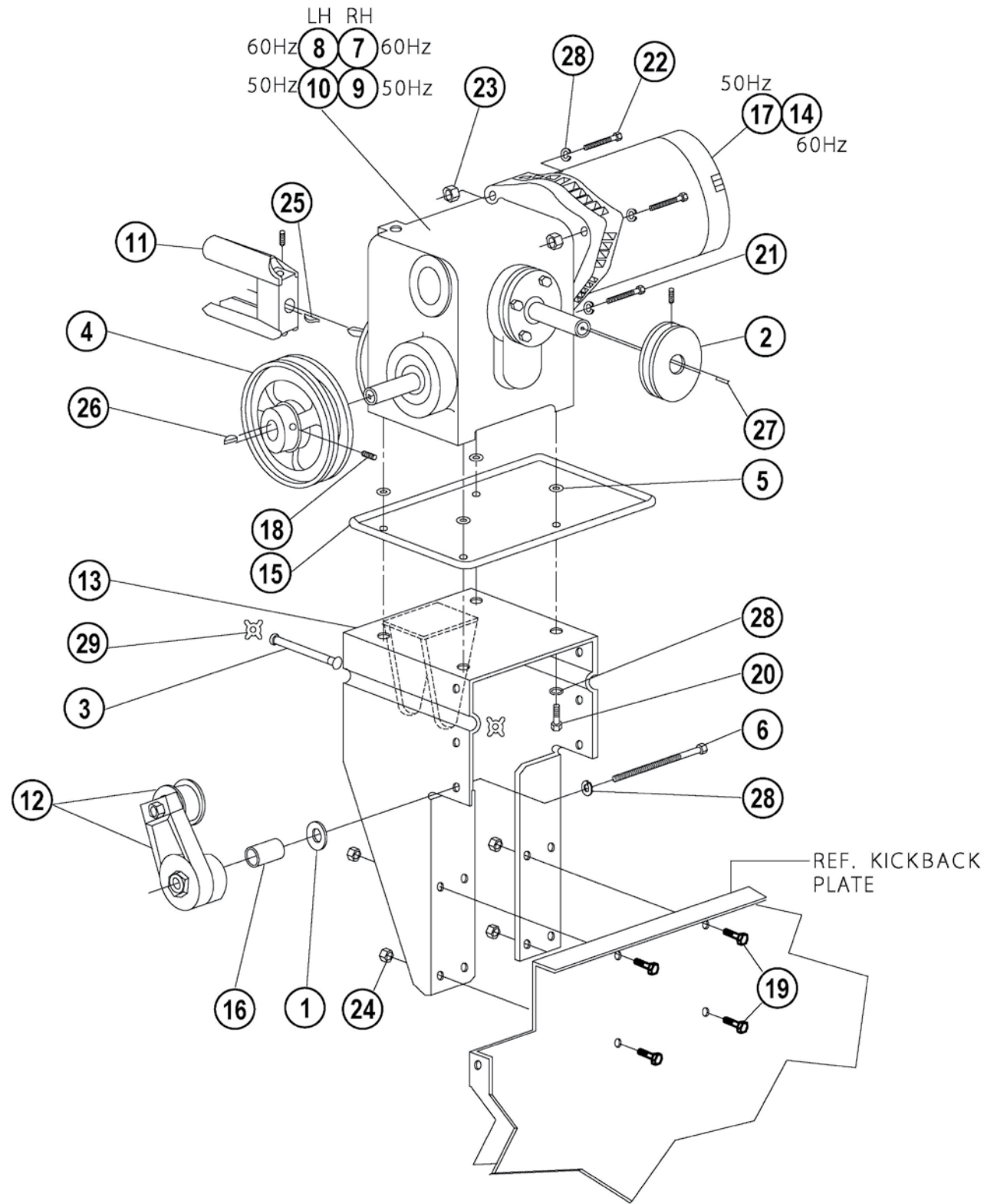


## PIN ELEVATOR & HOOP ASSEMBLY

| ITEM | QTY | PART NUMBER   | DESCRIPTION  |
|------|-----|---------------|--|
| 1    | 1   | 000 021 992BG | Bumper, Bag of 10                                  |
| 2    | 1   | 000 026 032   | Distributor lateral drive spring                   |
| 3    | 2   | 000 029 068   | Rubber mounting                                    |
| 4    | 1   | 070 001 415   | Rail stop bracket                                  |
| 5    | 1   | 070 006 030   | Safety link spring                                 |
| 6    | 1   | 070 006 043   | Spacer   |
| 7    | 1   | 070 006 044   | Spring post nut, 3/8 - 16                          |
| 8    | 1   | 070 006 045   | Distributor support post                           |
| 9    | 1   | 070 006 047   | Safety link tube                                   |
| 10   | 1   | 070 006 098   | Rail, R.H. Machine (odd - not shown)               |
| 11   | 1   | 070 006 099   | Rail, L.H. Machine (even)                          |
| 12   | 2   | 070 008 449   | Spacer   |
| 13   | 1   | 090 002 065   | Pin wheel belt                                     |
| 14   | 1   | 090 003 102   | Hoop weldment                                      |
| 15   | 1   | 090 003 111   | Upper guard support                                |
| 16   | 1   | 090 003 112   | Distributor mount                                  |
| 17   | 2   | 090 003 116   | Spacer   |
| 18   | 4   | 090 004 055   | Washer   |
| 19   | 1   | 090 004 116   | Pin wheel weldment, R.H. Machine (odd - not shown) |
| 20   | 1   | 090 004 117   | Pin wheel weldment, L.H. Machine (even)            |
| 21   | 4   | 090 005 106   | Hinge/spacer                                       |
| 22   | 1   | 090 005 108   | Pin wheel strip                                    |
| 23   | 1   | 090 005 120   | Rail standoff bracket                              |
| 24   | 4   | 090 005 123   | Nut plate  |
| 25   | 1   | 090 005 144   | Static brush                                       |
| 26   | 1   | 090 005 256   | Rod end  |
| 27   | 1   | 090 007 145   | Wheel guard, reversible                            |
| 28   | 4   | 090 007 241   | Spacer   |
| 29   | 3   | 090 007 327   | Pin elevator roller                                |
| 30   | 8   | 809 857 325BG | Screw, hex, 5/16-18 x 2 Bag of 10                  |
| 31   | 6   | 809 857 365   | Screw, hex, 5/16 - 18 x 2-1/4                      |
| 32   | 7   | 809 857 405BG | Screw, hex, 5/16 - 18 x 2-1/2 Bag of 10            |
| 33   | 2   | 809 857 445   | Screw, hex, 5/16 - 18 x 2-3/4                      |
| 34   | 2   | 809 865 725BG | Screw, hex, 3/8 - 16 x 4-1/2 Bag of 10             |

| ITEM | QTY | PART NUMBER   | DESCRIPTION                                   |
|------|-----|---------------|---|
| 35   | 2   | 824 757 102   | Screw, washer head, 5/16 - 18 x 5/8           |
| 36   | 4   | 826 057 242   | Screw, thread forming, 5/16 - 18 x 1-1/2      |
| 37   | 1   | 831 566 002BG | Nut, hex, 3/8 - 24 Bag of 10                  |
| 38   | 4   | 834 557 002BG | Nut, hex, 5/16 - 18 Bag of 10                 |
| 39   | 1   | 840 381 002BG | Nut, flex lock, 5/8-11 Bag of 10              |
| 40   | 12  | 844 057 002BG | Nut, stover lock, 5/16 - 18 Bag of 10         |
| 41   | 2   | 844 065 002BG | Nut, stover lock, 3/8 - 16 Bag of 10          |
| 42   | 1   | 880 781 240   | Shoulder bolt, socket head, 3/4 x 1-1/2       |
| 43   | 4   | 938 523 050   | Pop rivet, 1/8 x .251 X .31                   |
| 44   | 4   | 947 356 617   | Washer, flat, 11/32 x 5/16                    |
| 45   | 4   | 947 367 141   | Washer, 7/8 x 13/32 x 1/8                     |
| 46   | 10  | 948 761 112BG | Washer, flat, 11/16 x 11/32 x 1/16, Bag of 10 |
| 47   | 6   | 948 767 132BG | Washer, 13/16 x 13/32 x 1/16, Bag of 10       |
| 48   | 1   | 948 809 210   | Washer, flat, 1-5/16 x 5/8 x .09              |
| 49   | 3   | 950 001 008   | Washer, nylon, .750 X 1.25 X .08              |
| 50   | 9   | 951 156 002   | Washer, split lock, 5/16                      |
| 51   | 1   | 951 181 002   | Washer, split lock, 5/8                       |

# BACK END DRIVE MOTOR & BRACKET ASSEMBLY

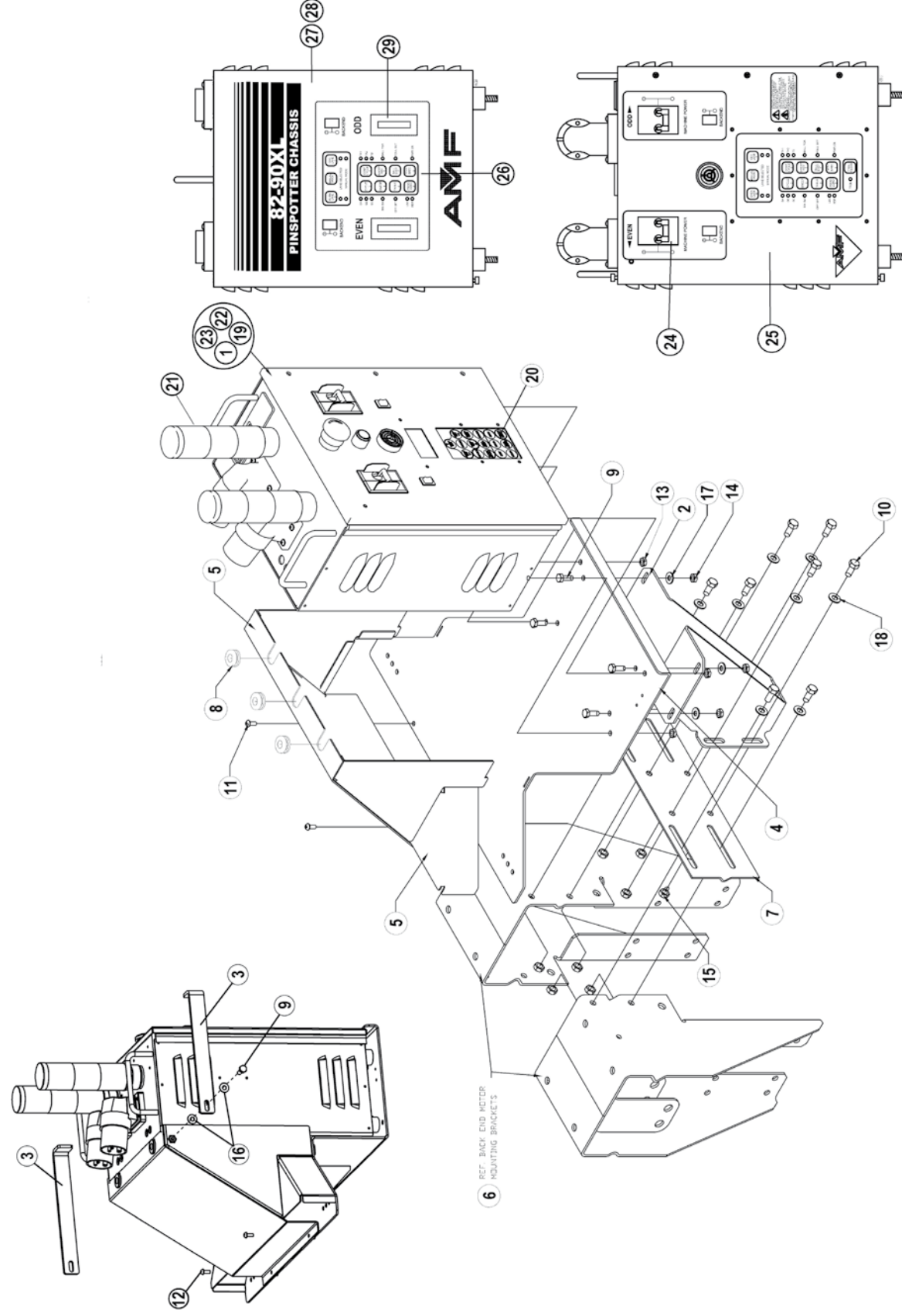


## BACK END DRIVE MOTOR & BRACKET ASSEMBLY

| ITEM | QTY | PART NUMBER   | DESCRIPTION                                  |
|------|-----|---------------|--|
| 1    | 1   | 000 021 792   | Washer, flat, 7/8 x 13/32 x 1/8              |
| 2    | 1   | 000 022 172   | Drive sheave                                 |
| 3    | 1   | 000 022 821   | Pin  |
| 4    | 1   | 000 023 673   | Pin elevator drive sheave                    |
| 5    | 4   | 000 023 758BG | Gasket washer, 7/8 x 3/8 x 1/32<br>Bag of 10 |
| 6    | 1   | 070 003 221   | Screw, hex, 3/8 - 16 x 3-1/2                 |
| 7    | 1   | 088 004 501   | Gearbox, R.H. Machine, 60 hz (odd)           |
| 8    | 1   | 088 004 502   | Gearbox, L.H. Machine, 60 hz (even)          |
| 9    | 1   | 088 004 506   | Gearbox, R.H. Machine, 50 hz (odd)           |
| 10   | 1   | 088 004 507   | Gearbox, L.H. Machine, 50 hz (even)          |
| 11   | 1   | 090 001 130   | Distributor drive housing                    |
| 12   | 1   | 090 003 508   | Tensioner assembly                           |
| 13   | 1   | 090 003 509   | Motor mount weldment                         |
| 14   | 1   | 090 003 766   | Motor, 60 hz                                 |
| 15   | 1   | 090 004 517   | Back end motor drip pan                      |
| 16   | 1   | 090 004 519   | Spacer                                       |
| 17   | 1   | 090 007 310   | Motor, 50 hz                                 |
| 18   | 3   | 807 358 060BG | Setscrew, 5/16 - 24 x 3/8<br>Bag of 10       |
| 19   | 4   | 809 857 125BG | Screw, hex, 5/16 - 18 x 3/4<br>Bag of 10     |
| 20   | 4   | 809 865 165BG | Screw, hex, 3/8 - 16 x 1<br>Bag of 10        |

| ITEM | QTY | PART NUMBER   | DESCRIPTION                               |
|------|-----|---------------|---|
| 21   | 1   | 809 865 245BG | Screw, hex, 3/8 - 16 x 1-1/2<br>Bag of 10 |
| 22   | 2   | 809 865 325BG | Screw, hex, 3/8 - 16 x 2<br>Bag of 10     |
| 23   | 2   | 839 665 002BG | Nut, flex lock, 3/8 - 16<br>Bag of 10     |
| 24   | 4   | 844 057 002BG | Nut, stover lock, 5/16 - 18<br>Bag of 10  |
| 25   | 1   | 907 000 300BG | Key, Bag of 10                            |
| 26   | 1   | 907 201 000   | Key, square, 3/16 x 1-1/4                 |
| 27   | 1   | 907 202 600   | Key, square, 3/16 x 1-7/8                 |
| 28   | 8   | 951 164 002BG | Washer, split lock, 3/8<br>Bag of 10      |
| 29   | 2   | 963 600 002BG | X-washer, Bag of 10                       |





## CHASSIS & MOUNTING BRACKET ASSEMBLY

| ITEM | QTY | PART NUMBER    | DESCRIPTION                                       |
|------|-----|----------------|---|
| 1    | 1   | 088 000 001 02 | 90XL pinspotter controller (220v 50/60hz), w/o t2 |
| 2    | 1   | 088 000 068    | Chassis support bracket                           |
| 3    | 2   | 088 200 180    | Chassis rear cover strap                          |
| 4    | 1   | 088 200 486    | Controller mounting weldment                      |
| 5    | 1   | 088 200 568    | Chassis cover assembly, wide                      |
| 6    | 2   | 090 003 509    | Motor mount weldment                              |
| 7    | 1   | 090 004 513    | Tie plate   |
| 8    | 3   | 711 520 012    | Grommet, 5/8 x 7/8 x 1/16                         |
| 9    | 8   | 809 849 125    | Screw, hex, 1/4 - 20 x 3/4                        |
| 10   | 8   | 809 857 125BG  | Screw, hex, 5/16 - 18 x 3/4 - Bag of 10           |
| 11   | 2   | 812 840 082BG  | Screw, round head, 10 - 32 x 1/2 - Bag of 10      |
| 12   | 2   | 818 240 082    | Screw, round head, 10-32 x 1/2, sems              |
| 13   | 6   | 835 549 002BG  | Nut, hex jam, 1/4 - 20, Bag of 10                 |
| 14   | 4   | 844 049 002BG  | Nut, stover lock, 1/4 - 20, Bag of 10             |
| 15   | 8   | 844 057 002BG  | Nut, stover lock, 5/16 - 18, Bag of 10            |
| 16   | 4   | 948 753 101    | Washer, flat, 1/4, black                          |
| 17   | 4   | 948 753 102BG  | Washer, flat, 9/32 x 5/8 x 1/16 - Bag of 10       |
| 18   | 8   | 948 761 112BG  | Washer, flat, 11/32 x 11/16 x 1/16 - Bag of 10    |

## 90XL CHASSIS (BLACK)

| ITEM      | PART NUMBER   | DESCRIPTION                         |
|-----------|---------------|-------------------------------------|
| Not Shown | 090 002 775   | Solenoid & Pit Light Fuse, 1A, 250V |
| Not Shown | 090 002 776   | Fuse, Logic Power, 1A, Fast Blow    |
| Not Shown | 090 005 706   | Logic Power Cable                   |
| Not Shown | 090 005 714   | Front End Box Power Cable           |
| Not Shown | 090 005 733   | Front End Box Communication Cable   |
| Not Shown | 090 005 748   | Home Run Cable, MCU                 |
| Not Shown | 090 005 749   | Daisy Chain Cable                   |
| Not Shown | 090 005 794   | Terminator Cable                    |
| Not Shown | 090 005 855   | Ac Power Cable                      |
| 24        | 090 008 939   | XL Chassis Circuit Breaker          |
| Not Shown | 294 002 252   | Power Supply Fuse, 2A, 250V         |
| Not Shown | 400 090 005   | XL Chassis Manual                   |
| 25        | 620 908 965CR | Rebuilt XL Pinspotter Chassis       |
| Not Shown | 743 000 307   | Braking Capacitor, 220V             |
| Not Shown | 770 046 227   | Power Supply PCB                    |

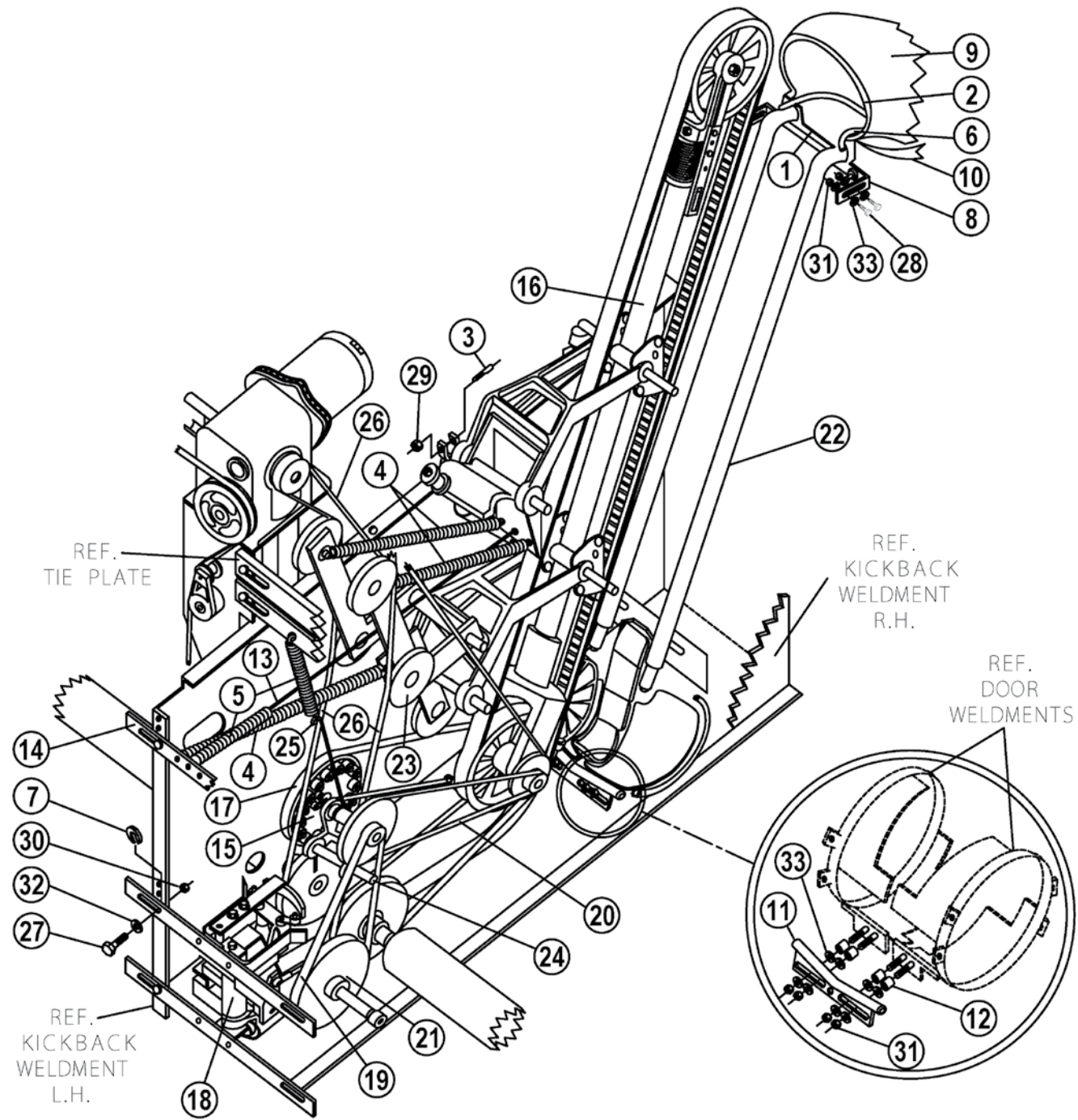
## XLI CHASSIS COMPONENTS

| ITEM      | PART NUMBER      | DESCRIPTION                            |
|-----------|------------------|--|
| 19        | 088 000 001 02CE | XLi CE chassis w/o T2                  |
| 20        | 088 000 019      | Switch membrane, keypad                |
| Not shown | 088 000 104      | Home run cable, mcu                    |
| Not shown | 088 000 151      | Stacklight bulb, push-in pin lock base |
| Not shown | 088 000 152      | Logic power fuse, 1a, 250v             |
| Not shown | 088 000 153      | Solenoid & pit light fuse, 1a, 250v    |
| Not shown | 088 000 213      | Stacklight bulb, screw base            |
| 21        | 088 000 225      | Led stacklight assembly                |
| Not shown | 090 005 706      | Logic power cable                      |
| Not shown | 090 005 749      | Daisy chain cable                      |
| Not shown | 090 005 794      | Terminator cable                       |
| Not shown | 090 005 855      | Ac power cable                         |
| Not shown | 400 088 009      | XLi chassis manual                     |
| 22        | 620 880 001      | Rebuilt XLi chassis                    |
| 23        | 620 880 001 02CE | Rebuilt XLi ce chassis w/o T2          |

## XL CHASSIS (SILVER & 8800)

| ITEM      | PART NUMBER | DESCRIPTION                       |
|-----------|-------------|-----------------------------------|
| Not Shown | 090 003 748 | Brake Capacitor, 110V             |
| Not Shown | 090 005 714 | Front End Box Power Cable         |
| Not Shown | 090 005 733 | Front End Box Communication Cable |
| Not Shown | 090 005 748 | Home Run Cable, MCU               |
| Not Shown | 090 005 749 | Daisy Chain Cable                 |
| 26        | 090 006 810 | Switch Overlay, Keypad            |
| Not Shown | 294 002 252 | Power Supply Fuse, 2A, 250V       |
| Not Shown | 610 009 040 | Xi Chassis Manual                 |
| 27        | 620 905 700 | Rebuilt Chassis, 115V             |
| 28        | 620 905 769 | Rebuilt Chassis, 220V, CE         |
| Not Shown | 743 000 307 | Braking Capacitor, 220V           |
| 29        | 743 513 028 | Breaker, 30A                      |
| Not Shown | 755 520 062 | Relay, Sweep And Table            |
| Not Shown | 755 520 074 | Relay, 1.5A, Solenoid & Pit Light |
| Not Shown | 770 046 227 | Power Supply                      |

# POSITIVE BALL LIFT (PBL)

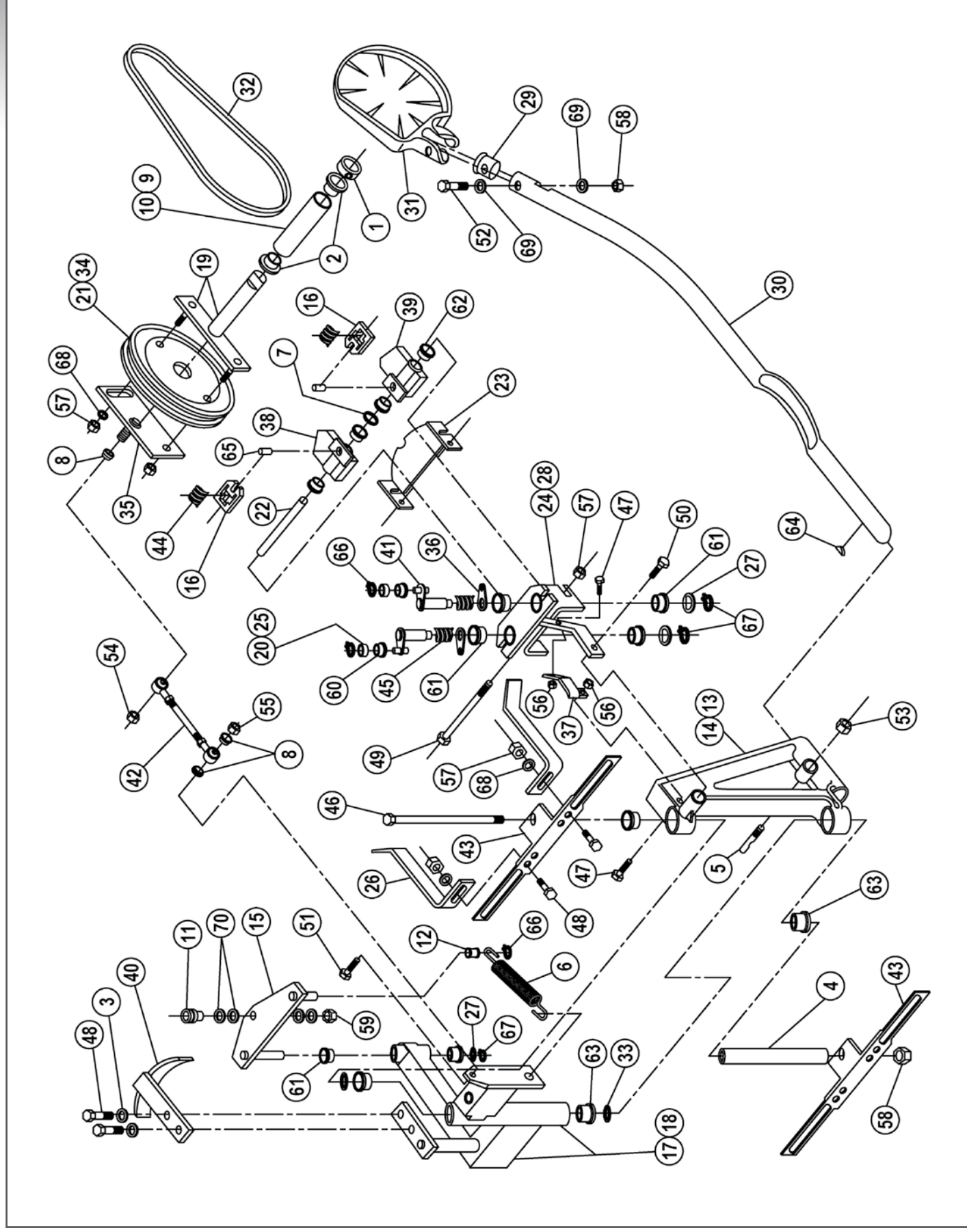


## POSITIVE BALL LIFT (PBL)

| ITEM | QTY | PART NUMBER | DESCRIPTION                      |
|------|-----|-------------|----------------------------------|
| 1    | 1   | 000 021 813 | Wiper Support                    |
| 2    | 2   | 000 021 814 | Wiper Cloth Ring                 |
| 3    | 6   | 000 024 610 | Clamp Stud                       |
| 4    | 3   | 000 024 673 | Spring                           |
| 5    | 2   | 000 026 031 | Spring                           |
| 6    | 1   | 000 029 629 | Down Sweep Weldment              |
| 7    | 14  | 000 029 910 | Shim                             |
| 8    | 4   | 070 004 654 | Track Support Bracket            |
| 9    | 1   | 070 004 669 | Ball Wiper Cloth                 |
| 10   | 1   | 070 004 670 | Dust Trap                        |
| 11   | 1   | 070 008 207 | Rail Weldment                    |
| 12   | 4   | 070 008 212 | Spacer                           |
| 13   | 1   | 070 011 034 | Extension Rod                    |
| 14   | 1   | 070 011 035 | Strap                            |
| 15   | 1   | 070 011 039 | Ratchet Assembly                 |
| 16   | 1   | 070 011 052 | Ball Lift Assembly               |
|      |     |             | See Later Page For Full Assembly |
| 17   | 1   | 070 011 064 | V- Belt, Ratchet Drive           |
| 18   | 1   | 070 011 120 | Light Ball Sensor Assembly       |
| 19   | 1   | 070 011 147 | V- Belt, Paddle Drive, Lower     |
| 20   | 1   | 070 011 148 | V- Belt, Paddle Drive, Upper     |
| 21   | 1   | 070 011 178 | Crank Assembly                   |
| 22   | 1   | 070 011 414 | Track Rail Assembly              |

| ITEM | QTY | PART NUMBER   | DESCRIPTION                               |
|------|-----|---------------|---|
| 23   | 1   | 070 011 810   | Belt Tightener                            |
| 24   | 1   | 090 002 015   | Belt Tensioner Assembly                   |
| 25   | 1   | 090 002 016   | Spring Extension                          |
| 26   | 2   | 090 004 520   | V- Belt, Carpet Drive                     |
| 27   | 12  | 809 857 165BG | Screw, Hex, 5/16 - 18 X 1<br>Bag Of 10    |
| 28   | 8   | 809 865 285   | Screw, Hex, 3/8 - 16 X 1-3/4              |
| 29   | 6   | 831 565 002BG | Nut, Hex, 3/8 - 16, Bag Of 10             |
| 30   | 12  | 844 057 002BG | Nut, Stover Lock, 5/16 - 18<br>Bag Of 10  |
| 31   | 20  | 844 065 002BG | Nut, Stover Lock, 3/8 - 16<br>Bag Of 10   |
| 32   | 8   | 948 761 112BG | Washer, 11/32 X 11/16 X 1/16<br>Bag Of 10 |
| 33   | 74  | 948 767 132BG | Washer, 13/32 X 13/16 X 1/16<br>Bag Of 10 |

# PBL LIGHT BALL SENSOR ASSEMBLY

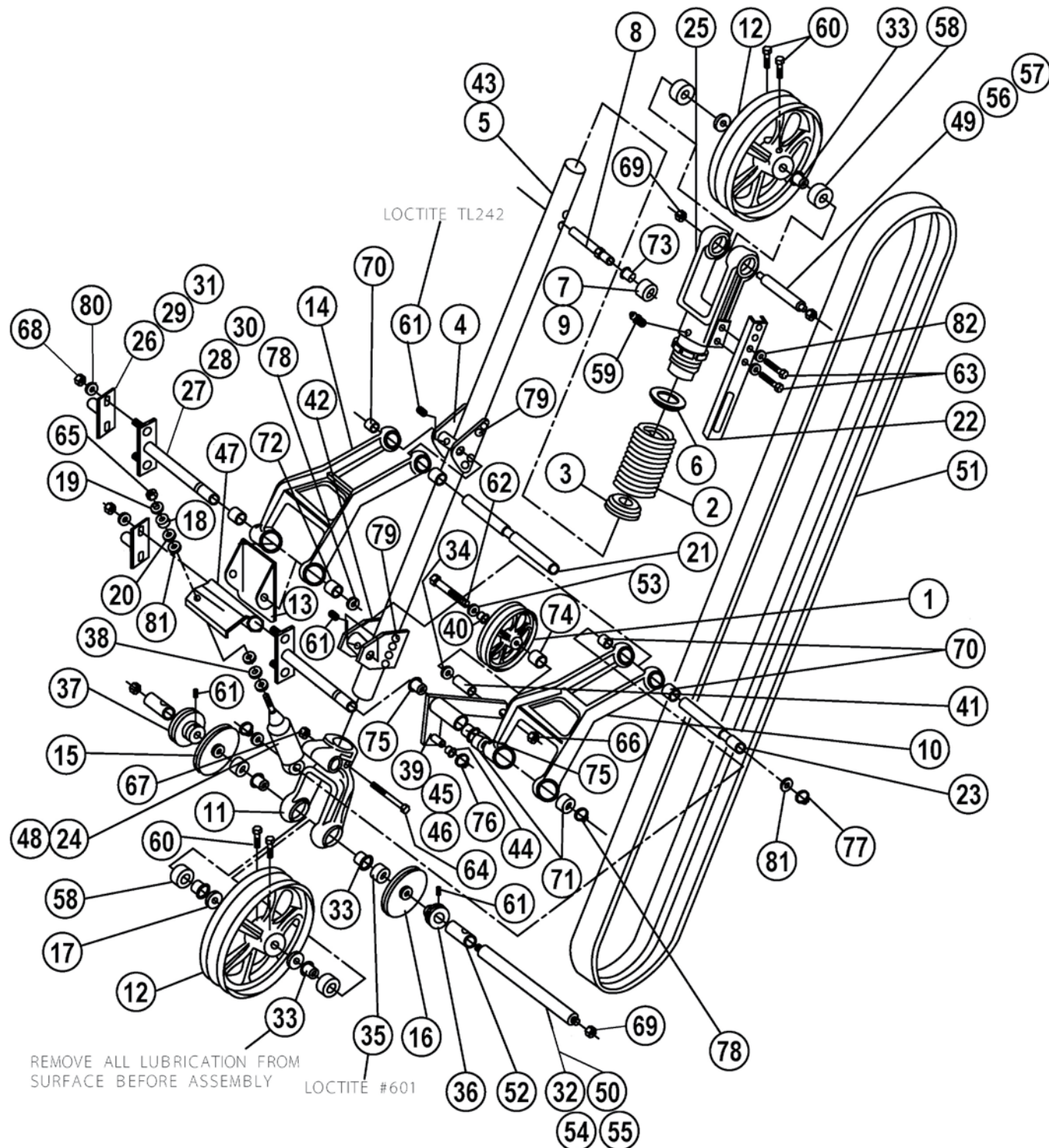


## PBL LIGHT BALL SENSOR ASSEMBLY

| ITEM | QTY | PART NUMBER   | DESCRIPTION                                      |
|------|-----|---------------|--|
| 1    | 2   | 000 021 423   | Collar With Setscrew                             |
| 2    | 2   | 000 021 427   | Flanged Bearing, .629 X .878 X 1/8               |
| 3    | 2   | 000 022 869BG | Washer, 3/8", Bag Of 10                          |
| 4    | 1   | 000 024 615   | Shaft  |
| 5    | 1   | 000 024 616   | Clamp Stud                                       |
| 6    | 1   | 000 026 031   | Spring   |
| 7    | 1   | 000 027 264   | Spacer   |
| 8    | 3   | 000 029 611BG | Washer, Uniball Bearing, Bag Of 10               |
| 9    | 1   | 000 029 696   | Adjustment Tube Assy - Includes Items 2 and 10   |
| 10   | 1   | 000 029 697   | Adjustment Tube                                  |
| 11   | 1   | 070 006 728   | Cam Follower                                     |
| 12   | 1   | 070 011 040BG | Ratchet Roller, Bag Of 10                        |
| 13   | 1   | 070 011 066   | Rudder Arm Support Assy - Includes Items 14 & 63 |
| 14   | 1   | 070 011 067   | Rudder Arm Support                               |
| 15   | 1   | 070 011 068   | Link Weldment                                    |
| 16   | 2   | 070 011 077   | Trip Finger                                      |
| 17   | 1   | 070 011 079   | Rudder Drive Weldment                            |
| 18   | 1   | 070 011 080   | Rudder Drive Assy - Includes Items 17, 61 & 63   |
| 19   | 1   | 070 011 092   | Crank Shaft Weldment                             |
| 20   | 2   | 070 011 096   | Roller   |
| 21   | 1   | 070 011 097   | Crank Pulley                                     |
| 22   | 1   | 070 011 098   | Sleeve   |
| 23   | 1   | 070 011 099P  | Cam  |
| 24   | 1   | 070 011 100   | Cam Sensor Weldment                              |
| 25   | 2   | 070 011 105   | Roller Assembly - Includes Items 20 & 60         |
| 26   | 2   | 070 011 107   | Trip Arm (Reset Cam)                             |
| 27   | 3   | 070 011 108   | Washer   |
| 28   | 1   | 070 011 110   | Cam Sensor Assy - Includes Items 24 and 61       |
| 29   | 1   | 070 011 121   | Plug   |
| 30   | 1   | 070 011 122   | Rudder Arm                                       |
| 31   | 1   | 070 011 146   | Paddle   |
| 32   | 1   | 070 011 148   | V-Belt, Paddle Drive, Upper                      |
| 33   | 2   | 070 011 151   | Spacer   |
| 34   | 1   | 070 011 178   | Rudder Drive Crank Assy                          |
| 35   | 1   | 070 011 225   | Includes Items 19, 21, 35, 54, 57 & 68           |
| 36   | 2   | 070 011 273   | Crank Adjustment Plate Weldment                  |
| 37   | 1   | 070 011 299   | Tab  |
|      |     |               | Sensor Brace                                     |

| ITEM | QTY | PART NUMBER   | DESCRIPTION   |
|------|-----|---------------|---|
| 38   | 1   | 070 011 406   | Rudder Cam Assy, R.H. (Even)<br>Includes Rudder Cam And Items 62 & 65 |
| 39   | 1   | 070 011 407   | Rudder Cam Assy, L.H. (Odd)<br>Includes Cam And Items 62 & 65         |
| 40   | 1   | 070 011 418   | Trip Cam  |
| 41   | 2   | 070 011 626   | Trip Arm Assembly   |
| 42   | 1   | 090 005 258   | Rod Assembly  |
| 43   | 2   | 090 007 276   | Bracket   |
| 44   | 2   | 722 971 522   | Compression Spring  |
| 45   | 2   | 722 985 512   | Compression Spring  |
| 46   | 1   | 802 865 996BG | Screw, Hex, 3/8 - 16 X 9 1/2 - Bag Of 10                              |
| 47   | 2   | 809 849 125   | Screw, Hex, 1/4 - 20 X 3/4  |
| 48   | 4   | 809 857 165BG | Screw, Hex, 5/16 - 18 X 1 - Bag Of 10                                 |
| 49   | 1   | 809 857 880BG | Screw, Hex, 5/16 - 18 X 5-1/2 - Bag Of 10                             |
| 50   | 1   | 809 865 165BG | Screw, Hex, 3/8 - 16 X 1 - Bag Of 10                                  |
| 51   | 1   | 809 865 205BG | Screw, Hex, 3/8 - 16 X 1 1/4 - Bag Of 10                              |
| 52   | 1   | 809 865 405BG | Screw, Hex, 3/8 - 16 X 2 1/2 - Bag Of 10                              |
| 53   | 1   | 831 573 002BG | Nut, Hex, 1/2 - 13 - Bag Of 10  |
| 54   | 1   | 838 866 002BG | Nut, Hex Lock, 3/8 - 24 - Bag Of 10                                   |
| 55   | 1   | 840 065 002BG | Nut, Flex Lock, 3/8 - 16, Thin - Bag Of 10                            |
| 56   | 2   | 844 049 002BG | Nut, Stover Lock, 1/4 - 20 - Bag Of 10                                |
| 57   | 4   | 844 057 002BG | Nut, Stover Lock, 5/16 - 18 - Bag Of 10                               |
| 58   | 1   | 844 065 002BG | Nut, Flex Lock, 3/8 - 16 - Bag Of 10                                  |
| 59   | 1   | 844 070 002BG | Nut, Stover Lock, 7/16 - 20 - Bag Of 10                               |
| 60   | 2   | 900 205 081BG | Flanged Bearing, .315 X .44 X 1/2 - Bag Of 5                          |
| 61   | 6   | 900 208 091BG | Flanged Bearing, .503 X .690 X 9/16 - Bag Of 5                        |
| 62   | 4   | 900 216 161BG | Flanged Bearing, .503 X .875 - Bag Of 5                               |
| 63   | 4   | 900 212 201BG | Flanged Bearing, .753 X 1 X 1.25 - Bag Of 5                           |
| 64   | 1   | 907 000 900BG | Key, Bag Of 10  |
| 65   | 2   | 913 448 120BG | Spring Pin, 1/4 X 3/4, Bag Of 10                                      |
| 66   | 3   | 919 005 200BG | Retaining Ring, Bag Of 10   |
| 67   | 3   | 919 005 500BG | Retaining Ring, Bag Of 10   |
| 68   | 3   | 948 761 112BG | Washer, 11/16 X 11/32 X 1/16 - Bag Of 10                              |
| 69   | 2   | 948 767 132BG | Washer, Flat, 11/16 x 11/32 x 1/16 - Bag Of 10                        |
| 70   | 4   | 949 100 002BG | Washer, Flat, 59/64 X 13/32 X 1/16 - Bag Of 10                        |

# PBL POSITIVE BALL LIFT ASSEMBLY



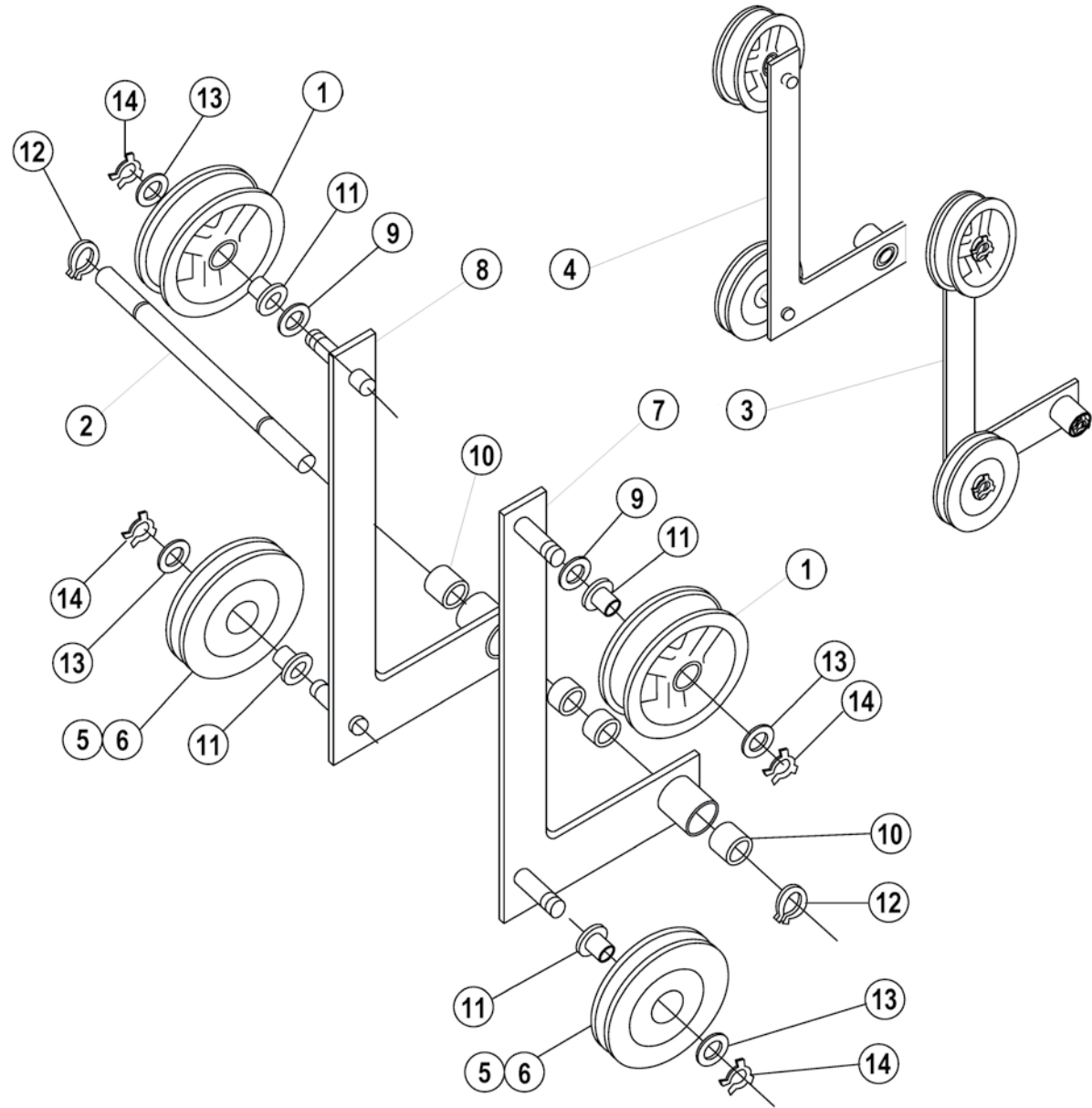
## PBL POSITIVE BALL LIFT ASSEMBLY

| ITEM | QTY | PART NUMBER   | DESCRIPTION   |
|------|-----|---------------|---|
| 1    | 1   | 000 021 408   | Idler Pulley Assy<br>Includes Pulley And Bearing #74                                  |
| 2    | 1   | 000 024 603   | Spring  |
| 3    | 1   | 000 024 605   | Lower Retainer  |
| 4    | 1   | 000 024 606   | Upper Support   |
| 5    | 1   | 000 024 607   | Tube  |
| 6    | 1   | 000 024 608   | Upper Retainer  |
| 7    | 1   | 000 024 647   | Roller  |
| 8    | 1   | 000 024 648   | Pivot Pin   |
| 9    | 1   | 000 024 650   | Roller Assembly - Includes Items 7 & 73   |
| 10   | 1   | 000 024 651   | Link Assy, Lower<br>Includes Casting And Items 70 & 71                                |
| 11   | 1   | 000 024 659   | Lower Yoke  |
| 12   | 2   | 000 024 661   | Pulley  |
| 13   | 1   | 000 024 716   | Spring Holder   |
| 14   | 1   | 000 024 720   | Link Assy, Upper<br>Includes Casting And Items 13, 70 & 72                            |
| 15   | 1   | 000 024 811   | Pulley Assembly, R.H. (Even)  |
| 16   | 1   | 000 024 812   | Pulley Assembly, L.H. (Odd)   |
| 17   | 6   | 000 027 642   | Washer  |
| 18   | 2   | 000 027 996   | Rubber Cushion  |
| 19   | 2   | 000 027 998   | Retainer  |
| 20   | 2   | 000 028 057   | Retainer  |
| 21   | 1   | 000 028 737   | Shaft   |
| 22   | 1   | 000 029 613   | Rail  |
| 23   | 1   | 000 029 660   | Shaft   |
| 24   | 1   | 000 029 661   | Shock Absorber  |
| 25   | 1   | 070 001 995   | Upper Yoke W/ Nut   |
| 26   | 2   | 070 006 320   | Shaft Assy. Adj. 9 1/2" - 11" Spacing   |
| 27   | 2   | 070 006 325   | Shaft Assy. Fxd. 9 1/2" - 11" Spacing   |
| 28   | 2   | 070 006 328   | Shaft Assy. Fxd. 11" - 12-5/8" Spacing  |
| 29   | 2   | 070 006 329   | Shaft Assy Adj. 11" - 12-5/8" Spacing   |
| 30   | 2   | 070 006 330   | Shaft Assy. Fxd. 12-5/8" - 14" Spacing  |
| 31   | 2   | 070 006 333   | Shaft Assy. Adj. 12-5/8" - 14" Spacing  |
| 32   | 1   | 070 006 746   | Shaft, Lower, Straight Bore   |
| 33   | 4   | 070 006 748   | Spacer  |
| 34   | 1   | 070 007 192BG | Washer, Bag Of 10   |
| 35   | 2   | 070 007 291   | Clutch Bearing  |
| 36   | 1   | 070 008 210   | Sheave  |
| 37   | 1   | 070 008 211   | Sheave  |
| 38   | 2   | 070 008 212   | Spacer  |
| 39   | 1   | 070 008 215   | Belt Tightener Weldment   |
| 40   | 1   | 070 008 217   | Short Spacer  |
| 41   | 1   | 070 008 218   | Spacer, Long  |
| 42   | 1   | 070 011 002   | Lower Support   |
| 43   | 1   | 070 011 004   | Tube & Support Assy<br>Includes Items 4, 5, 42 & 79                                   |
| 44   | 1   | 070 011 040BG | Ratchet Roller, Bag Of 10   |
| 45   | 1   | 070 011 041   | Belt Tightener Weldment Assembly<br>Includes Items 39 & 75                            |
| 46   | 1   | 070 011 042   | Belt Tightener Assembly<br>Includes 34, 39 40, 41, 44, 46, 53, 62, 66, 74, 75, and 76 |
| 47   | 1   | 070 011 289   | Shock Absorber Bracket  |
| 48   | 1   | 070 011 323   | Shock Absorber Assembly<br>Includes 18, 19, 20, 23, 24, 38, 47, 65, 77, 81            |
| 49   | 1   | 070 011 795   | Upper Shaft, D-Bore   |
| 50   | 1   | 070 011 796   | Lower Shaft, D-Bore   |

| ITEM | QTY | PART NUMBER   | DESCRIPTION   |
|------|-----|---------------|---|
| 51   | 1   | 088 001 233   | Ball Lift Belt  |
| 52   | 2   | 090 003 401   | Clutch Race, Long   |
| 53   | 1   | 146 005 277   | Washer, Countersunk, 9/32 X 7/8 X 1/8   |
| 54   | 1   | 610 900 708   | D-Bore Shaft & Bearing Kit, Lower<br>Includes D-Bore Shaft, 2 Bearings,<br>2 Spacers, And Installation Instructions |
| 55   | 1   | 610 900 709   | Straight Shaft And Spacer Kit - Lower<br>Includes 2 Bearings, Shaft, Spacers,<br>and Installation Instructions      |
| 56   | 1   | 610 900 711   | Straight Shaft And Spacer Kit - Upper<br>Includes 2 Bearings, Shaft, Spacers,<br>and Installation Instructions      |
| 57   | 1   | 610 900 714   | D-Bore Shaft & Bearing Kit, Upper<br>Includes D-Bore Shaft, 2 Bearings,<br>Spacers, And Installation Instructions   |
| 58   | 1   | 610 905 704   | Straight Bore Bearing & Spacer Kit<br>Includes Bearing, Spacer, and Installation<br>Instructions                    |
| Ns   | Ns- | 700 107 146   | Adhesive, Loctite Tl242 (Not Shown)<br>Apply On Item 61   |
| Ns   | Ns- | 700 107 170   | Loctite #601 (Not Shown) - Apply On Item 35   |
| 59   | 1   | 710 501 007   | Grease Fitting  |
| 60   | 4   | 806 265 160BG | Setscrew, 3/8 - 16 X 1, Bag Of 10   |
| 61   | 4   | 807 265 060   | Setscrew, 3/8 - 16 X 3/8  |
| 62   | 1   | 808 849 565BG | Screw, Flat Head, 1/4 - 20 X 3-1/2<br>Bag Of 10   |
| 63   | 2   | 809 865 165BG | Screw, Hex, 3/8 - 16 X 1, Bag Of 10   |
| 64   | 1   | 809 865 445BG | Screw, Hex, 3/8 - 16 X 2 3/4, Bag Of 10   |
| 65   | 1   | 831 566 002BG | Nut, Hex, 3/8 - 24, Bag Of 10   |
| 66   | 1   | 839 549 002BG | Nut, Flex Lock, 1/4 - 20, Bag Of 10   |
| 67   | 1   | 839 665 002BG | Nut, Flex Lock, 3/8 - 16, Bag Of 10   |
| 68   | 4   | 840 057 002BG | Nut, Stover Lock, 5/16, Bag Of 10   |
| 69   | 4   | 856 070 002BG | Nut, Flanged, 7/16 - 20, Bag Of 10  |
| 70   | 4   | 900 110 121BG | Sleeve Bearing, .628 X 3/4, Bag Of 5  |
| 71   | 2   | 900 112 161BG | Sleeve Bearing, .753 X 1, Bag Of 5  |
| 72   | 2   | 900 112 203BG | Sleeve Bearing, .753 X 1-1/4, Bag Of 5  |
| 73   | 1   | 900 206 081BG | Flanged Bearing, .378 X .688 X 1/2<br>Bag Of 5  |
| 74   | 1   | 900 208 161BG | Flanged Bearing, .503 X .875 X 1<br>Bag Of 5  |
| 75   | 2   | 900 212 161BG | Flanged Bearing, .753 X 1.003 X 1<br>Bag Of 5   |
| 76   | 1   | 919 005 200BG | Retaining Ring, Bag Of 10   |
| 77   | 2   | 919 005 600BG | Retaining Ring, Bag Of 10   |
| 78   | 2   | 919 005 800BG | Retaining Ring, Bag Of 10   |
| 79   | 16  | 937 000 000BG | Rivet, Steel, 1/4 X 11/32, Bag Of 10  |
| 80   | 4   | 948 761 112BG | Washer, Flat, 11/32 X 11/16 X 1/16<br>Bag Of 10   |
| 81   | 2   | 948 983 212BG | Washer, Flat, 1-5/16 X 21/32 X .093<br>Bag Of 10  |
| 82   | 4   | 951 164 002BG | Washer, Split Lock, 3/8, Bag Of 10  |

# PBL BELT TIGHTENER ASSEMBLY

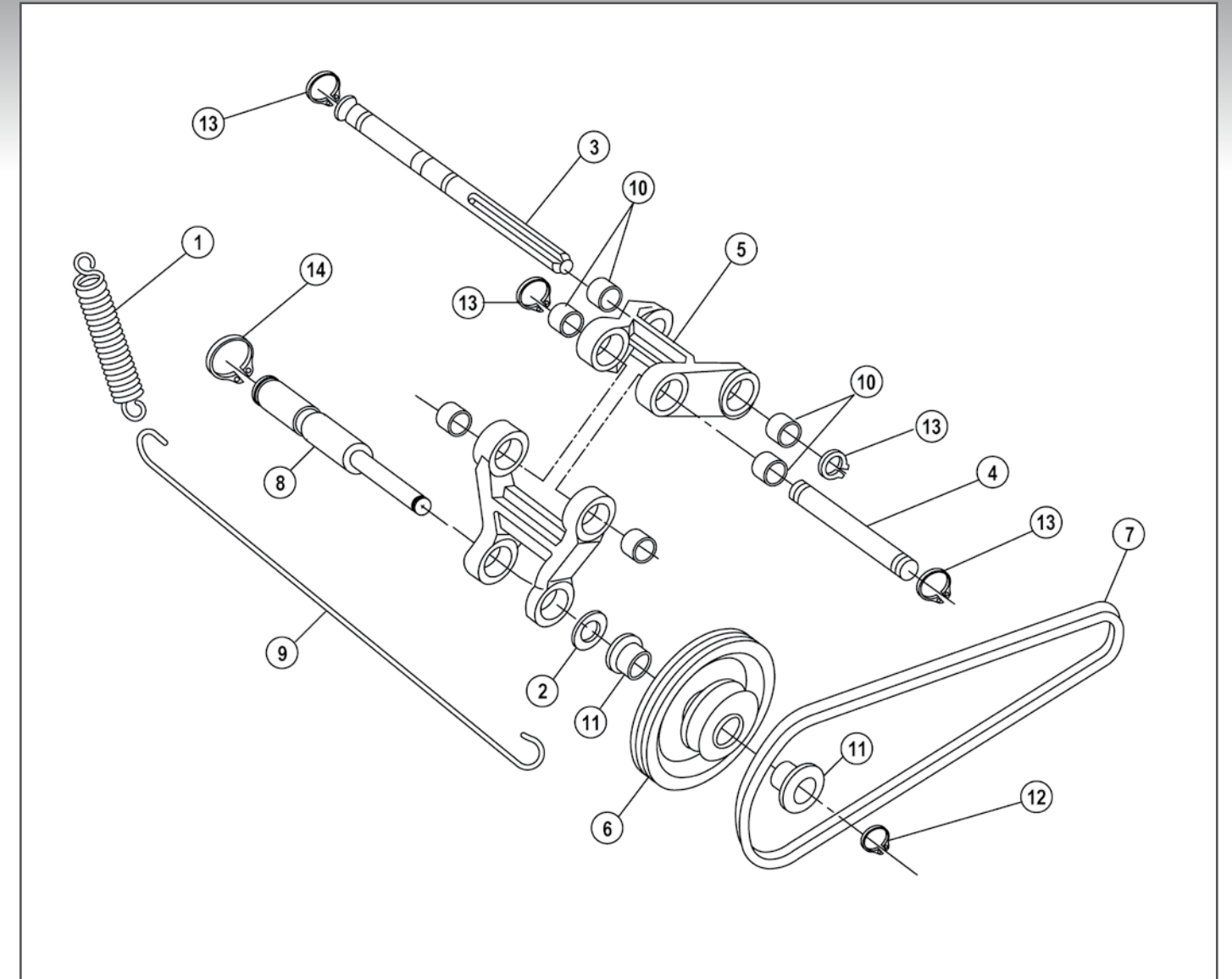
# PBL BELT TENSIONER ASSEMBLY



## PBL BELT TIGHTENER ASSEMBLY

| ITEM | QTY | PART NUMBER | DESCRIPTION  |
|------|-----|-------------|--|
| 1    | 2   | 000 021 408 | Idler Pulley Assy<br>Includes Item 11 and The Pulley                         |
| 2    | 1   | 000 029 603 | Shaft  |
| 3    | 1   | 070 011 523 | Belt Tightener, R.H. Machine (Odd)<br>Includes Items 1, 5, 7, 9, 13, and 14  |
| 4    | 1   | 070 011 524 | Belt Tightener, L.H. Machine (Even)<br>Includes Items 1, 5, 8, 9, 13, and 14 |
| 5    | 2   | 070 011 525 | Idler Sheave Assy - Includes Items 6 and 11                                  |
| 6    | 2   | 070 011 526 | Idler Sheave   |
| 7    | 1   | 070 011 527 | Arm Assy, R.H. Machine (Odd)<br>Includes Weldment And Item 10                |

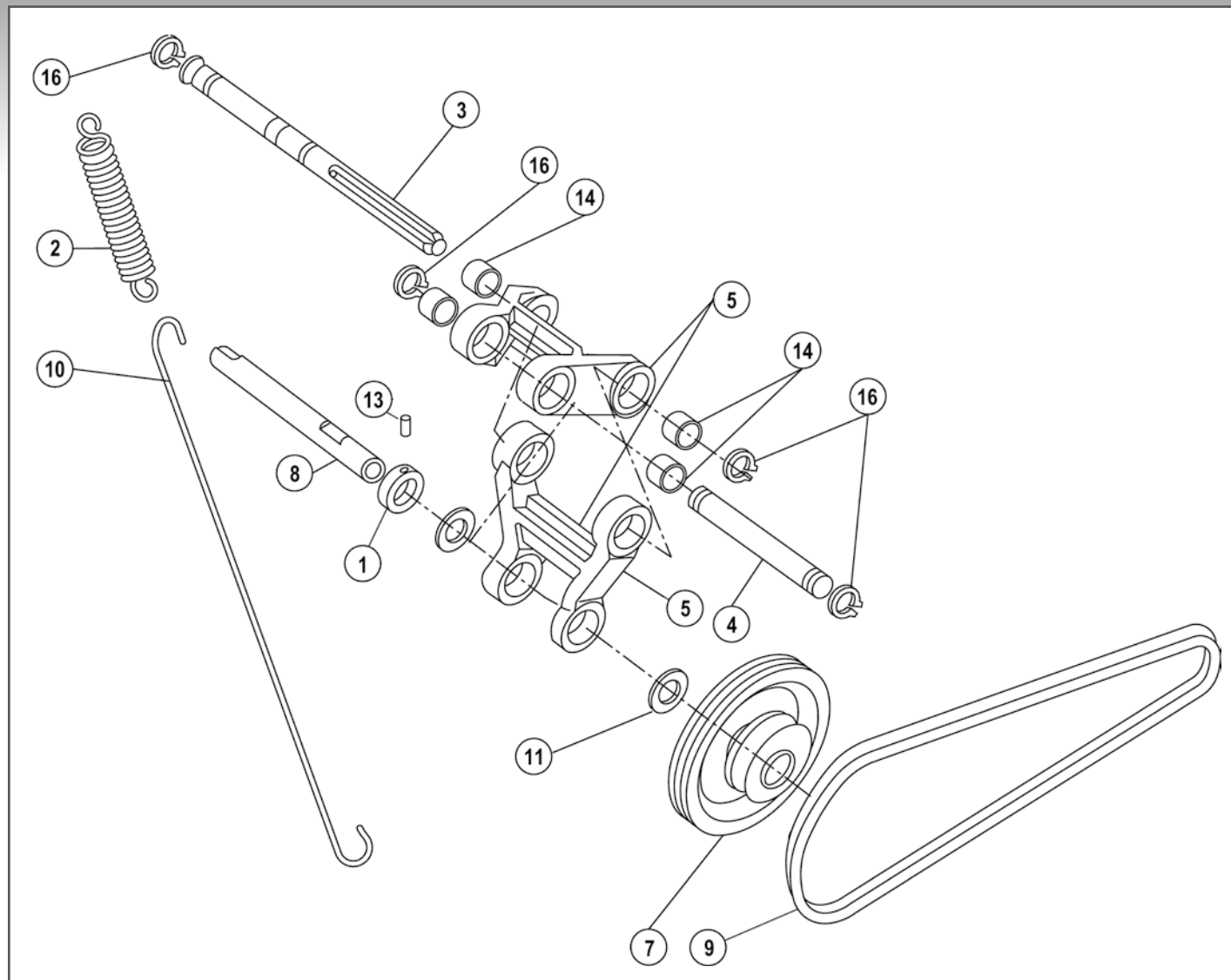
| ITEM | QTY | PART NUMBER   | DESCRIPTION  |
|------|-----|---------------|--|
| 8    | 1   | 070 011 530   | Arm Assy, L.H. Machine (Even)<br>Includes Weldment and Item 10 |
| 9    | 2   | 701 316 041BG | Thrust Bearing, .51 X 1 X 1/16<br>Bag Of 10                    |
| 10   | 4   | 900 112 121   | Sleeve Bearing, .753 X .75                                     |
| 11   | 4   | 900 208 161BG | Flanged Bearing, .503 X .875,<br>Bag Of 5                      |
| 12   | 2   | 919 005 800BG | Retaining Ring, Bag Of 10                                      |
| 13   | 4   | 948 975 172BG | Washer, Flat, 1-1/16 X 17/32 X 3/32<br>Bag Of 10               |
| 14   | 4   | 963 600 002BG | X-Washer, 1/4, Bag Of 10                                       |



## PBL BELT TENSIONER ASSEMBLY

| ITEM | QTY | PART NUMBER   | DESCRIPTION                                     |
|------|-----|---------------|---|
| 1    | 1   | 000 026 031   | Spring  |
| 2    | 1   | 000 027 264   | Spacer  |
| 3    | 1   | 000 029 605   | Pivot Shaft                                     |
| 4    | 1   | 000 029 606   | Pivot Shaft, Short                              |
| 5    | 1   | 000 029 659   | Hanger Arm Assy<br>Includes Casting and Item 10 |
| 6    | 1   | 070 011 131   | Pulley Weldment                                 |
| 7    | 1   | 070 011 147   | V-Belt, Paddle Drive, Lower                     |
| 8    | 1   | 090 002 014   | Shaft   |
| 9    | 1   | 090 002 016   | Spring Extension                                |
| 10   | 6   | 900 110 081BG | Sleeve Bearing, .628 X .878 X .5,<br>Bag Of 5   |
| 11   | 2   | 900 208 120   | Bearing   |
| 12   | 1   | 919 005 500BG | Retaining Ring, Bag Of 10                       |
| 13   | 4   | 919 005 600BG | Retaining Ring, Bag Of 10                       |
| 14   | 1   | 919 005 900BG | Retaining Ring, Bag Of 10                       |

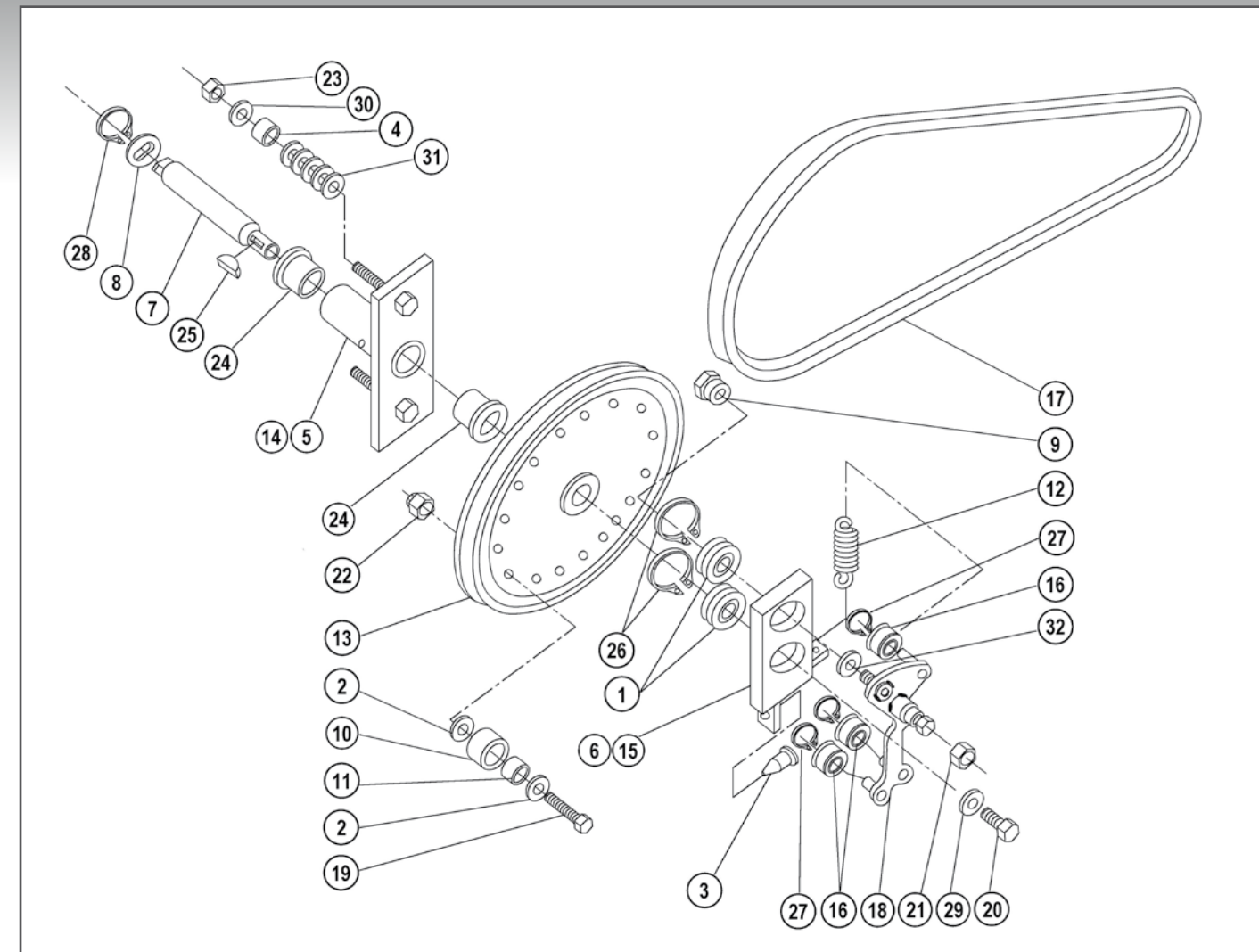
# PBL BELT TENSIONER ASSEMBLY - OLD STYLE



## PBL BELT TENSIONER ASSEMBLY - OLD STYLE

| ITEM | PART NUMBER   | DESCRIPTION   |
|------|---------------|---|
| 1    | 000 021 423   | Collar  |
| 2    | 000 026 031   | Spring  |
| 3    | 000 029 605   | Shaft   |
| 4    | 000 029 606   | Shaft   |
| 5    | 000 029 659   | Hanger Arm Assembly<br>Includes Casting And #14 Sleeve Bearings |
| 6    | 070 011 109   | Spring Clip (Not Shown)   |
| 7    | 070 011 131   | Pulley-Weldment   |
| 8    | 070 011 133   | Shaft   |
| 9    | 070 011 148   | V-Belt  |
| 10   | 070 011 530   | Spring Extension  |
| 11   | 701 320 045BG | Thrust Washer, Bag Of 10  |
| 12   | 807 257 060BG | Scr Stcp 5/16 - 18 X 3/8 (Bag 10)                               |
| 13   | 807 357 040BG | Soc.Set Screw Knurled Cup Pt. 5/16<br>18 X 1/4 Lg. (Bag of 10)  |
| 14   | 900 110 081BG | Bearing-Sleeve (Bag of 5)                                       |
| 15   | 900 210 101BG | Flange Bearing (Bag of 5) (Not Shown)                           |
| 16   | 919 005 600BG | Tru-Arc Ring (Bag of 10)  |

# PBL RATCHET DRIVE ASSEMBLY



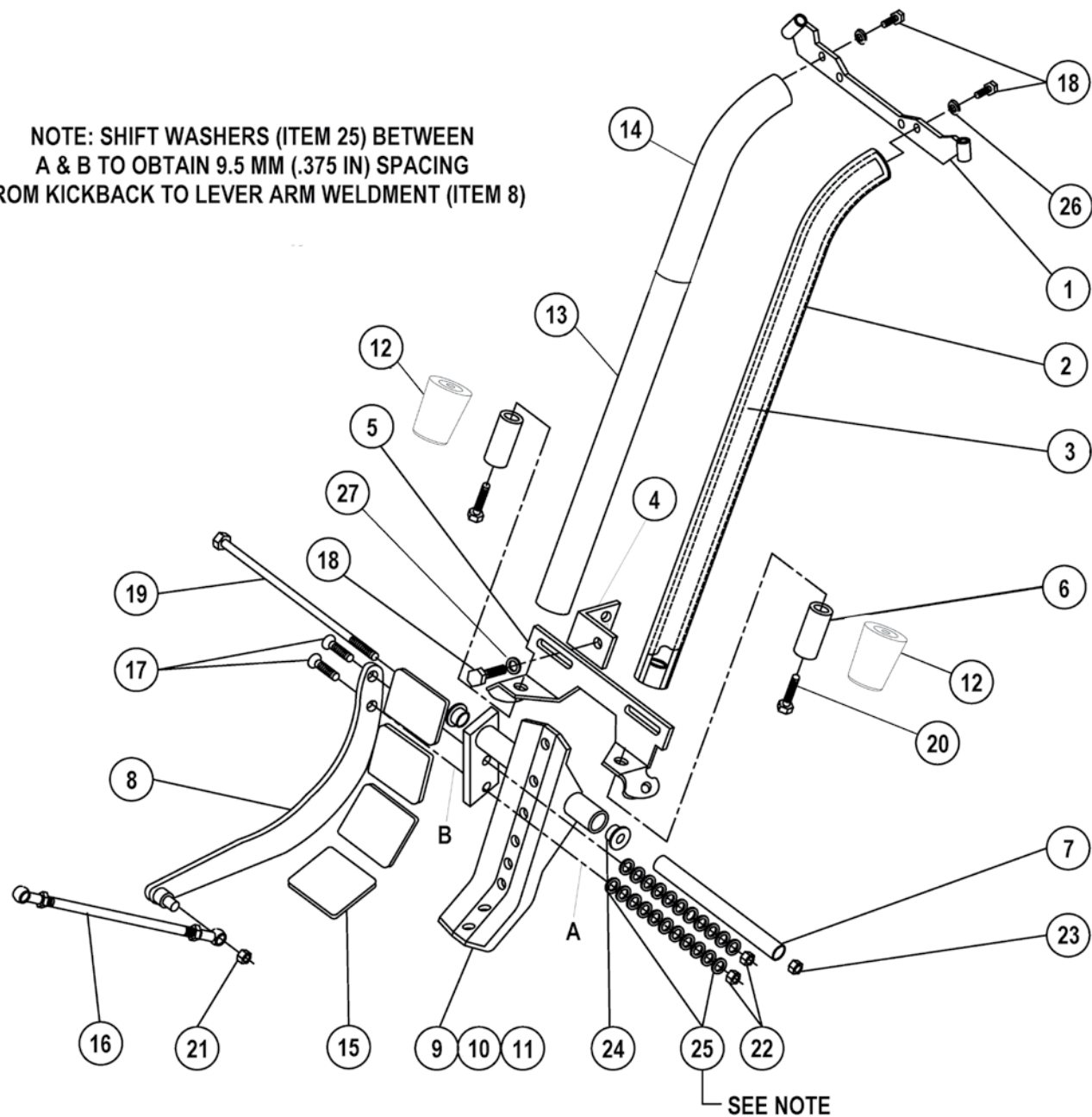
## PBL RATCHET DRIVE ASSEMBLY

| ITEM | QTY | PART NUMBER   | DESCRIPTION                                       |
|------|-----|---------------|---|
| 1    | 2   | 000 024 679   | Ball Bearing, .625 X 1.375                        |
| 2    | 32  | 000 026 865BG | Washer, Bag Of 10                                 |
| 3    | 1   | 070 006 142BG | Bumper, Bag Of 10                                 |
| 4    | 2   | 070 008 212   | Spacer  |
| 5    | 1   | 070 011 009   | Bearing Housing Weldment                          |
| 6    | 1   | 070 011 013   | Crank Weldment                                    |
| 7    | 1   | 070 011 027   | Shaft   |
| 8    | 1   | 070 011 028BG | Washer, Bag Of 10                                 |
| 9    | 1   | 070 011 029   | Nut   |
| 10   | 16  | 070 011 030BG | Roller, Bag Of 10                                 |
| 11   | 16  | 070 011 031BG | Roller Spacer, Bag Of 10                          |
| 12   | 1   | 070 011 032   | Spring  |
| 13   | 1   | 070 011 033   | Pulley  |
| 14   | 1   | 070 011 036   | Bearing & Housing Assy<br>Includes Items 5 and 24 |
| 15   | 1   | 070 011 037   | Crank Assy<br>Includes Items 1, 3, 6, and 26      |
| 16   | 3   | 070 011 040BG | Ratchet Roller, Bag Of 10                         |
| 17   | 1   | 070 011 064   | V-Belt, Ratchet Drive                             |
| 18   | 1   | 070 011 217   | Ratchet Arm Weldment                              |

| ITEM | QTY   | PART NUMBER   | DESCRIPTION                                      |
|------|-------|---------------|--|
| 19   | 16    | 809 849 205BG | Screw, Hex, 1/4 - 20 X 1 1/4, Bag Of 10          |
| 20   | 1     | 809 965 125BG | Screw, Hex, 3/8 - 16 X 3/4, Bag Of 10            |
| 21   | 1     | 838 866 002BG | Nut, Hex Lock, 3/8 - 24, Thin, Bag Of 10         |
| 22   | 16    | 839 549 002BG | Nut, Flex Lock, 1/4 - 20, Bag Of 10              |
| 23   | 2     | 844 057 002BG | Nut, Stover Lock, 5/16 - 18, Bag Of 10           |
| 24   | 2     | 900 212 161BG | Flanged Bearing, .753 X 1.003 X 1,<br>Bag Of 5   |
| 25   | 1     | 907 000 200BG | Key, Bag Of 10                                   |
| 26   | 2     | 919 000 600BG | Retaining Ring, Bag Of 10                        |
| 27   | 3     | 919 005 200BG | Retaining Ring, Bag Of 10                        |
| 28   | 1     | 919 005 600BG | Retaining Ring, Bag Of 10                        |
| 29   | 1     | 947 356 617   | Washer, 5/16                                     |
| 30   | 2     | 948 761 112BG | Washer, Flat, 11/32 X 11/16 X 1/16,<br>Bag Of 10 |
| 31   | 0-26* | 948 767 132BG | Washer, Flat, 13/32 X 13/16 X 1/16,<br>Bag Of 10 |
| 32   | 1     | 948 964 142BG | Washer, Flat, .375 X .875 X .094,<br>Bag Of 10   |

\* The number of washers is dependent on the width of the kickbacks. Refer to installation manual to determine correct number of washers needed.

**NOTE: SHIFT WASHERS (ITEM 25) BETWEEN A & B TO OBTAIN 9.5 MM (.375 IN) SPACING FROM KICKBACK TO LEVER ARM WELDMENT (ITEM 8)**



## PBL TRACK ASSEMBLY

| ITEM | QTY | PART NUMBER   | DESCRIPTION                         |
|------|-----|---------------|-------------------------------------|
| 1    | 1   | 000 021 813   | Wiper Support                       |
| 2    | 2   | 000 024 663   | Track Cover, Black Rubber           |
| 3    | 2   | 000 024 666   | Track Rail Weldment                 |
| 4    | 1   | 000 024 668   | Track Support Bracket Weldment      |
| 5    | 1   | 070 008 191   | Ball Lift Bracket                   |
| 6    | 2   | 070 011 018   | Ball Guide, Steel                   |
| 7    | 1   | 070 011 063   | Shaft                               |
| 8    | 1   | 070 011 218   | Lever Arm Weldment                  |
| 9    | 1   | 070 011 411   | Lift Arm Weldment                   |
| 10   | 1   | 070 011 412   | Lift Arm Assembly                   |
| 11   | 1   | 070 011 413   | Lift Assembly                       |
| 12   |     | 088 001 230   | Thimble, Urethane                   |
| 13   |     | 088 001 231   | Gripper Rail Cover                  |
| 14   |     | 088 001 232   | Upper Rail Cover, Black Rubber      |
| 15   | 4   | 090 002 024   | Cradle Liner                        |
| 16   | 1   | 090 005 259   | Rod Assembly                        |
| 17   | 2   | 808 857 280BG | Screw, Flat Head, 5/16 - 18 X 1-3/4 |
| 18   | 2   | 809 865 165BG | Screw, Hex, 3/8 - 16 X 1            |

| ITEM | QTY  | PART NUMBER   | DESCRIPTION   |
|------|------|---------------|---|
| 19   | 1    | 809 865 992BG | Screw, Hex, 3/8 - 16 X 9                            |
| 20   | 2    | 810 365 401BG | Screw, Socket Head Cap, 3/8 - 16 X 2-1/2, Bag Of 10 |
| 21   | 1    | 838 866 002BG | Nut, Hex, 3/8 - 24                                  |
| 22   | 2    | 844 057 002BG | Nut, Stover Lock, 5/16 - 18                         |
| 23   | 2    | 844 065 002BG | Nut, Stover Lock, 3/8 - 16                          |
| 24   | 2    | 900 210 161BG | Flanged Bearing, .628 X 1                           |
| 25   | 0-22 | 948 767 132BG | Washer, Flat, 13/32 X 13/16 X 1/16                  |
| 26   | 2    | 951 164 002BG | Washer, Split Lock, 3/8                             |
| 27   | 1    | 958 584 002   | Washer, Lock, 3/8                                   |

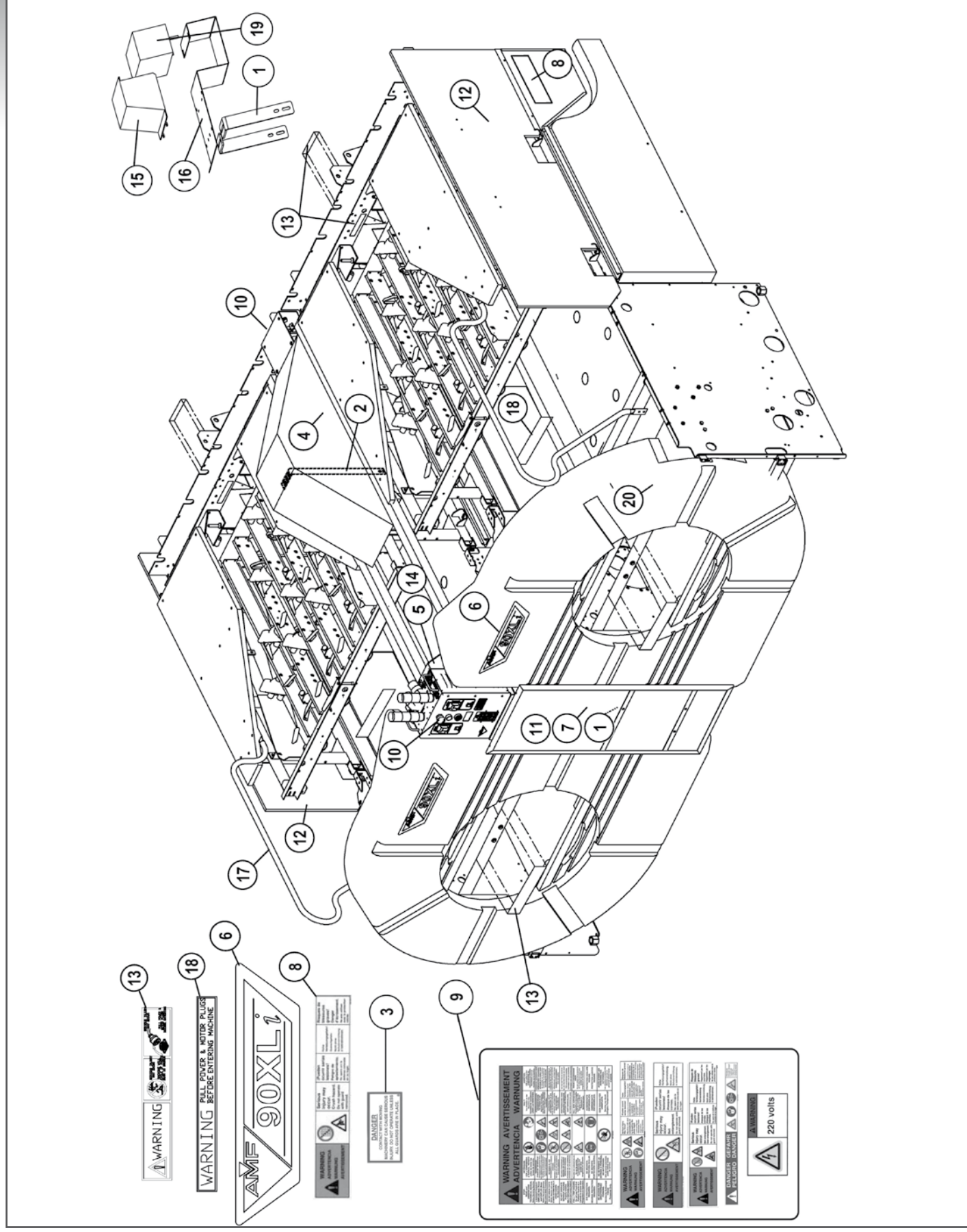
## GRIPPER PBL KIT

| ITEM | PART NUMBER | DESCRIPTION                    |
|------|-------------|--------------------------------|
| 1    | 610 049 510 | Gripper Pbl Kit                |
| 2    | 088 001 230 | Thimbles                       |
| 2    | 088 001 231 | Gripper Rail Cover (Lower)     |
| 2    | 088 001 232 | Upper Rail Cover, Black Rubber |
| 1    | 088 001 233 | Ball Lift Belt                 |
| 1    | 000 024 606 | New Style Support Bracket      |



## **GUARDS & SAFETY LABELS**

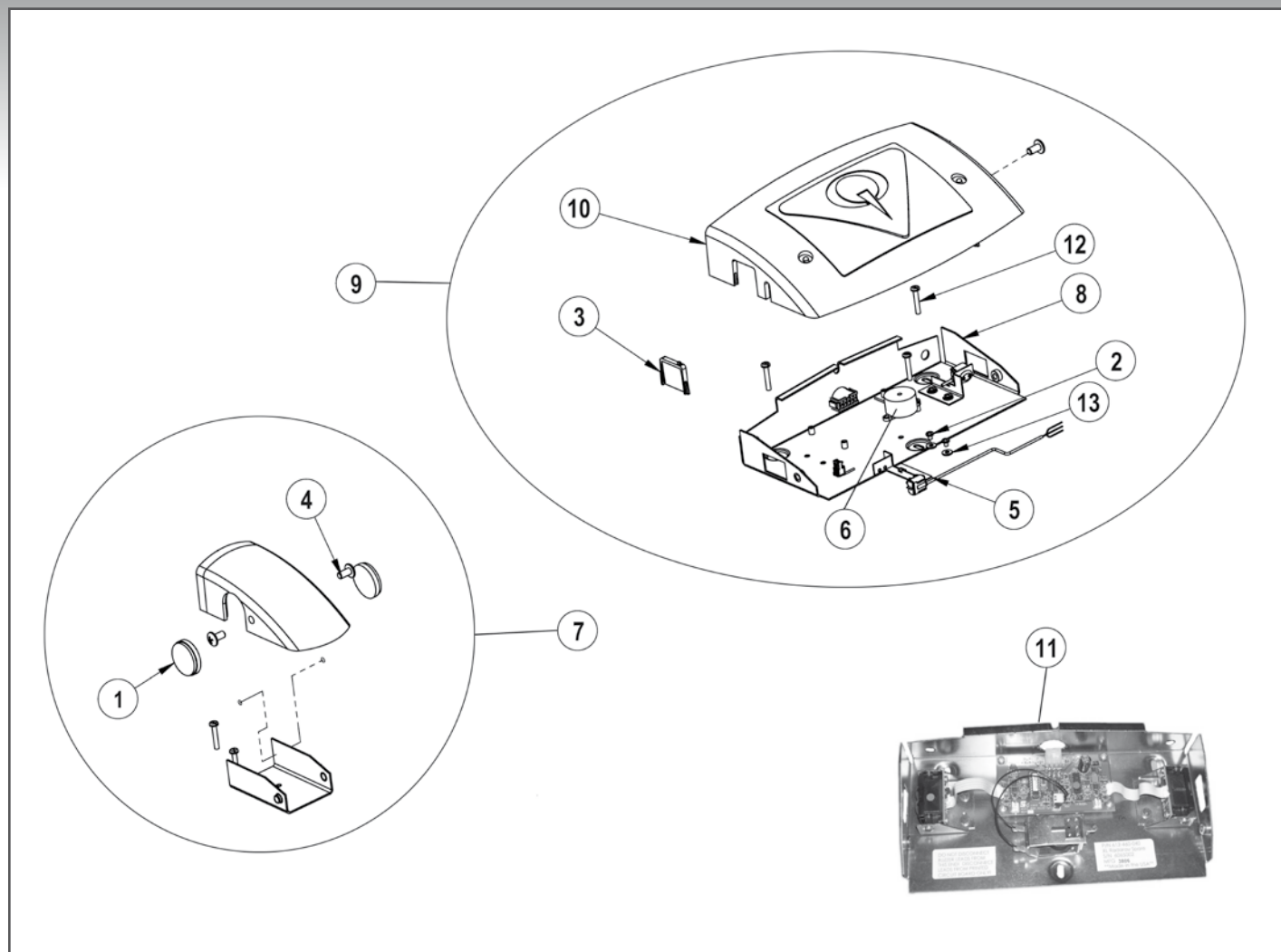




GUARDS & SAFETY LABELS

| ITEM | QTY | PART NUMBER | DESCRIPTION   |
|------|-----|-------------|---|
| 1    | 4   | 070 004 691 | Rear Guard Bracket  |
| 2    | 2   | 070 010 238 | Front Guard Assembly Bracket  |
| 3    | 3   | 070 011 211 | Danger Decal  |
| 4    | 1   | 070 011 401 | Ball Lift Guard Weldment  |
| 5    | 1   | 088 000 004 | Chassis Cover (XLI)   |
| 6    | 2   | 088 000 035 | 90XLi Wheel Guard Decal   |
| 7    | 1   | 088 001 115 | Ball Lift Guard, Rear   |
| 8    | 3   | 088 001 154 | End Guard Safety Label  |
| 9    |     | 088 001 156 | Ce Label Kit For Pinspotter Pair                                    |
| 10   | 2   | 088 001 160 | E-Stop Button & Switch Assembly (XLI)                               |
| 11   | 1   | 088 001 169 | Ball Lift Guard, Rear, Kit - Includes Item 7 Plus Mounting Hardware |

| ITEM | QTY | PART NUMBER | DESCRIPTION                  |
|------|-----|-------------|------------------------------|
| 12   | 2   | 088 001 174 | End Machine Guard Kit, LH    |
| 13   | 6   | 090 004 028 | Warning Label                |
| 14   | 1   | 090 004 707 | Chassis Cover (XL)           |
| 15   | 1   | 090 004 708 | Front End Box Cover          |
| 16   | 1   | 090 004 709 | Front End Cover Guard        |
| 17   | 2   | 090 005 118 | Handrail                     |
| 18   | 2   | 090 005 642 | Warning Decal (On Yoke)      |
| 19   |     | 090 005 827 | Universal Front End Box (XL) |
| 20   | 2   | 090 007 145 | Pinspotter Wheel Guard       |



## FOUL LIGHTS

| ITEM | QTY | PART NUMBER | DESCRIPTION  |
|------|-----|-------------|--|
| 1    | 2   | 088 000 076 | Foul Detector Reflector  |
| 2    | 5   | 088 000 077 | 6-32 X 3/16 Screw, Pan Head Phillips<br>Not Available  |
| 3    | 2   | 088 000 079 | Lens, Foul Detector  |
| 4    | 4   | 088 000 087 | Screw, Ph, Trs Hd, 1/4-20 X .5", Black   |
| 5    | 1   | 088 000 092 | Internal Wire Harness  |
| 6    | 1   | 088 000 099 | XLi Foul Buzzer  |
| 7    |     | 088 000 128 | Reflector Housing Kit<br>Includes Cover, Base, Refelctors, and Screws.                             |
| 8    |     | 088 000 165 | Base Plate With Electronics  |
| 9    |     | 088 000 222 | XLi Foul Detector - Includes Base, All<br>Electronics, Cover, and Lens<br>(Shown In Exploded View) |
| 10   | 1   | 090 005 892 | Radaray Cover XL/XLi (No Led's)  |
| 11   |     | 612 460 040 | Radaray XL Base and Electronics  |
| 12   | 5   | 824 538 162 | Screw, #10 X 1", Slotted Hex Head  |
| 13   | 4   | 948 631 062 | Washer, #6, Flat   |

| ITEM# | PART#         | DESCRIPTION   | ASSEMBLY  | PAGE# |
|-------|---------------|---|---|-------|
| 1     | 000 021 204   | Spring  | Kickback Plate Assembly - Ball Side Exit                | 53    |
| 1     | 000 021 204   | Spring  | Kickback Plate Assembly Opposite Ball Exit Side         | 55    |
| 1     | 000 021 224   | Vibration Dampener  | Bounce Plate and Roller Assembly                        | 56    |
| 1     | 000 021 408   | Idler Pulley Assy - Includes Pulley and Bearing #74   | Pbl Positive Ball Lift Assembly                         | 71    |
| 1     | 000 021 408   | Idler Pulley Assy - Includes Item 11 and The Pulley   | Pbl Belt Tightener Assembly                             | 72    |
| 1     | 000 021 423   | Shaft Collar  | Tie Rod Bracket Assembly - Steel                        | 28    |
| 1     | 000 021 423   | Collar With Setscrew  | Pbl Light Sensor Assembly                               | 69    |
| 1     | 000 021 423   | Collar  | Pbl Belt Tensioner Assembly (Old Style)                 | 74    |
| 2     | 000 021 427   | Flanged Bearing, .629 X .878 X 1/8  | Pbl Light Sensor Assembly                               | 69    |
| 1     | 000 021 528   | Saddle  | Front End Frame & Platform Assembly, Right Hand Machine | 7     |
| 1     | 000 021 528   | Saddle  | Front End Frame & Platform Assembly - Even Machine      | 9     |
| 1     | 000 021 575   | Insulator   | Sweep & Table Cam Switch Assembly                       | 19    |
| 1     | 000 021 575   | Insulator   | Steel Bin Assembly                                      | 39    |
| 2     | 000 021 714   | Adjusting Screw   | Sweep & Table Cam Switch Assembly                       | 19    |
| 2     | 000 021 786   | Frame Adjustment Plate  | Front End Frame & Platform Assembly, Right Hand Machine | 7     |
| 2     | 000 021 786   | Frame Adjustment Plate  | Front End Frame & Platform Assembly - Even Machine      | 9     |
| 3     | 000 021 787   | Washer, 9/16 X 1-5/8 X 1/4, Black   | Front End Frame & Platform Assembly, Right Hand Machine | 7     |
| 3     | 000 021 787   | Washer, 9/16 X 1-5/8 X 1/4  | Front End Frame & Platform Assembly - Even Machine      | 9     |
| 1     | 000 021 792   | Washer, Flat, 7/8 X 13/32 X 1/8   | Back End Drive Motor & Bracket Assembly                 | 63    |
| 1     | 000 021 813   | Wiper Support   | Positive Ball Lift (Pbl)                                | 67    |
| 1     | 000 021 813   | Wiper Support   | Pbl Track Rail Assembly                                 | 77    |
| 2     | 000 021 814   | Wiper Cloth Ring  | Positive Ball Lift (Pbl)                                | 67    |
| 1     | 000 021 878   | Spacer  | Table Drive Assembly                                    | 16    |
| 2     | 000 021 880   | Rod End Purchase As Part 000 021 880  | Table Drive Assembly                                    | 16    |
| 3     | 000 021 880   | Rod End Assy Includes Items 1, 2, 4, and 44   | Table Drive Assembly                                    | 16    |
| 4     | 000 021 881   | Ball Bearing, .625 X 1.375  | Table Drive Assembly                                    | 16    |
| 2     | 000 021 914   | Bounce Board Channel  | Bounce Plate and Roller Assembly                        | 56    |
| 1     | 000 021 992BG | Bumper, Bag of 10   | Pin Elevator & Hoop Assembly                            | 61    |
| 2     | 000 022 168   | Spring  | Steel Bin Assembly                                      | 39    |
| 2     | 000 022 172   | Drive Sheave  | Back End Drive Motor & Bracket Assembly                 | 63    |
| 1     | 000 022 173   | Nut, Special  | Distributor Assembly Sheet 1                            | 45    |
| 1     | 000 022 173   | Nut, Special  | Distributor Assembly Sheet 2                            | 47    |
| 2     | 000 022 248   | Bracket Weldment L.H. Side, L.H. Machine (Even 7 PS)  | Kickback Plate Assembly - Ball Side Exit                | 53    |
| 3     | 000 022 249   | Bearing Bracket Assembly, L.H. Side, L.H. Machine (Even 7 PS) - Includes Items 2, 9, 29, and 42 | Kickback Plate Assembly - Ball Side Exit                | 53    |
| 1     | 000 022 286   | Cushion Strut Collar  | Cushion, Shock Absorber & Curtain Assemblies            | 59    |
| 2     | 000 022 287   | Spring Seating Washer   | Cushion, Shock Absorber & Curtain Assemblies            | 59    |
| 3     | 000 022 288   | Spring  | Cushion, Shock Absorber & Curtain Assemblies            | 59    |
| 2     | 000 022 300   | Shield  | Kickback Plate Assembly Opposite Ball Exit Side         | 55    |
| 4     | 000 022 300   | Shield  | Kickback Plate Assembly - Ball Side Exit                | 53    |
| 6     | 000 022 369   | Shaft, L.H. Machine (Even)  | Distributor Drive Shaft - Early                         | 42    |
| 1     | 000 022 580   | Pin Stop No Longer Available  | Table Assembly - Aluminum                               | 23    |
| 9     | 000 022 717   | Pin Dist Drive  | Distributor Drive Shaft - Early                         | 42    |
| 2     | 000 022 737   | 1/4 Rod End LH Thread   | Table Assembly - Aluminum                               | 23    |
| 3     | 000 022 738   | 1/4 Rod End RH Thread   | Table Assembly - Aluminum                               | 23    |
| 4     | 000 022 770   | Sponge Rubber Cushion Pad   | Cushion, Shock Absorber & Curtain Assemblies            | 59    |
| 1     | 000 022 782   | Counterbalance Spring   | Table To Crossbeam Assembly - Steel                     | 24    |
| 1     | 000 022 782   | Spring  | Table Torque Tube Assembly - Aluminum                   | 26    |
| 3     | 000 022 788   | Box Support   | Kickback Plate Assembly Opposite Ball Exit Side         | 55    |
| 5     | 000 022 788   | Box Support   | Kickback Plate Assembly - Ball Side Exit                | 53    |
| 4     | 000 022 794   | Block Support, R.H. Side (10 PS)  | Kickback Plate Assembly Opposite Ball Exit Side         | 55    |
| 6     | 000 022 794   | Block Support, R.H. Side (10 PS)  | Kickback Plate Assembly - Ball Side Exit                | 53    |
| 5     | 000 022 795   | Block Support, L.H. Side (7 PS)   | Kickback Plate Assembly Opposite Ball Exit Side         | 55    |
| 7     | 000 022 795   | Block Support, L.H. Side (7 PS)   | Kickback Plate Assembly - Ball Side Exit                | 53    |
| 3     | 000 022 821   | Pin   | Back End Drive Motor & Bracket Assembly                 | 63    |
| 5     | 000 022 821   | Pin   | Cushion, Shock Absorber & Curtain Assemblies            | 59    |
| 6     | 000 022 822   | Sleeve  | Cushion, Shock Absorber & Curtain Assemblies            | 59    |
| 7     | 000 022 823   | Shock Absorber W/Upper Collar   | Cushion, Shock Absorber & Curtain Assemblies            | 59    |
| 8     | 000 022 824   | Shock Assy - Includes Items 1, 2, 3, 6, 7, 37, and 45   | Cushion, Shock Absorber & Curtain Assemblies            | 59    |
| 3     | 000 022 869BG | Washer, 3/8", Bag of 10   | Pbl Light Sensor Assembly                               | 69    |
| 6     | 000 022 878   | Angle   | Kickback Plate Assembly Opposite Ball Exit Side         | 55    |
| 8     | 000 022 878   | Angle   | Kickback Plate Assembly - Ball Side Exit                | 53    |
| 7     | 000 022 924BG | Support Bearing, Bag of 10  | Kickback Plate Assembly Opposite Ball Exit Side         | 55    |
| 9     | 000 022 924BG | Support Bearing, Bag of 10  | Kickback Plate Assembly - Ball Side Exit                | 53    |
| 10    | 000 022 926   | Retainer Support  | Kickback Plate Assembly - Ball Side Exit                | 53    |
| 1     | 000 023 104   | Flanged Bearing, 1.25 X 1.5 X .953  | Sweep Arm Assembly                                      | 20    |
| 1     | 000 023 114BG | Flanged Bearing, .628 X .815 X .06, Bag of 10   | X Frame To Table Connections                            | 36    |
| 2     | 000 023 114BG | Flanged Bearing, .628 X .81 X .06, Bag of 10  | Sweep Arm Assembly                                      | 20    |
| 1     | 000 023 139   | Crank Arm   | Front End Drive   | 14    |
| 8     | 000 023 431   | Clip, Bottom, R.H. Machine (Odd)  | Kickback Plate Assembly Opposite Ball Exit Side         | 55    |
| 9     | 000 023 432   | Clip, Bottom, L.H. Machine (Even)   | Kickback Plate Assembly Opposite Ball Exit Side         | 55    |
| 10    | 000 023 464   | Support Weldment, R.H. Machine (Odd)  | Kickback Plate Assembly Opposite Ball Exit Side         | 55    |
| 11    | 000 023 465   | Support Weldment, L.H. Machine (Even)   | Kickback Plate Assembly Opposite Ball Exit Side         | 55    |
| 12    | 000 023 467   | Flanged Bearing, .314 X .434 X .310   | Kickback Plate Assembly Opposite Ball Exit Side         | 55    |
| 13    | 000 023 468   | Bracket   | Kickback Plate Assembly Opposite Ball Exit Side         | 55    |
| 4     | 000 023 673   | Pin Elevator Drive Sheave   | Back End Drive Motor & Bracket Assembly                 | 63    |
| 5     | 000 023 758BG | Gasket Washer, 7/8 X 3/8 X 1/32, Bag of 10  | Back End Drive Motor & Bracket Assembly                 | 63    |

| ITEM#          | PART#         | DESCRIPTION   | ASSEMBLY  | PAGE# |
|----------------|---------------|---|---|-------|
| 14             | 000 023 821   | Side Clip Weldment  | Kickback Plate Assembly Opposite Ball Exit Side | 55    |
| 15             | 000 024 507   | Pin Ejector Assembly, L.H. Machine (Even) - Includes Items 19, 21, 22, 24, 25, 33, 50, 57, and The Bracket Weldment | Kickback Plate Assembly Opposite Ball Exit Side | 55    |
| Ball Exit Side | 55            |   |   |       |
| 16             | 000 024 508   | Pin Ejector Assembly, R.H. Machine (Odd) - Includes Items 20, 21, 22, 24, 25, 33, 50, 57, and The Bracket Weldment  | Kickback Plate Assembly Opposite Ball Exit Side | 55    |
| Ball Exit Side | 55            |   |   |       |
| 17             | 000 024 510   | Bracket Assembly, L.H. Machine (Even) - Includes Items 21, 22 and The Bracket Weldment                              | Kickback Plate Assembly Opposite Ball Exit Side | 55    |
| 18             | 000 024 511   | Bracket Assembly, R.H. Machine (Even) - Includes Items 21, 22, and The Bracket Weldment                             | Kickback Plate Assembly Opposite Ball Exit Side | 55    |
| 19             | 000 024 512   | Pin Ejector Spring, L.H. Machine (Even)   | Kickback Plate Assembly Opposite Ball Exit Side | 55    |
| 20             | 000 024 513   | Pin Ejector Spring, R.H. Machine (Odd)  | Kickback Plate Assembly Opposite Ball Exit Side | 55    |
| 21             | 000 024 515   | Sleeve Bearing, .44 X .56 X 3/4   | Kickback Plate Assembly Opposite Ball Exit Side | 55    |
| 22             | 000 024 516   | Sleeve Bearing, .44 X .56 X 3/8   | Kickback Plate Assembly Opposite Ball Exit Side | 55    |
| 9              | 000 024 534   | Hanger Ear  | Cushion, Shock Absorber & Curtain Assemblies    | 59    |
| 3              | 000 024 576   | Front Roller Assy - Includes Items 4, 9, and 13   | Bounce Plate and Roller Assembly                | 56    |
| 4              | 000 024 578   | Roller Body   | Bounce Plate and Roller Assembly                | 56    |
| 5              | 000 024 579   | Roller Hinge  | Bounce Plate and Roller Assembly                | 56    |
| 6              | 000 024 580   | Shaft Hinge   | Bounce Plate and Roller Assembly                | 56    |
| 7              | 000 024 582BG | Pin, Bag of 2   | Bounce Plate and Roller Assembly                | 56    |
| 8              | 000 024 590   | Bearing   | Bounce Plate and Roller Assembly                | 56    |
| 9              | 000 024 592   | Hinge Assy - Includes Items 5, 6, 7, 8, 9, and 32   | Bounce Plate and Roller Assembly                | 56    |
| 10             | 000 024 597   | Link Assembly, Brass W/ Grease Fitting  | Bounce Plate and Roller Assembly                | 56    |
| 2              | 000 024 603   | Spring  | Pbl Positive Ball Lift Assembly                 | 71    |
| 3              | 000 024 605   | Lower Retainer  | Pbl Positive Ball Lift Assembly                 | 71    |
| 4              | 000 024 606   | Upper Support   | Pbl Positive Ball Lift Assembly                 | 71    |
|                | 000 024 606   | New Style Support Bracket & Hardware  | Gripper Kit                                     | 77    |
| 5              | 000 024 607   | Tube  | Pbl Positive Ball Lift Assembly                 | 71    |
| 6              | 000 024 608   | Upper Retainer  | Pbl Positive Ball Lift Assembly                 | 71    |
| 3              | 000 024 610   | Clamp Stud  | Positive Ball Lift (Pbl)                        | 67    |
| 4              | 000 024 615   | Shaft   | Pbl Light Sensor Assembly                       | 69    |
| 5              | 000 024 616   | Clamp Stud  | Pbl Light Sensor Assembly                       | 69    |
| 11             | 000 024 641   | Stop Bumper   | Kickback Plate Assembly - Ball Side Exit        | 53    |
| 7              | 000 024 647   | Roller  | Pbl Positive Ball Lift Assembly                 | 71    |
| 8              | 000 024 648   | Pivot Pin   | Pbl Positive Ball Lift Assembly                 | 71    |
| 9              | 000 024 650   | Roller Assembly - Includes Items 7 & 73   | Pbl Positive Ball Lift Assembly                 | 71    |
| 10             | 000 024 651   | Link Assy, Lower - Includes Casting and Items 70 & 71   | Pbl Positive Ball Lift Assembly                 | 71    |
| 3              | 000 024 657   | Spring  | Sweep & Table Cam Switch Assembly               | 19    |
| 11             | 000 024 659   | Lower Yoke  | Pbl Positive Ball Lift Assembly                 | 71    |
| 12             | 000 024 661   | Pulley  | Pbl Positive Ball Lift Assembly                 | 71    |
| 2              | 000 024 663   | Track Cover, Black Rubber   | Pbl Track Rail Assembly                         | 77    |
| 3              | 000 024 666   | Track Rail Weldment   | Pbl Track Rail Assembly                         | 77    |
| 4              | 000 024 668   | Track Support Bracket Weldment  | Pbl Track Rail Assembly                         | 77    |
| 12             | 000 024 668   | Track Support Bracket   | Kickback Plate Assembly - Ball Side Exit        | 53    |
| 4              | 000 024 673   | Spring  | Positive Ball Lift (Pbl)                        | 67    |
| 1              | 000 024 679   | Ball Bearing, .625 X 1.375  | Pbl Ratchet Drive Assembly                      | 75    |
| 2              | 000 024 679   | Bearing   | Distributor Assembly Sheet 1                    | 45    |
| 2              | 000 024 679   | Bearing   | Distributor Assembly Sheet 2                    | 47    |
| 13             | 000 024 716   | Spring Holder   | Pbl Positive Ball Lift Assembly                 | 71    |
| 14             | 000 024 720   | Link Assy, Upper - Includes Casting and Items 13, 70 & 72   | Pbl Positive Ball Lift Assembly                 | 71    |
| 11             | 000 024 760   | Link, Nylon Plastic   | Bounce Plate and Roller Assembly                | 56    |
| 10             | 000 024 795   | Plank, L.H. Machine (Even)  | Cushion, Shock Absorber & Curtain Assemblies    | 59    |
| 11             | 000 024 796   | Plank, R.H. Machine (Odd)   | Cushion, Shock Absorber & Curtain Assemblies    | 59    |
| 12             | 000 024 801BG | Washer, Bag of 2  | Cushion, Shock Absorber & Curtain Assemblies    | 59    |
| 13             | 000 024 807   | Rubber Cushion, R.H. Machine (Odd)  | Cushion, Shock Absorber & Curtain Assemblies    | 59    |
| 14             | 000 024 808   | Rubber Cushion, L.H. Machine (Even)   | Cushion, Shock Absorber & Curtain Assemblies    | 59    |
| 15             | 000 024 811   | Pulley Assembly, R.H. (Even)  | Pbl Positive Ball Lift Assembly                 | 71    |
| 16             | 000 024 812   | Pulley Assembly, L.H. (Odd)   | Pbl Positive Ball Lift Assembly                 | 71    |
| 13             | 000 024 890   | Setscrew  | Kickback Plate Assembly - Ball Side Exit        | 53    |
| 23             | 000 024 890   | Setscrew  | Kickback Plate Assembly Opposite Ball Exit Side | 55    |
| 8              | 000 024 892   | Ball Bearing Retainer   | Distributor Drive Shaft - Early                 | 42    |
| 1              | 000 024 893   | Drive Shaft Asm LH (Even Machine)   | Distributor Drive Shaft - Early                 | 42    |
| 1              | 000 025 004   | 7/16 RH Rod End W/ Grease Fitting   | Tie Rod Assemblies                              | 29    |
| 2              | 000 025 005   | 7/16 LH Rod End W/ Grease Fitting   | Tie Rod Assemblies                              | 29    |
| 1              | 000 025 079   | Block Male 14 Pin   | Table Wireway Assembly - Aluminum & Steel       | 27    |
| 1              | 000 025 549   | Lock Collar With Setscrew   | Yoke & Spotting Cup Assembly                    | 37    |
| 2              | 000 025 556BG | Locking Spring Catch, Bag of 2  | Table Wireway Assembly - Aluminum & Steel       | 27    |
| 12             | 000 025 622   | Bonding Strap   | Bounce Plate and Roller Assembly                | 56    |
| 13             | 000 025 662BG | Screw, Nylon Locking, Bag of 10   | Bounce Plate and Roller Assembly                | 56    |
| 24             | 000 025 803   | Roller, Pin Ejector Assembly  | Kickback Plate Assembly Opposite Ball Exit Side | 55    |
| 25             | 000 025 804   | Shaft, Pin Ejector Assembly   | Kickback Plate Assembly Opposite Ball Exit Side | 55    |
| 1              | 000 026 031   | Spring  | Pbl Belt Tensioner Assembly                     | 73    |
| 2              | 000 026 031   | Spring  | Pbl Belt Tensioner Assembly (Old Style)         | 74    |
| 3              | 000 026 031   | Belt Tightener Spring   | Distributor Assembly Sheet 2                    | 47    |
| 5              | 000 026 031   | Spring  | Positive Ball Lift (Pbl)                        | 67    |
| 6              | 000 026 031   | Spring  | Pbl Light Sensor Assembly                       | 69    |
| 2              | 000 026 032   | Spring  | Yoke & Spotting Cup Assembly                    | 37    |
| 2              | 000 026 032   | Distributor Lateral Drive Spring  | Pin Elevator & Hoop Assembly                    | 61    |
| 2              | 000 026 042   | Microswitch   | Table To Crossbeam Assembly - Steel             | 24    |
| 2              | 000 026 042   | Microswitch   | Table Torque Tube Assembly - Aluminum           | 26    |

| ITEM# | PART#         | DESCRIPTION  | ASSEMBLY  | PAGE# |
|-------|---------------|--|---|-------|
| 4     | 000 026 042   | Microswitch  | Sweep & Table Cam Switch Assembly               | 19    |
| 1     | 000 026 043   | Switch   | Durabin   | 40    |
| 3     | 000 026 043   | Microswitch  | Steel Bin Assembly                              | 39    |
| 3     | 000 026 081   | Spring Post Sleeve   | Distributor Assembly Sheet 1                    | 45    |
| 4     | 000 026 251BG | Bearing Roller, Threaded, Field Replacement, Bag of 10   | Steel Bin Assembly                              | 39    |
| 4     | 000 026 251BG | Roller Bearing, Threaded, Bag of 10  | Distributor Assembly Sheet 2                    | 47    |
| 5     | 000 026 401   | Shaft  | Sweep & Table Cam Switch Assembly               | 19    |
| 6     | 000 026 419   | Housing Weldment   | Sweep & Table Cam Switch Assembly               | 19    |
| 15    | 000 026 450   | Curtain Assembly   | Cushion, Shock Absorber & Curtain Assemblies    | 59    |
| 7     | 000 026 461BG | Bearing Uniball  | Distributor Drive Shaft - Early                 | 42    |
| 26    | 000 026 464   | Kickback Bracket   | Kickback Plate Assembly Opposite Ball Exit Side | 55    |
| 2     | 000 026 865BG | Washer, Bag of 10  | Pbl Ratchet Drive Assembly                      | 75    |
| 4     | 000 026 865BG | Washer, Bag of 10  | Distributor Assembly Sheet 1                    | 45    |
| 7     | 000 027 016   | Roller   | Sweep & Table Cam Switch Assembly               | 19    |
| 1     | 000 027 099   | Apron & Mat Assembly, RH (Even)  | Back End Assembly                               | 51    |
| 2     | 000 027 100   | Apron & Mat Assembly, LH (Odd)   | Back End Assembly                               | 51    |
| 2     | 000 027 264   | Spacer   | Pbl Belt Tensioner Assembly                     | 73    |
| 7     | 000 027 264   | Spacer   | Pbl Light Sensor Assembly                       | 69    |
| 3     | 000 027 368   | Plow & Mat Assembly, LH (Even)   | Back End Assembly                               | 51    |
| 4     | 000 027 372   | Plow & Mat Assembly, RH (Odd)  | Back End Assembly                               | 51    |
| 14    | 000 027 641   | Thrust Bearing   | Kickback Plate Assembly - Ball Side Exit        | 53    |
| 27    | 000 027 641   | Thrust Bearing   | Kickback Plate Assembly Opposite Ball Exit Side | 55    |
| 15    | 000 027 642   | Front Roller Support Washer  | Kickback Plate Assembly - Ball Side Exit        | 53    |
| 17    | 000 027 642   | Washer   | Pbl Positive Ball Lift Assembly                 | 71    |
| 28    | 000 027 642   | Washer   | Kickback Plate Assembly Opposite Ball Exit Side | 55    |
| 29    | 000 027 645   | Bearing Assy., L.H. Side, R.H. Machine (Odd 7 PS) - Includes Items 7, 39, 49, and The Bracket Weldment   | Kickback Plate Assembly Opposite Ball Exit Side | 55    |
| 55    |               |  |   |       |
| 30    | 000 027 646   | Bearing Assy., R.H. Side, L.H. Machine (Even 10 PS) - Includes Items 7, 39, 49, and The Bracket Weldment | Kickback Plate Assembly Opposite Ball Exit Side | 55    |
| Side  | 55            |  |   |       |
| 18    | 000 027 996   | Rubber Cushion   | Pbl Positive Ball Lift Assembly                 | 71    |
| 19    | 000 027 998   | Retainer   | Pbl Positive Ball Lift Assembly                 | 71    |
| 20    | 000 028 057   | Retainer   | Pbl Positive Ball Lift Assembly                 | 71    |
| 31    | 000 028 334BG | Washer, Bag of 10  | Kickback Plate Assembly Opposite Ball Exit Side | 55    |
| 16    | 000 028 362BG | Bumper, Urethane, Bag of 10  | Kickback Plate Assembly - Ball Side Exit        | 53    |
| 3     | 000 028 441BG | Guide Socket, Bag of 10  | Table Wireway Assembly - Aluminum & Steel       | 27    |
| 4     | 000 028 442BG | Guide Pin, Bag of 10   | Table Wireway Assembly - Aluminum & Steel       | 27    |
| 16    | 000 028 519   | Rivet, Rubber  | Cushion, Shock Absorber & Curtain Assemblies    | 59    |
| 17    | 000 028 529   | Rivet, Urethane  | Cushion, Shock Absorber & Curtain Assemblies    | 59    |
| 21    | 000 028 737   | Shaft  | Pbl Positive Ball Lift Assembly                 | 71    |
| 17    | 000 029 015   | Pivot Stud   | Kickback Plate Assembly - Ball Side Exit        | 53    |
| 32    | 000 029 015   | Pivot Stud   | Kickback Plate Assembly Opposite Ball Exit Side | 55    |
| 3     | 000 029 068   | Rubber Mounting  | Pin Elevator & Hoop Assembly                    | 61    |
| 5     | 000 029 068   | Rubber Mounting  | Back End Assembly                               | 51    |
| 1     | 000 029 073BG | Washer, Bag of 10  | Distributor Drive Shaft - Later                 | 43    |
| 2     | 000 029 073BG | Washer, Bag of 10  | Distributor Drive Shaft - Early                 | 42    |
| 33    | 000 029 317   | Stop Pin   | Kickback Plate Assembly Opposite Ball Exit Side | 55    |
| 2     | 000 029 603   | Shaft  | Pbl Belt Tightener Assembly                     | 72    |
| 3     | 000 029 605   | Pivot Shaft  | Pbl Belt Tensioner Assembly                     | 73    |
| 3     | 000 029 605   | Shaft  | Pbl Belt Tensioner Assembly (Old Style)         | 74    |
| 4     | 000 029 606   | Pivot Shaft, Short   | Pbl Belt Tensioner Assembly                     | 73    |
| 4     | 000 029 606   | Shaft  | Pbl Belt Tensioner Assembly (Old Style)         | 74    |
| 8     | 000 029 611BG | Washer, Uniball Bearing, Bag of 10   | Pbl Light Sensor Assembly                       | 69    |
| 22    | 000 029 613   | Rail   | Pbl Positive Ball Lift Assembly                 | 71    |
| 5     | 000 029 614   | Uniball Bearing  | Steel Bin Assembly                              | 39    |
| 14    | 000 029 626   | Angle Support  | Bounce Plate and Roller Assembly                | 56    |
| 6     | 000 029 629   | Down Sweep Weldment  | Positive Ball Lift (Pbl)                        | 67    |
| 18    | 000 029 640   | Kickback Panel   | Kickback Plate Assembly - Ball Side Exit        | 53    |
| 5     | 000 029 659   | Hanger Arm Assy - Includes Casting and Item 10   | Pbl Belt Tensioner Assembly                     | 73    |
| 5     | 000 029 659   | Hanger Arm Assembly - Includes Casting and #14 Sleeve Bearings   | Pbl Belt Tensioner Assembly (Old Style)         | 74    |
| 23    | 000 029 660   | Shaft  | Pbl Positive Ball Lift Assembly                 | 71    |
| 24    | 000 029 661   | Shock Absorber   | Pbl Positive Ball Lift Assembly                 | 71    |
| 19    | 000 029 672   | Bearing Bracket Assembly, R.H. Side, R.H. Machine - Includes Items 9, 29, 42, and The Bracket Weldment   | Kickback Plate Assembly - Ball Side Exit 53     |       |
| 9     | 000 029 696   | Adjustment Tube Assy - Includes Items 2 and 10   | Pbl Light Sensor Assembly                       | 69    |
| 10    | 000 029 697   | Adjustment Tube  | Pbl Light Sensor Assembly                       | 69    |
| 7     | 000 029 910   | Shim   | Positive Ball Lift (Pbl)                        | 67    |
| 6     | 070 001 184   | Strap Weldment   | Back End Assembly                               | 51    |
| 7     | 070 001 185   | Brace  | Back End Assembly                               | 51    |
| 8     | 070 001 195   | Pin Seating Rod  | Back End Assembly                               | 51    |
| 18    | 070 001 389   | Curtain Latch Spring   | Cushion, Shock Absorber & Curtain Assemblies    | 59    |
| 19    | 070 001 396   | Curtain Latch Pin  | Cushion, Shock Absorber & Curtain Assemblies    | 59    |
| 9     | 070 001 412   | Plow & Mat Assembly, Small, RH (Odd)   | Back End Assembly                               | 51    |
| 4     | 070 001 415   | Rail Stop Bracket  | Pin Elevator & Hoop Assembly                    | 61    |
| 20    | 070 001 421   | Strap  | Cushion, Shock Absorber & Curtain Assemblies    | 59    |
| 21    | 070 001 422   | U-Bolt   | Cushion, Shock Absorber & Curtain Assemblies    | 59    |
| 22    | 070 001 432   | Pad  | Cushion, Shock Absorber & Curtain Assemblies    | 59    |
| 3     | 070 001 557   | Table Tie Rod  | Tie Rod Assemblies                              | 29    |
| 1     | 070 001 585   | Spot Link Pin  | Spot & Respot Linkages                          | 18    |

| ITEM# | PART#         | DESCRIPTION  | ASSEMBLY  | PAGE# |
|-------|---------------|--|---|-------|
| 2     | 070 001 587   | Spring Hanger Pin  | Spot & Respot Linkages                                  | 18    |
| 3     | 070 001 591   | Pin  | Table To Crossbeam Assembly - Steel                     | 24    |
| 3     | 070 001 591   | Pin For Table Arm Over-Travel Lever Assembly                                     | Table Torque Tube Assembly - Aluminum                   | 26    |
| 4     | 070 001 596   | Angle Bracket  | Front End Frame & Platform Assembly, Right Hand Machine | 7     |
| 4     | 070 001 596   | Angle Bracket  | Front End Frame & Platform Assembly - Even Machine      | 9     |
| 5     | 070 001 601   | Respot Rod Assy - Aluminum Table   | Tie Rod Assemblies                                      | 29    |
| 6     | 070 001 602   | Spot Rod Assy - Aluminum Table   | Tie Rod Assemblies                                      | 29    |
| 3     | 070 001 605   | Upper Spotting Link Assy - Includes Upper Spotting Link and Flange Bearings (#7) | Spot & Respot Linkages                                  |       |
| 18    |               |  |   |       |
| 4     | 070 001 606   | Respot Tie Rod (Rod Only)  | Spot & Respot Linkages                                  | 18    |
| 7     | 070 001 606   | Respot Tie Rod - Rod Only  | Tie Rod Assemblies                                      | 29    |
| 8     | 070 001 607   | Spot Rod Only - Aluminum Table   | Tie Rod Assemblies                                      | 29    |
| 8     | 070 001 644   | Lever  | Sweep & Table Cam Switch Assembly                       | 19    |
| 2     | 070 001 664   | Clamp Stud   | Front End Drive   | 14    |
| 4     | 070 001 668   | Spring Roller  | Table Torque Tube Assembly - Aluminum                   | 26    |
| 5     | 070 001 698   | Pit Light Bracket  | Front End Frame & Platform Assembly, Right Hand Machine | 7     |
| 5     | 070 001 698   | Pit Light Bracket  | Front End Frame & Platform Assembly - Even Machine      | 9     |
| 3     | 070 001 699   | Sweep Shaft  | Front End Drive   | 14    |
| 4     | 070 001 707   | Extension Spring   | Front End Drive   | 14    |
| 1     | 070 001 777   | Link Pin   | Solenoid Operated Shuttle Assembly                      | 15    |
| 4     | 070 001 804   | Pivot Weldment   | Table Assembly - Aluminum                               | 23    |
| 2     | 070 001 807   | Respot Lever Spring  | Tie Rod Bracket Assembly - Steel                        | 28    |
| 5     | 070 001 807   | Spring   | Table Assembly - Aluminum                               | 23    |
| 6     | 070 001 817   | Platform Angle Weldment  | Front End Frame & Platform Assembly, Right Hand Machine | 7     |
| 6     | 070 001 817   | Platform Angle Weldment  | Front End Frame & Platform Assembly - Even Machine      | 9     |
| 7     | 070 001 819   | Platform Support Weldment  | Front End Frame & Platform Assembly, Right Hand Machine | 7     |
| 7     | 070 001 819   | Platform Support Weldment  | Front End Frame & Platform Assembly - Even Machine      | 9     |
|       | 070 001 840   | Table Drive Assembly   | Table Drive Assembly                                    | 16    |
| 5     | 070 001 849   | Washer, 1 X 5/8 X 1/8  | Table Drive Assembly                                    | 16    |
| 4     | 070 001 852   | off-Spot Lever   | Table To Crossbeam Assembly - Steel                     | 24    |
| 5     | 070 001 852   | Table Arm Over-Travel Lever  | Table Torque Tube Assembly - Aluminum                   | 26    |
| 5     | 070 001 853   | Spring   | Table To Crossbeam Assembly - Steel                     | 24    |
| 6     | 070 001 853   | Spring   | Table Torque Tube Assembly - Aluminum                   | 26    |
| 6     | 070 001 854   | Adjustment Screw   | Table To Crossbeam Assembly - Steel                     | 24    |
| 7     | 070 001 854   | Table Arm Over-Travel Lever Special Screw  | Table Torque Tube Assembly - Aluminum                   | 26    |
| 5     | 070 001 857BG | Nylon Roller, Bag of 2   | Distributor Assembly Sheet 2                            | 47    |
| 6     | 070 001 857BG | Nylon Roller, Bag of 2   | Table Drive Assembly                                    | 16    |
| 6     | 070 001 871   | Screw Hex Hd Cap   | Table Assembly - Aluminum                               | 23    |
| 14    | 070 001 877   | Eccentric, Table Drive   | Table Drive Assembly                                    | 16    |
| 9     | 070 001 893   | Cam Ball Assembly  | Table Drive Assembly                                    | 16    |
| 10    | 070 001 894   | Pivot Pin  | Table Drive Assembly                                    | 16    |
| 12    | 070 001 898   | Latch Assembly   | Table Drive Assembly                                    | 16    |
| 1     | 070 001 907   | Pit Light Support Bracket, R.H. (10 PS)  | Front End Electrical Installation, XL                   | 10    |
| 1     | 070 001 907   | Pit Light Support Bracket, R.H. (10 PS)  | Front End Electrical Installation, XLi                  | 11    |
| 1     | 070 001 907   | Bracket  | Dual Pit Light XL                                       | 12    |
| 1     | 070 001 907   | Pit Light Mounting Bracket, RH (10 Pin Side)                                     | Dual Pit Light XLI                                      | 13    |
| 2     | 070 001 908   | Pit Light Support Bracket, L.H. (7 PS)   | Front End Electrical Installation, XL                   | 10    |
| 2     | 070 001 908   | Pit Light Support Bracket, L.H. (7 PS)   | Front End Electrical Installation, XLi                  | 11    |
| 2     | 070 001 908   | Bracket  | Dual Pit Light XL                                       | 12    |
| 2     | 070 001 908   | Pit Light Mounting Bracket, LH (7 Pin Side)                                      | Dual Pit Light XLI                                      | 13    |
| 11    | 070 001 917BG | Compression Spring, Bag of 5   | Table Drive Assembly                                    | 16    |
| 5     | 070 001 919BG | Flanged Bearing, .627 X .814 X .870, Bag of 10                                   | Spot & Respot Linkages                                  | 18    |
| 13    | 070 001 931   | Spring   | Table Drive Assembly                                    | 16    |
| 14    | 070 001 932   | Pin  | Table Drive Assembly                                    | 16    |
| 25    | 070 001 995   | Upper Yoke W/ Nut  | Pbl Positive Ball Lift Assembly                         | 71    |
| 6     | 070 001 996   | Spotting Arm Latch   | Spot & Respot Linkages                                  | 18    |
| 34    | 070 002 027   | Kickback Panel   | Kickback Plate Assembly Opposite Ball Exit Side         | 55    |
| 15    | 070 002 034   | Rear Roller Assy - Includes Item 8 and Roller                                    | Bounce Plate and Roller Assembly                        | 56    |
| 23    | 070 002 050   | Tube Weldment, R.H. Machine (Odd)  | Cushion, Shock Absorber & Curtain Assemblies            | 59    |
| 10    | 070 002 169   | Plow & Mat Assembly, Small, LH (Even)  | Back End Assembly                                       | 51    |
| 24    | 070 002 252   | Tube Weldment, L.H. Machine (Even)   | Cushion, Shock Absorber & Curtain Assemblies            | 59    |
| 7     | 070 002 577   | Stud   | Table Assembly - Aluminum                               | 23    |
| 3     | 070 002 578   | Spot Lever Assembly - Includes Items 7 and 11                                    | Tie Rod Bracket Assembly - Steel                        | 28    |
| 8     | 070 002 578   | Lever Spot Assembly  | Table Assembly - Aluminum                               | 23    |
| 9     | 070 002 578   | Spot Lever Assembly  | Tie Rod Assemblies                                      | 29    |
| 4     | 070 002 579   | Finger Lever Assy - Includes Items 5 and 11                                      | Tie Rod Bracket Assembly - Steel                        | 28    |
| 9     | 070 002 579   | Finger Lever Assembly  | Table Assembly - Aluminum                               | 23    |
| 10    | 070 002 581   | Tie Rod  | Table Assembly - Aluminum                               | 23    |
| 11    | 070 002 583   | Link Assembly  | Table Assembly - Aluminum                               | 23    |
| 12    | 070 002 584   | Pin Bell Crank   | Table Assembly - Aluminum                               | 23    |
| 13    | 070 002 585   | Shaft  | Table Assembly - Aluminum                               | 23    |
| 5     | 070 002 589   | Finger Lever - Not Available Separately  | Tie Rod Bracket Assembly - Steel                        | 28    |
| 6     | 070 002 590   | Finger Link  | Tie Rod Bracket Assembly - Steel                        | 28    |
| 14    | 070 002 590   | Finger Link  | Table Assembly - Aluminum                               | 23    |
| 15    | 070 002 592   | Pin Purchase As Part 090 005 629   | Table Assembly - Aluminum                               | 23    |
| 16    | 070 002 594   | Tie Rod Assembly   | Table Assembly - Aluminum                               | 23    |
| 17    | 070 002 596   | Spring Yoke Return (Not Shown)   | Table Assembly - Aluminum                               | 23    |

| ITEM# | PART#         | DESCRIPTION   | ASSEMBLY                                  | PAGE# |
|-------|---------------|---|---|-------|
| 7     | 070 002 599   | Spot Lever - Not Available Separately   | Tie Rod Bracket Assembly - Steel          | 28    |
| 3     | 070 002 602   | Inner Lever   | Yoke & Spotting Cup Assembly              | 37    |
| 4     | 070 002 603   | Outer Lever   | Yoke & Spotting Cup Assembly              | 37    |
| 5     | 070 002 609   | Pin   | Yoke & Spotting Cup Assembly              | 37    |
| 6     | 070 002 611   | Link - Not Available Separately   | Yoke & Spotting Cup Assembly              | 37    |
| 7     | 070 002 612   | Link Assembly - Includes Items 6 and 37   | Yoke & Spotting Cup Assembly              | 37    |
| 8     | 070 002 616   | Shaft #2  | Yoke & Spotting Cup Assembly              | 37    |
| 9     | 070 002 617   | Shaft #3  | Yoke & Spotting Cup Assembly              | 37    |
| 10    | 070 002 620   | Spacer  | Yoke & Spotting Cup Assembly              | 37    |
| 1     | 070 002 629   | Yoke, Arm Assy - Includes Items 2 and Yoke Casting  | Respot Cell Assembly                      | 33    |
| 1     | 070 002 630BG | Flanged Bearing, .252 X .315 X .218, Bag of 20  | Front Actuator & Connector Assemblies     | 30    |
| 1     | 070 002 630BG | Flange Bearing, .252 X .315 X .218, Bag of 20   | Respot Cell Assembly, Cells 1 Through 6   | 34    |
| 1     | 070 002 630BG | Flanged Bearing, .252 X .315 X .218, Bag of 20  | Respot Cell Assembly, Cells 7 Through 10  | 35    |
| 2     | 070 002 630BG | Bushing, Yoke, Bag of 20  | Respot Cell Assembly                      | 33    |
| 3     | 070 002 644   | Yoke Plate Assy - Includes Item 2 and Yoke Plate  | Respot Cell Assembly                      | 33    |
| 2     | 070 002 645   | Lever Assembly Shaft  | Respot Cell Assembly, Cells 1 Through 6   | 34    |
| 2     | 070 002 645   | Lever Assembly Shaft  | Respot Cell Assembly, Cells 7 Through 10  | 35    |
| 4     | 070 002 645   | Shaft   | Respot Cell Assembly                      | 33    |
| 3     | 070 002 651   | Respot Lever  | Respot Cell Assembly, Cells 1 Through 6   | 34    |
| 3     | 070 002 651   | Respot Lever  | Respot Cell Assembly, Cells 7 Through 10  | 35    |
| 5     | 070 002 651   | Lever Respot Yoke Pivot   | Respot Cell Assembly                      | 33    |
| 5     | 070 002 652BG | Bushing Sleeve (Used In Item 8), Bag of 20  | Table Wireway Assembly - Aluminum & Steel | 27    |
| 15    | 070 002 652BG | Bushing, .252 X .315 X .5, Bag of 20  | Table Drive Assembly                      | 16    |
| 1     | 070 002 653BG | Flanged Bearing, .252 X .315 X .38, Bag of 20   | Table & Respot Links                      | 31    |
| 2     | 070 002 653BG | Flanged Bearing, .252 X .315 X .33, Bag of 20   | Solenoid Operated Shuttle Assembly        | 15    |
| 4     | 070 002 653BG | Flanged Bearing, .252 X .315 X .38, Bag of 20   | Respot Cell Assembly, Cells 1 Through 6   | 34    |
| 4     | 070 002 653BG | Flanged Bearing, .252 X .315 X .38, Bag of 20   | Respot Cell Assembly, Cells 7 Through 10  | 35    |
| 6     | 070 002 653BG | Bushing Flanged Respot Lever, Bag of 20   | Table Wireway Assembly - Aluminum & Steel | 27    |
| 6     | 070 002 653BG | Bushing, Flange, Bag of 20  | Respot Cell Assembly                      | 33    |
| 18    | 070 002 653BG | Bushing, Bag of 20  | Table Assembly - Aluminum                 | 23    |
| 2     | 070 002 671   | Respot Link   | Table & Respot Links                      | 31    |
| 7     | 070 002 671   | Link Respot Connector   | Table Wireway Assembly - Aluminum & Steel | 27    |
| 8     | 070 002 678*  | Lever Respot Ass'y (Lever With Items 5 & 6)*  | Table Wireway Assembly - Aluminum & Steel | 27    |
| 19    | 070 002 681BG | Pin 1/4, Respot Lever Pivot, Bag of 10  | Table Assembly - Aluminum                 | 23    |
| 11    | 070 002 683   | Yoke, Casting Only *  | Yoke & Spotting Cup Assembly              | 37    |
| 12    | 070 002 688   | Spring, R.H. Wound, (7 PS & #3 Shaft)   | Yoke & Spotting Cup Assembly              | 37    |
| 13    | 070 002 689   | Spring, L.H. Wound, R.H. Side (10 PS)   | Yoke & Spotting Cup Assembly              | 37    |
| 7     | 070 002 691BG | Flanged Bearing, .627 X .752 X 1/2, Bag of 10   | Spot & Respot Linkages                    | 18    |
| 5     | 070 002 695   | Yoke Plate, Not Available Separately,   |   |       |
| 5     | 070 002 695   | Purchase As 070002644 Yoke Plate Assembly<br>Yoke Plate, Not Available Separately,                    | Respot Cell Assembly, Cells 1 Through 6   | 34    |
| 8     | 070 002 698   | Purchase As 070002644 Yoke Plate Assembly<br>Spherical Bushing  | Respot Cell Assembly, Cells 7 Through 10  | 35    |
| 20    | 070 002 702   | Stop Respot   | Table Torque Tube Assembly - Aluminum     | 26    |
| 21    | 070 002 715   | Bushing   | Table Assembly - Aluminum                 | 23    |
| 14    | 070 002 719   | Spring Sleeve   | Yoke & Spotting Cup Assembly              | 37    |
| 15    | 070 002 723BG | Pin, Actuator Shaft, Bag of 10  | Yoke & Spotting Cup Assembly              | 37    |
| 8     | 070 002 724   | Shifter Link - Not Available Separately   | Tie Rod Bracket Assembly - Steel          | 28    |
| 9     | 070 002 725   | Cam Link  | Tie Rod Bracket Assembly - Steel          | 28    |
| 22    | 070 002 726   | Shaft   | Table Assembly - Aluminum                 | 23    |
| 10    | 070 002 727   | Shifter Link & Bearing Assy - Includes Items 8 and 12   | Tie Rod Bracket Assembly - Steel          | 28    |
| 10    | 070 002 727   | Shifter Link Assembly   | Tie Rod Assemblies                        | 29    |
| 23    | 070 002 727   | Link and Bearing Assembly   | Table Assembly - Aluminum                 | 23    |
| 11    | 070 002 728   | Cam Link Assembly   | Tie Rod Assemblies                        | 29    |
| 24    | 070 002 728   | Cam Link Assembly   | Table Assembly - Aluminum                 | 23    |
| 25    | 070 002 732BG | Spring, Bag of 2  | Table Assembly - Aluminum                 | 23    |
| 26    | 070 002 733   | Screw   | Table Assembly - Aluminum                 | 23    |
| 27    | 070 002 734   | Bracket   | Table Assembly - Aluminum                 | 23    |
| 11    | 070 002 745BG | Flanged Bearing, .6265 X .814 X 1/2, Bag of 10  | Tie Rod Bracket Assembly - Steel          | 28    |
| 28    | 070 002 745BG | Bushing, Bag of 10  | Table Assembly - Aluminum                 | 23    |
| 6     | 070 002 750BG | Screw, Flat Head, Bag of 10   | Respot Cell Assembly, Cells 1 Through 6   | 34    |
| 6     | 070 002 750BG | Screw, Flat Head, Bag of 10   | Respot Cell Assembly, Cells 7 Through 10  | 35    |
| 7     | 070 002 750BG | Screw, Bag of 10  | Respot Cell Assembly                      | 33    |
| 8     | 070 002 752BG | Bumper Extrusion, Bag of 2  | Respot Cell Assembly                      | 33    |
| 9     | 070 002 766   | Link Wireway  | Table Wireway Assembly - Aluminum & Steel | 27    |
| 10    | 070 002 768   | Link 8 Pin  | Table Wireway Assembly - Aluminum & Steel | 27    |
| 11    | 070 002 769   | Link 9 Pin  | Table Wireway Assembly - Aluminum & Steel | 27    |
| 12    | 070 002 770   | Link 10 Pin   | Table Wireway Assembly - Aluminum & Steel | 27    |
| 13    | 070 002 771   | Plate   | Table Wireway Assembly - Aluminum & Steel | 27    |
| 14    | 070 002 772BG | Pin, Bag of 10  | Table Wireway Assembly - Aluminum & Steel | 27    |
| 15    | 070 002 773BG | Grommet, Bag of 10  | Table Wireway Assembly - Aluminum & Steel | 27    |
| 16    | 070 002 774BG | Pin, Bag of 2   | Table Wireway Assembly - Aluminum & Steel | 27    |
| 16    | 070 002 776   | Cone Style Roller Bearing   | Table Drive Assembly                      | 16    |
| 17    | 070 002 777   | Bearing Cup   | Table Drive Assembly                      | 16    |
| 8     | 070 002 778   | Housing & Cup Assembly  | Table Drive Assembly                      | 16    |
| 18    | 070 002 778   | Crank Housing & Cup Assembly<br>Includes Items 17, 19, 31, 40, and Housing (Not Available Separately) | Table Drive Assembly                      | 16    |

| ITEM#  | PART#         | DESCRIPTION  | ASSEMBLY  | PAGE# |
|--------|---------------|--|---|-------|
|        | 070 002 779   | Eccentric & Cone Assembly<br>Includes Aluminum Table Eccentric and Item 16 | Table Drive Assembly                                    | 16    |
| 19     | 070 002 780   | Roller Bearing Cup   | Table Drive Assembly                                    | 16    |
| 12     | 070 002 781   | Needle Bearing   | Tie Rod Bracket Assembly - Steel                        | 28    |
| 29     | 070 002 781   | Needle Bearing   | Table Assembly - Aluminum                               | 23    |
| 16     | 070 002 784   | Spotting Cup Liner   | Yoke & Spotting Cup Assembly                            | 37    |
| 17     | 070 002 787BG | U-Bolt, Bag of 2   | Yoke & Spotting Cup Assembly                            | 37    |
| 18     | 070 002 788   | Cap  | Yoke & Spotting Cup Assembly                            | 37    |
| 9      | 070 002 792   | Frame Respot Weld  | Respot Cell Assembly                                    | 33    |
| 19     | 070 002 809   | Spotting Cup Casting Only **   | Yoke & Spotting Cup Assembly                            | 37    |
| 17, 18 | 070 002 814   | Link Assembly  | Table Wireway Assembly - Aluminum & Steel               | 27    |
| 3      | 070 002 815BG | Spacer Bushing, Bag of 10  | Table & Respot Links                                    | 31    |
| 19     | 070 002 815BG | Spacer Bushing, Bag of 10  | Table Wireway Assembly - Aluminum & Steel               | 27    |
| 13     | 070 002 816   | Cam Follower   | Tie Rod Bracket Assembly - Steel                        | 28    |
| 30     | 070 002 816   | Cam Follower W/ Grease Fitting   | Table Assembly - Aluminum                               | 23    |
| 20     | 070 002 824   | Cone & Seal Bearing Assembly   | Table Drive Assembly                                    | 16    |
| 3      | 070 003 106   | Main Pivot Shaft   | Sweep Arm Assembly                                      | 20    |
| 4      | 070 003 117   | Drive Link Spacer  | Sweep Arm Assembly                                      | 20    |
| 5      | 070 003 221   | Screw, Sweep Link Assembly   | Sweep Arm Assembly                                      | 20    |
| 6      | 070 003 221   | Screw, Hex, 3/8 - 16 X 3-1/2   | Back End Drive Motor & Bracket Assembly                 | 63    |
| 6      | 070 003 232   | Main Pivot Spacer, Long  | Sweep Arm Assembly                                      | 20    |
| 7      | 070 003 233   | Main Pivot Spacer, Short   | Sweep Arm Assembly                                      | 20    |
| 8      | 070 003 238   | Link Assembly, Sweep Stabilizer, With Bumper                               | Sweep Arm Assembly                                      | 20    |
| 5      | 070 003 243   | Crank Arm Screw  | Front End Drive   | 14    |
| 9      | 070 003 243   | Screw, Hex, 1/2 - 13 X 2 1/2   | Sweep Arm Assembly                                      | 20    |
| 20     | 070 004 642   | Ball Lift Stop Bracket   | Kickback Plate Assembly - Ball Side Exit                | 53    |
| 8      | 070 004 654   | Track Support Bracket  | Front End Frame & Platform Assembly, Right Hand Machine | 7     |
| 8      | 070 004 654   | Track Support Bracket  | Front End Frame & Platform Assembly - Even Machine      | 9     |
| 8      | 070 004 654   | Track Support Bracket  | Positive Ball Lift (Pbl)                                | 67    |
| 9      | 070 004 669   | Ball Wiper Cloth   | Positive Ball Lift (Pbl)                                | 67    |
| 10     | 070 004 670   | Dust Trap  | Positive Ball Lift (Pbl)                                | 67    |
| 1      | 070 004 691   | Rear Guard Bracket   | Guards and Safety Labels                                | 81    |
| 25     | 070 004 738   | Guard  | Cushion, Shock Absorber & Curtain Assemblies            | 59    |
| 20     | 070 005 602   | Cable  | Table Wireway Assembly - Aluminum & Steel               | 27    |
| 26     | 070 005 610   | Curtain Link   | Cushion, Shock Absorber & Curtain Assemblies            | 59    |
| 6      | 070 006 004   | Tube   | Distributor Assembly Sheet 2                            | 47    |
| 7      | 070 006 007   | Support Weldment   | Distributor Assembly Sheet 2                            | 47    |
| 8      | 070 006 009   | Belt Runner Support Assy - Includes Item 7                                 | Distributor Assembly Sheet 2                            | 47    |
| 9      | 070 006 011   | Pulley Assembly - Includes Item 2 and Pulley                               | Distributor Assembly Sheet 2                            | 47    |
| 10     | 070 006 013   | Pin Guide  | Distributor Assembly Sheet 2                            | 47    |
| 11     | 070 006 014   | Shaft  | Distributor Assembly Sheet 2                            | 47    |
| 12     | 070 006 015   | Trip Arm Assy, RH, Includes Casting With Factory Rollers (10 PS)           | Distributor Assembly Sheet 2                            | 47    |
| 13     | 070 006 016   | Trip Arm Assy, LH, Includes Casting With Factory Rollers (7 PS)            | Distributor Assembly Sheet 2                            | 47    |
| 14     | 070 006 019   | Spring Collar  | Distributor Assembly Sheet 2                            | 47    |
| 15     | 070 006 021   | Tube Assembly, Front - Includes Item 67 and Tube                           | Distributor Assembly Sheet 2                            | 47    |
| 16     | 070 006 029   | Connecting Link  | Distributor Assembly Sheet 2                            | 47    |
| 5      | 070 006 030   | Safety Link Spring   | Pin Elevator & Hoop Assembly                            | 61    |
| 5      | 070 006 034   | Spring, Linear   | Distributor Assembly Sheet 1                            | 45    |
| 17     | 070 006 035   | Spring   | Distributor Assembly Sheet 2                            | 47    |
| 18     | 070 006 036BG | Belt Lacing, Bag of 10   | Distributor Assembly Sheet 2                            | 47    |
| 19     | 070 006 037BG | Belt Pin, Bag of 10  | Distributor Assembly Sheet 2                            | 47    |
| 20     | 070 006 042   | Belt Runner, Rear  | Distributor Assembly Sheet 2                            | 47    |
| 6      | 070 006 043   | Spacer   | Pin Elevator & Hoop Assembly                            | 61    |
| 7      | 070 006 044   | Spring Post Nut, 3/8 - 16  | Pin Elevator & Hoop Assembly                            | 61    |
| 8      | 070 006 045   | Distributor Support Post   | Pin Elevator & Hoop Assembly                            | 61    |
| 9      | 070 006 047   | Safety Link Tube   | Pin Elevator & Hoop Assembly                            | 61    |
| 6      | 070 006 048   | Bolt, Special  | Distributor Assembly Sheet 1                            | 45    |
| 7      | 070 006 048   | Bolt, Special  | Table To Crossbeam Assembly - Steel                     | 24    |
| 7      | 070 006 049   | Shaft, Arm   | Distributor Assembly Sheet 1                            | 45    |
| 8      | 070 006 051   | Arm  | Distributor Assembly Sheet 1                            | 45    |
| 9      | 070 006 052   | Drive Arm  | Distributor Assembly Sheet 1                            | 45    |
| 21     | 070 006 055   | Carriage, Front  | Distributor Assembly Sheet 2                            | 47    |
| 10     | 070 006 061   | Cam Support Shaft  | Distributor Assembly Sheet 1                            | 45    |
| 11     | 070 006 064   | Bearing Spacer   | Distributor Assembly Sheet 1                            | 45    |
| 12     | 070 006 065   | Race Clamp   | Distributor Assembly Sheet 1                            | 45    |
| 13     | 070 006 069   | Nut, Special   | Distributor Assembly Sheet 1                            | 45    |
| 14     | 070 006 071   | Cam Follower   | Distributor Assembly Sheet 1                            | 45    |
| 15     | 070 006 073   | Thrust Washer  | Distributor Assembly Sheet 1                            | 45    |
| 16     | 070 006 074   | Bearing, Needle Thrust, 1.252 X 1.917                                      | Distributor Assembly Sheet 1                            | 45    |
| 17     | 070 006 075   | Needle Bearing, Closed End   | Distributor Assembly Sheet 1                            | 45    |
| 18     | 070 006 076   | Needle Bearing, Open End   | Distributor Assembly Sheet 1                            | 45    |
| 19     | 070 006 077   | Shaft  | Distributor Assembly Sheet 1                            | 45    |
| 20     | 070 006 082   | Spring Post Pin  | Distributor Assembly Sheet 1                            | 45    |
| 21     | 070 006 084   | Trip Stop Support Bracket  | Distributor Assembly Sheet 1                            | 45    |
| 10     | 070 006 098   | Rail, R.H. Machine (Odd - Not Shown)                                       | Pin Elevator & Hoop Assembly                            | 61    |
| 11     | 070 006 099   | Rail, L.H. Machine (Even)  | Pin Elevator & Hoop Assembly                            | 61    |
| 5      | 070 006 101   | Shaft R.H. Machine (Odd)   | Distributor Drive Shaft - Early                         | 42    |

| ITEM#  | PART#         | DESCRIPTION                                   | ASSEMBLY                           | PAGE# |
|--------|---------------|---|------------------------------------|-------|
| 3      | 070 006 102   | Drive Shaft Asm RH (Odd Machine)              | Distributor Drive Shaft - Early    | 42    |
| 22     | 070 006 103   | Support Guide, L.H. (7 PS)                    | Distributor Assembly Sheet 2       | 47    |
| 23     | 070 006 104   | Support Guide R.H. (10 PS)                    | Distributor Assembly Sheet 2       | 47    |
| 24     | 070 006 105   | Tube Assembly - Includes Items 26, 27, and 67 | Distributor Assembly Sheet 2       | 47    |
| 25     | 070 006 106   | Tracking Bracket                              | Distributor Assembly Sheet 2       | 47    |
| 26     | 070 006 107   | Belt Tightener Tube                           | Distributor Assembly Sheet 2       | 47    |
| 6      | 070 006 108   | Spacer  | Steel Bin Assembly                 | 39    |
| 27     | 070 006 108   | Spacer  | Distributor Assembly Sheet 2       | 47    |
| 28     | 070 006 109   | Roller Assembly Link                          | Distributor Assembly Sheet 2       | 47    |
| 22     | 070 006 111   | Sleeve  | Distributor Assembly Sheet 1       | 45    |
| 29     | 070 006 111   | Spring Post Sleeve                            | Distributor Assembly Sheet 2       | 47    |
| 3      | 070 006 116   | Clamp Stud, 1/4 X 1 1/8                       | Solenoid Operated Shuttle Assembly | 15    |
| 30     | 070 006 116   | Clamp Stud                                    | Distributor Assembly Sheet 2       | 47    |
| 31     | 070 006 117   | Bearing, Grooved, Concentric                  | Distributor Assembly Sheet 2       | 47    |
| 32     | 070 006 118   | Bearing, Grooved, Eccentric                   | Distributor Assembly Sheet 2       | 47    |
| 33     | 070 006 120   | Carriage Support Tube                         | Distributor Assembly Sheet 2       | 47    |
| 10     | 070 006 121BG | Washer, Bag of 10                             | Sweep Arm Assembly                 | 20    |
| 23, 24 | 070 006 121BG | Washer, Distributor Clutch, Bag of 10         | Distributor Assembly Sheet 1       | 45    |
| 25     | 070 006 125   | Worm  | Distributor Assembly Sheet 1       | 45    |
| 26     | 070 006 126   | Friction Disc                                 | Distributor Assembly Sheet 1       | 45    |
| 27     | 070 006 128   | Spring Assembly                               | Distributor Assembly Sheet 1       | 45    |
| 28     | 070 006 130   | Clutch Plate                                  | Distributor Assembly Sheet 1       | 45    |
| 29     | 070 006 136   | Casting & Bearing Assy                        | Distributor Assembly Sheet 1       | 45    |
| 34     | 070 006 137   | Belt Guard                                    | Distributor Assembly Sheet 2       | 47    |
| 35     | 070 006 139   | Inner Spacer                                  | Distributor Assembly Sheet 2       | 47    |
| 36     | 070 006 140   | Outer Spacer                                  | Distributor Assembly Sheet 2       | 47    |
| 2      | 070 006 142BG | Bumper, Bag of 10                             | Durabin                            | 40    |
| 3      | 070 006 142BG | Bumper, Bag of 10                             | Pbl Ratchet Drive Assembly         | 75    |
| 8      | 070 006 142BG | Bumper, Bag of 10                             | Steel Bin Assembly                 | 39    |
| 30     | 070 006 142BG | Bumper, Bag of 10                             | Distributor Assembly Sheet 1       | 45    |
| 37     | 070 006 142BG | Bumper, Bag of 10                             | Distributor Assembly Sheet 2       | 47    |
| 31     | 070 006 149   | Indexing Cam                                  | Distributor Assembly Sheet 1       | 45    |
| 1      | 070 006 254   | Side Tube, Short                              | Shuttle Assembly                   | 41    |
| 2      | 070 006 256   | Outside Tube                                  | Shuttle Assembly                   | 41    |
| 3      | 070 006 259   | Shuttle Arm Bracket                           | Shuttle Assembly                   | 41    |
| 4      | 070 006 266   | Bin Spring Strap                              | Shuttle Assembly                   | 41    |
| 5      | 070 006 268   | Strap   | Shuttle Assembly                   | 41    |
| 4      | 070 006 276   | Shuttle Drive Spring                          | Solenoid Operated Shuttle Assembly | 15    |
| 5      | 070 006 277   | Spring Washer                                 | Solenoid Operated Shuttle Assembly | 15    |
| 6      | 070 006 278   | Cam Link                                      | Solenoid Operated Shuttle Assembly | 15    |
| 7      | 070 006 280   | Spring Clip                                   | Solenoid Operated Shuttle Assembly | 15    |
| 8      | 070 006 282   | Link, Spotting Solenoid                       | Solenoid Operated Shuttle Assembly | 15    |
| 9      | 070 006 283   | Shuttle Drive Link Spring                     | Solenoid Operated Shuttle Assembly | 15    |
| 10     | 070 006 284   | Clamp Stud 5/16 X 1 3/4                       | Solenoid Operated Shuttle Assembly | 15    |
| 11     | 070 006 287   | Pin, Long                                     | Solenoid Operated Shuttle Assembly | 15    |
| 13     | 070 006 295   | Shuttle Operating Rod Lever                   | Solenoid Operated Shuttle Assembly | 15    |
| 12     | 070 006 307   | Link Assembly                                 | Solenoid Operated Shuttle Assembly | 15    |
| 26     | 070 006 320   | Shaft Assy. Adj. 9 1/2" - 11" Spacing         | Pbl Positive Ball Lift Assembly    | 71    |
| 27     | 070 006 325   | Shaft Assy. Fxd. 9 1/2" - 11" Spacing         | Pbl Positive Ball Lift Assembly    | 71    |
| 28     | 070 006 328   | Shaft Assy. Fxd. 11" - "12-5/8" Spacing       | Pbl Positive Ball Lift Assembly    | 71    |
| 29     | 070 006 329   | Shaft Assy Adj. 11" - "12-5/8" Spacing        | Pbl Positive Ball Lift Assembly    | 71    |
| 30     | 070 006 330   | Shaft Assy. Fxd. 12-5/8" - 14" Spacing        | Pbl Positive Ball Lift Assembly    | 71    |
| 31     | 070 006 333   | Shaft Assy. Adj. 12-5/8" - 14" Spacing        | Pbl Positive Ball Lift Assembly    | 71    |
| 9      | 070 006 351   | Rod, Bin Assembly                             | Steel Bin Assembly                 | 39    |
| 10     | 070 006 353   | Pin Guide                                     | Steel Bin Assembly                 | 39    |
| 11     | 070 006 354BG | Shock Mount, Bin Assembly, Bag of 10          | Steel Bin Assembly                 | 39    |
| 12     | 070 006 356   | Switch Actuator                               | Steel Bin Assembly                 | 39    |
| 12     | 070 006 358   | Bracket Asy For Bin                           | Tie Rod Assemblies                 | 29    |
| 13     | 070 006 358   | Bracket Assembly                              | Steel Bin Assembly                 | 39    |
| 14     | 070 006 359   | Bracket, Bin Assembly                         | Steel Bin Assembly                 | 39    |
| 15     | 070 006 360   | Channel Weldment, Long                        | Steel Bin Assembly                 | 39    |
| 16     | 070 006 363   | Channel, Short                                | Steel Bin Assembly                 | 39    |
| 17     | 070 006 364   | Spacer, Pin Butt Guide                        | Steel Bin Assembly                 | 39    |
| 18     | 070 006 365   | Spacer/Head Guide, Pins 2 & 3                 | Steel Bin Assembly                 | 39    |
| 19     | 070 006 366   | Spacer/Head Guide, Pins 4, 5, & 6             | Steel Bin Assembly                 | 39    |
| 20     | 070 006 369   | Pin Guide, R.H. (10 PS)                       | Steel Bin Assembly                 | 39    |
| 21     | 070 006 370   | Pin Guide, L.H. (7 PS)                        | Steel Bin Assembly                 | 39    |
| 3      | 070 006 371   | Support Bracket                               | Durabin                            | 40    |
| 22     | 070 006 371   | Bin Assembly Support Bracket                  | Steel Bin Assembly                 | 39    |
| 23     | 070 006 372   | Stringer, Center, R.H. (7 PS)                 | Steel Bin Assembly                 | 39    |
| 24     | 070 006 373   | Stringer, Center, L.H. (10 PS)                | Steel Bin Assembly                 | 39    |
| 25     | 070 006 376   | Stringer, Outside, R.H. (10 PS)               | Steel Bin Assembly                 | 39    |
| 26     | 070 006 377   | Stringer, Outside, L.H. (7 PS)                | Steel Bin Assembly                 | 39    |
| 27     | 070 006 380   | Pin Guide (10 PS of Pins 2-6)                 | Steel Bin Assembly                 | 39    |
| 28     | 070 006 381   | Pin Guide (7 PS of Pins 2-6)                  | Steel Bin Assembly                 | 39    |
| 29     | 070 006 384   | Bracket, #5 Pin Only                          | Steel Bin Assembly                 | 39    |
| 30     | 070 006 386   | Track Assembly, L.H. (7 PS)                   | Steel Bin Assembly                 | 39    |

| ITEM# | PART#         | DESCRIPTION  | ASSEMBLY  | PAGE# |
|-------|---------------|--|---|-------|
| 31    | 070 006 388   | Track Assembly, R.H. (10 PS)                                     | Steel Bin Assembly                                      | 39    |
| 32    | 070 006 389   | Pin Guide, #1 Pin  | Steel Bin Assembly                                      | 39    |
| 33    | 070 006 390   | Spacer   | Steel Bin Assembly                                      | 39    |
| 34    | 070 006 402   | Shaft, Bin Assembly  | Steel Bin Assembly                                      | 39    |
| 35    | 070 006 403   | Clamp Stud   | Steel Bin Assembly                                      | 39    |
| 9     | 070 006 405   | Angle Weldment   | Front End Frame & Platform Assembly, Right Hand Machine | 7     |
| 9     | 070 006 405   | Angle Weldment   | Front End Frame & Platform Assembly - Even Machine      | 9     |
| 36    | 070 006 408   | Lever  | Steel Bin Assembly                                      | 39    |
| 10    | 070 006 411   | Bracket Weldment Bin Assembly, R.H. (10 PS)                      | Front End Frame & Platform Assembly, Right Hand Machine | 7     |
| 10    | 070 006 411   | Bracket Weldment, Bin Assembly, R.H. (10 PS)                     | Front End Frame & Platform Assembly - Even Machine      | 9     |
| 11    | 070 006 413   | Bracket Weldment Bin Assembly, L.H. (7 PS)                       | Front End Frame & Platform Assembly, Right Hand Machine | 7     |
| 11    | 070 006 413   | Bracket Weldment, Bin Assembly, L.H. (7 PS)                      | Front End Frame & Platform Assembly - Even Machine      | 9     |
| 12    | 070 006 414   | Platform Support Bracket   | Front End Frame & Platform Assembly, Right Hand Machine | 7     |
| 12    | 070 006 414   | Platform Support Bracket   | Front End Frame & Platform Assembly - Even Machine      | 9     |
| 6     | 070 006 417   | Table Cam Weldment   | Front End Drive   | 14    |
| 3     | 070 006 420   | Table & Sweep Cam Switch Assembly                                | Front End Electrical Installation, XL                   | 10    |
| 7     | 070 006 420   | Table Cam Switch & Lever Assembly                                | Front End Drive   | 14    |
| 13    | 070 006 425   | Platform, R.H. (Odd 10 PS)                                       | Front End Frame & Platform Assembly, Right Hand Machine | 7     |
| 13    | 070 006 425   | Platform, L.H. (Even 7 PS)                                       | Front End Frame & Platform Assembly - Even Machine      | 9     |
| 14    | 070 006 426   | Platform, L.H. (Even 7 PS)                                       | Front End Frame & Platform Assembly, Right Hand Machine | 7     |
| 14    | 070 006 426   | Platform, R.H. (Even 10 PS)                                      | Front End Frame & Platform Assembly - Even Machine      | 9     |
| 8     | 070 006 427   | Shuttle Cam  | Front End Drive   | 14    |
| 37    | 070 006 429   | Arm Assembly - Includes Items 5, 41, and Casting                 | Steel Bin Assembly                                      | 39    |
| 6     | 070 006 447   | Spring, Shuttle Assembly   | Shuttle Assembly  | 41    |
| 9     | 070 006 449   | Sb & Sc Sweep Cam Weldment                                       | Front End Drive   | 14    |
| 10    | 070 006 450   | Sa Sweep Cam Weldment  | Front End Drive   | 14    |
| 14    | 070 006 456   | Stop Lever   | Solenoid Operated Shuttle Assembly                      | 15    |
| 8     | 070 006 481   | Spotting Arm Link Assy - Includes Arm and Items 5 & 19           | Spot & Respot Linkages                                  | 18    |
| 13    | 070 006 481   | Spot Link Assembly   | Tie Rod Assemblies                                      | 29    |
| 15    | 070 006 490   | Platform Support Bracket   | Front End Frame & Platform Assembly, Right Hand Machine | 7     |
| 15    | 070 006 490   | Platform Support Bracket   | Front End Frame & Platform Assembly - Even Machine      | 9     |
| 9     | 070 006 492   | Respot Arm Link Assy - Includes Items Arm and Items 5 & 19       | Spot & Respot Linkages                                  | 18    |
| 11    | 070 006 492   | Respot Arm Link Assembly   | Front End Drive   | 14    |
| 14    | 070 006 492   | Respot Arm Link Assembly   | Tie Rod Assemblies                                      | 29    |
| 10    | 070 006 493   | Ball Joint Assembly  | Spot & Respot Linkages                                  | 18    |
| 12    | 070 006 493   | Ball Joint Assembly  | Front End Drive   | 14    |
| 38    | 070 006 659   | Shaft  | Distributor Assembly Sheet 2                            | 47    |
| 39    | 070 006 661   | Trip Rocker Arm Weldment   | Distributor Assembly Sheet 2                            | 47    |
| 32    | 070 006 666   | Pulley, Distributor Drive Belt                                   | Distributor Assembly Sheet 1                            | 45    |
| 21    | 070 006 669   | Link 7 Pin   | Table Wireway Assembly - Aluminum & Steel               | 27    |
| 40    | 070 006 671   | Tube, Middle   | Distributor Assembly Sheet 2                            | 47    |
| 41    | 070 006 672   | Carriage Casting, Rear   | Distributor Assembly Sheet 2                            | 47    |
| 10    | 070 006 674   | Respot Cell Assy. (For #7 Cell Only) - Not Shown                 | Respot Cell Assembly                                    | 33    |
| 33    | 070 006 676   | Sleeve   | Distributor Assembly Sheet 1                            | 45    |
| 42    | 070 006 683   | Tube Assembly, Middle - Includes Items 40 and 67                 | Distributor Assembly Sheet 2                            | 47    |
| 34    | 070 006 685   | Pivot  | Distributor Assembly Sheet 1                            | 45    |
| 35    | 070 006 686   | Pinion Gear Assembly   | Distributor Assembly Sheet 1                            | 45    |
| 43    | 070 006 688   | Carriage Support Casting Assy - Includes Casting and Item 52     | Distributor Assembly Sheet 2                            | 47    |
| 36    | 070 006 691   | Stop Blade   | Distributor Assembly Sheet 1                            | 45    |
| 37    | 070 006 692   | Clutch Plate Assembly  | Distributor Assembly Sheet 1                            | 45    |
| 15    | 070 006 724   | Link, Shuttle Spring   | Solenoid Operated Shuttle Assembly                      | 15    |
| 11    | 070 006 728   | Cam Follower Bearing Assembly                                    | Spot & Respot Linkages                                  | 18    |
| 11    | 070 006 728   | Cam Follower   | Pbl Light Sensor Assembly                               | 69    |
| 16    | 070 006 728   | Cam Follower   | Solenoid Operated Shuttle Assembly                      | 15    |
| 21    | 070 006 729   | Spring Disc  | Table Drive Assembly                                    | 16    |
| 32    | 070 006 746   | Shaft, Lower, Straight Bore                                      | Pbl Positive Ball Lift Assembly                         | 71    |
| 33    | 070 006 748   | Spacer   | Pbl Positive Ball Lift Assembly                         | 71    |
| 13    | 070 006 765   | Shaft Plate  | Front End Drive   | 14    |
| 38    | 070 007 119   | Drive Arm Assy - Includes Items 2, 9, 11, 14, and 60             | Distributor Assembly Sheet 1                            | 45    |
| 4     | 070 007 192BG | Washer, 1/4X1.00x.05, Bag of 10                                  | Durabin   | 40    |
| 7     | 070 007 192BG | Washer, Respot Cell, Bag of 10                                   | Respot Cell Assembly, Cells 1 Through 6                 | 34    |
| 7     | 070 007 192BG | Washer, Respot Cell, Bag of 10                                   | Respot Cell Assembly, Cells 7 Through 10                | 35    |
| 11    | 070 007 192BG | Washer, Respot Cell, Bag of 10                                   | Respot Cell Assembly                                    | 33    |
| 34    | 070 007 192BG | Washer, Bag of 10  | Pbl Positive Ball Lift Assembly                         | 71    |
| 8     | 070 007 193BG | Respot Cell Spacer, Bag of 10                                    | Respot Cell Assembly, Cells 1 Through 6                 | 34    |
| 8     | 070 007 193BG | Respot Cell Spacer, Bag of 10                                    | Respot Cell Assembly, Cells 7 Through 10                | 35    |
| 12    | 070 007 193BG | Spacer, Respot Cell, Bag of 10                                   | Respot Cell Assembly                                    | 33    |
| 13    | 070 007 194BG | Stud, Long, Bag of 5   | Respot Cell Assembly                                    | 33    |
| 9     | 070 007 195BG | Stud, Short, Bag of 5  | Respot Cell Assembly, Cells 1 Through 6                 | 34    |
| 9     | 070 007 195BG | Stud, Short, Bag of 5  | Respot Cell Assembly, Cells 7 Through 10                | 35    |
| 14    | 070 007 195BG | Stud, Short, Bag of 5  | Respot Cell Assembly                                    | 33    |
| 15    | 070 007 196BG | Bushing, Flange, Bag of 5  | Respot Cell Assembly                                    | 33    |
| 16    | 070 007 200   | Respot Cell Assy. (For Cells 1 Thru 6 and 8 Thru 10) - Not Shown | Respot Cell Assembly                                    | 33    |
| 7     | 070 007 250   | Link & Hub Assembly  | Table Drive Assembly                                    | 16    |
| 22    | 070 007 250   | Link Assembly Includes Items 7 and 15                            | Table Drive Assembly                                    | 16    |
| 17    | 070 007 261   | Finger Assy - Includes Items 22 and 24                           | Respot Cell Assembly                                    | 33    |
| 11    | 070 007 276   | Rod  | Sweep Arm Assembly                                      | 20    |

| ITEM# | PART#         | DESCRIPTION  | ASSEMBLY  | PAGE# |
|-------|---------------|--|---|-------|
| 12    | 070 007 278   | Tube Weldment  | Sweep Arm Assembly                                      | 20    |
| 13    | 070 007 283   | Bumper   | Sweep Arm Assembly                                      | 20    |
| 35    | 070 007 291   | Clutch Bearing   | Pbl Positive Ball Lift Assembly                         | 71    |
| 9     | 070 007 295   | Table Support Weldment, R.H. (10 PS)                           | Table Torque Tube Assembly - Aluminum                   | 26    |
| 15    | 070 007 295   | Table Support Weldment R.H.                                    | Tie Rod Assemblies                                      | 29    |
| 10    | 070 007 296   | Table Support Weldment, L.H. (7 PS)                            | Table Torque Tube Assembly - Aluminum                   | 26    |
| 16    | 070 007 296   | Table Support Weldment L.H. (Not Shown)                        | Tie Rod Assemblies                                      | 29    |
| 11    | 070 007 302   | Spacer   | Table Torque Tube Assembly - Aluminum                   | 26    |
| 8     | 070 007 303   | Leveling Rod Spacer  | Table To Crossbeam Assembly - Steel                     | 24    |
| 17    | 070 007 303   | Spacer, 7/16 I.D.  | Tie Rod Assemblies                                      | 29    |
| 23    | 070 007 310   | Flanged Bearing, .502 X .871 X 1.20                            | Table Drive Assembly                                    | 16    |
| 24    | 070 007 311   | Sleeve, Table Drive Assembly                                   | Table Drive Assembly                                    | 16    |
| 11    | 070 007 359   | Support Bracket  | Back End Assembly                                       | 51    |
| 27    | 070 007 360   | Support Bracket Weldment                                       | Cushion, Shock Absorber & Curtain Assemblies            | 59    |
| 39    | 070 007 376BG | Thrust Washer, Bag of 5  | Distributor Assembly Sheet 1                            | 45    |
| 16    | 070 007 509   | Elevating Nut  | Front End Frame & Platform Assembly, Right Hand Machine | 7     |
| 16    | 070 007 509   | Elevating Nut  | Front End Frame & Platform Assembly - Even Machine      | 9     |
| 17    | 070 007 510   | Elevating Setscrew   | Front End Frame & Platform Assembly, Right Hand Machine | 7     |
| 17    | 070 007 510   | Elevating Setscrew   | Front End Frame & Platform Assembly - Even Machine      | 9     |
| 2     | 070 007 586   | Universal Joint, Steel   | Distributor Drive Shaft - Later                         | 43    |
| 31    | 070 007 616BG | Pin 5/16, Bag of 10  | Table Assembly - Aluminum                               | 23    |
| 18    | 070 007 617BG | Stud, Pivot, 5/16 Dia. Shaft, Bag of 10                        | Respot Cell Assembly                                    | 33    |
| 19    | 070 007 618   | Lever Assy - Includes Items 4, 6 and Lever Casting**           | Respot Cell Assembly                                    | 33    |
| 20    | 070 007 620   | Lever Assy, #7 Cell - Includes Items 4, 6 and Lever Casting*** | Respot Cell Assembly                                    | 33    |
| 32    | 070 007 622   | Lever Respot W Flange Bushing                                  | Table Assembly - Aluminum                               | 23    |
| 4     | 070 007 623   | Lever, Respot Assembly - Includes Item 1 and Lever Casting     | Table & Respot Links                                    | 31    |
| 22    | 070 007 623** | Lever Respot Ass'y (Lever. With Item 6)**                      | Table Wireway Assembly - Aluminum & Steel               | 27    |
| 10    | 070 007 651BG | Washer-Nylon-Dist Bag of 10                                    | Respot Cell Assembly, Cells 1 Through 6                 | 34    |
| 3     | 070 007 747   | Wireway Cover  | Front End Electrical Installation, XLI                  | 11    |
| 4     | 070 007 747   | Wireway Cover  | Front End Electrical Installation, XL                   | 10    |
| 4     | 070 007 748   | Front Wireway  | Front End Electrical Installation, XLI                  | 11    |
| 5     | 070 007 748   | Front Wireway  | Front End Electrical Installation, XL                   | 10    |
| 9     | 070 007 752   | Spacer   | Table To Crossbeam Assembly - Steel                     | 24    |
| 12    | 070 007 752   | Spacer   | Table Torque Tube Assembly - Aluminum                   | 26    |
| 25    | 070 007 755   | Yoke Weldment  | Table Drive Assembly                                    | 16    |
| 16    | 070 007 769   | Ball Idling Bracket Weldment                                   | Bounce Plate and Roller Assembly                        | 56    |
| 18    | 070 007 843   | Unistrut, Long   | Front End Frame & Platform Assembly, Right Hand Machine | 7     |
| 18    | 070 007 843   | Unistrut, Long   | Front End Frame & Platform Assembly - Even Machine      | 9     |
| 19    | 070 007 844   | Unistrut, Short  | Front End Frame & Platform Assembly, Right Hand Machine | 7     |
| 19    | 070 007 844   | Unistrut, Short  | Front End Frame & Platform Assembly - Even Machine      | 9     |
| 4     | 070 008 004   | Universal Joint, Plastic                                       | Distributor Drive Shaft - Early                         | 42    |
| 20    | 070 008 126   | Clamp Bar  | Front End Frame & Platform Assembly, Right Hand Machine | 7     |
| 20    | 070 008 126   | Clamp Bar  | Front End Frame & Platform Assembly - Even Machine      | 9     |
| 17    | 070 008 132   | Link Assembly  | Solenoid Operated Shuttle Assembly                      | 15    |
| 18    | 070 008 133BG | Link Assembly Spacer, Bag of 2                                 | Solenoid Operated Shuttle Assembly                      | 15    |
| 19    | 070 008 135   | Link Assembly  | Solenoid Operated Shuttle Assembly                      | 15    |
| 5     | 070 008 191   | Ball Lift Bracket  | Pbl Track Rail Assembly                                 | 77    |
| 11    | 070 008 207   | Rail Weldment  | Positive Ball Lift (Pbl)                                | 67    |
| 36    | 070 008 210   | Sheave   | Pbl Positive Ball Lift Assembly                         | 71    |
| 37    | 070 008 211   | Sheave   | Pbl Positive Ball Lift Assembly                         | 71    |
| 4     | 070 008 212   | Spacer   | Pbl Ratchet Drive Assembly                              | 75    |
| 12    | 070 008 212   | Spacer   | Positive Ball Lift (Pbl)                                | 67    |
| 38    | 070 008 212   | Spacer   | Pbl Positive Ball Lift Assembly                         | 71    |
| 39    | 070 008 215   | Belt Tightener Weldment  | Pbl Positive Ball Lift Assembly                         | 71    |
| 40    | 070 008 217   | Short Spacer   | Pbl Positive Ball Lift Assembly                         | 71    |
| 41    | 070 008 218   | Spacer, Long   | Pbl Positive Ball Lift Assembly                         | 71    |
| 26    | 070 008 321   | Latch Arm Assy (1/8" Spring Pin Hole)                          | Table Drive Assembly                                    | 16    |
| 27    | 070 008 322   | Link Actuator Assembly   | Table Drive Assembly                                    | 16    |
| 28    | 070 008 325   | Pin Actuator Assembly  | Table Drive Assembly                                    | 16    |
| 12    | 070 008 449   | Spacer   | Pin Elevator & Hoop Assembly                            | 61    |
| 2     | 070 010 238   | Front Guard Assembly Bracket                                   | Guards and Safety Labels                                | 81    |
| 42    | 070 011 002   | Lower Support  | Pbl Positive Ball Lift Assembly                         | 71    |
| 43    | 070 011 004   | Tube & Support Assy - Includes Items 4, 5, 42 & 79             | Pbl Positive Ball Lift Assembly                         | 71    |
| 21    | 070 011 005   | Door Weldment, L.H. Machine (Even)                             | Kickback Plate Assembly - Ball Side Exit                | 53    |
| 22    | 070 011 006   | Door Weldment, R.H. Machine (Odd)                              | Kickback Plate Assembly - Ball Side Exit                | 53    |
| 5     | 070 011 009   | Bearing Housing Weldment                                       | Pbl Ratchet Drive Assembly                              | 75    |
| 6     | 070 011 013   | Crank Weldment   | Pbl Ratchet Drive Assembly                              | 75    |
| 6     | 070 011 018   | Ball Guide, Steel  | Pbl Track Rail Assembly                                 | 77    |
| 7     | 070 011 027   | Shaft  | Pbl Ratchet Drive Assembly                              | 75    |
| 8     | 070 011 028BG | Washer, Bag of 10  | Pbl Ratchet Drive Assembly                              | 75    |
| 9     | 070 011 029   | Nut  | Pbl Ratchet Drive Assembly                              | 75    |
| 10    | 070 011 030BG | Roller, Bag of 10  | Pbl Ratchet Drive Assembly                              | 75    |
| 11    | 070 011 031BG | Roller Spacer, Bag of 10                                       | Pbl Ratchet Drive Assembly                              | 75    |
| 12    | 070 011 032   | Spring   | Pbl Ratchet Drive Assembly                              | 75    |
| 13    | 070 011 033   | Pulley   | Pbl Ratchet Drive Assembly                              | 75    |
| 13    | 070 011 034   | Extension Rod  | Positive Ball Lift (Pbl)                                | 67    |
| 14    | 070 011 035   | Strap  | Positive Ball Lift (Pbl)                                | 67    |

| ITEM# | PART#         | DESCRIPTION  | ASSEMBLY                                     | PAGE# |
|-------|---------------|--|--|-------|
| 14    | 070 011 036   | Bearing & Housing Assy - Includes Items 5 and 24                                     | Pbl Ratchet Drive Assembly                   | 75    |
| 15    | 070 011 037   | Crank Assy - Includes Items 1, 3, 6, and 26  | Pbl Ratchet Drive Assembly                   | 75    |
| 15    | 070 011 039   | Ratchet Assembly   | Positive Ball Lift (Pbl)                     | 67    |
| 12    | 070 011 040BG | Ratchet Roller, Bag of 10  | Pbl Light Sensor Assembly                    | 69    |
| 16    | 070 011 040BG | Ratchet Roller, Bag of 10  | Pbl Ratchet Drive Assembly                   | 75    |
| 44    | 070 011 040BG | Ratchet Roller, Bag of 10  | Pbl Positive Ball Lift Assembly              | 71    |
| 45    | 070 011 041   | Belt Tightener Weldment Assembly - Includes Items 39 & 75                            | Pbl Positive Ball Lift Assembly              | 71    |
| 46    | 070 011 042   | Belt Tightener Assembly - Includes 34, 39 40, 41, 44, 46, 53, 62, 66, 74, 75, and 76 | Pbl Positive Ball Lift Assembly              | 71    |
| 23    | 070 011 050   | Washer, Special  | Kickback Plate Assembly - Ball Side Exit     | 53    |
| 16    | 070 011 052   | Ball Lift Assembly - See Later Page For Full Assembly                                | Positive Ball Lift (Pbl)                     | 67    |
| 7     | 070 011 063   | Shaft  | Pbl Track Rail Assembly                      | 77    |
| 17    | 070 011 064   | V- Belt, Ratchet Drive   | Positive Ball Lift (Pbl)                     | 67    |
| 17    | 070 011 064   | V-Belt, Ratchet Drive  | Pbl Ratchet Drive Assembly                   | 75    |
| 13    | 070 011 066   | Rudder Arm Support Assy - Includes Items 14 & 63                                     | Pbl Light Sensor Assembly                    | 69    |
| 14    | 070 011 067   | Rudder Arm Support   | Pbl Light Sensor Assembly                    | 69    |
| 15    | 070 011 068   | Link Weldment  | Pbl Light Sensor Assembly                    | 69    |
| 16    | 070 011 077   | Trip Finger  | Pbl Light Sensor Assembly                    | 69    |
| 17    | 070 011 079   | Rudder Drive Weldment  | Pbl Light Sensor Assembly                    | 69    |
| 18    | 070 011 080   | Rudder Drive Assy - Includes Items 17, 61 & 63                                       | Pbl Light Sensor Assembly                    | 69    |
| 19    | 070 011 092   | Crank Shaft Weldment   | Pbl Light Sensor Assembly                    | 69    |
| 20    | 070 011 096   | Roller   | Pbl Light Sensor Assembly                    | 69    |
| 21    | 070 011 097   | Crank Pulley   | Pbl Light Sensor Assembly                    | 69    |
| 22    | 070 011 098   | Sleeve   | Pbl Light Sensor Assembly                    | 69    |
| 23    | 070 011 099P  | Cam  | Pbl Light Sensor Assembly                    | 69    |
| 24    | 070 011 100   | Cam Sensor Weldment  | Pbl Light Sensor Assembly                    | 69    |
| 25    | 070 011 105   | Roller Assembly - Includes Items 20 & 60   | Pbl Light Sensor Assembly                    | 69    |
| 26    | 070 011 107   | Trip Arm (Reset Cam)   | Pbl Light Sensor Assembly                    | 69    |
| 27    | 070 011 108   | Washer   | Pbl Light Sensor Assembly                    | 69    |
| 6     | 070 011 109   | Spring Clip (Not Shown)  | Pbl Belt Tensioner Assembly (Old Style)      | 74    |
| 28    | 070 011 110   | Cam Sensor Assy - Includes Items 24 and 61   | Pbl Light Sensor Assembly                    | 69    |
| 18    | 070 011 120   | Light Ball Sensor Assembly   | Positive Ball Lift (Pbl)                     | 67    |
| 29    | 070 011 121   | Plug   | Pbl Light Sensor Assembly                    | 69    |
| 30    | 070 011 122   | Rudder Arm   | Pbl Light Sensor Assembly                    | 69    |
| 6     | 070 011 131   | Pulley Weldment  | Pbl Belt Tensioner Assembly                  | 73    |
| 7     | 070 011 131   | Pulley-Weldment  | Pbl Belt Tensioner Assembly (Old Style)      | 74    |
| 8     | 070 011 133   | Shaft  | Pbl Belt Tensioner Assembly (Old Style)      | 74    |
| 31    | 070 011 146   | Paddle   | Pbl Light Sensor Assembly                    | 69    |
| 7     | 070 011 147   | V-Belt, Paddle Drive, Lower  | Pbl Belt Tensioner Assembly                  | 73    |
| 19    | 070 011 147   | V- Belt, Paddle Drive, Lower   | Positive Ball Lift (Pbl)                     | 67    |
| 9     | 070 011 148   | V-Belt   | Pbl Belt Tensioner Assembly (Old Style)      | 74    |
| 20    | 070 011 148   | V- Belt, Paddle Drive, Upper   | Positive Ball Lift (Pbl)                     | 67    |
| 32    | 070 011 148   | V-Belt, Paddle Drive, Upper  | Pbl Light Sensor Assembly                    | 69    |
| 33    | 070 011 151   | Spacer   | Pbl Light Sensor Assembly                    | 69    |
| 44    | 070 011 170   | Distributor Cable Assembly - Includes Items 45, 49, 50, 51, & 63                     | Distributor Assembly Sheet 2                 | 47    |
| 45    | 070 011 171   | Cable  | Distributor Assembly Sheet 2                 | 47    |
| 46    | 070 011 172   | Ball Joint Assembly - Includes Items 49 and 51                                       | Distributor Assembly Sheet 2                 | 47    |
| 47    | 070 011 173   | Ball Joint Assembly - Includes Items 50 and 51                                       | Distributor Assembly Sheet 2                 | 47    |
| 21    | 070 011 178   | Crank Assembly   | Positive Ball Lift (Pbl)                     | 67    |
| 34    | 070 011 178   | Rudder Drive Crank Assy - Includes Items 19, 21, 35, 54, 57 & 68                     | Pbl Light Sensor Assembly                    | 69    |
| 3     | 070 011 211   | Danger Decal   | Guards and Safety Labels                     | 81    |
| 18    | 070 011 217   | Ratchet Arm Weldment   | Pbl Ratchet Drive Assembly                   | 75    |
| 8     | 070 011 218   | Lever Arm Weldment   | Pbl Track Rail Assembly                      | 77    |
| 35    | 070 011 225   | Crank Adjustment Plate Weldment  | Pbl Light Sensor Assembly                    | 69    |
| 36    | 070 011 273   | Tab  | Pbl Light Sensor Assembly                    | 69    |
| 24    | 070 011 286   | Curtain Rod Bushing  | Kickback Plate Assembly - Ball Side Exit     | 53    |
| 28    | 070 011 286   | Curtain Rod Bushing  | Cushion, Shock Absorber & Curtain Assemblies | 59    |
| 29    | 070 011 288   | Curtain Rod  | Cushion, Shock Absorber & Curtain Assemblies | 59    |
| 47    | 070 011 289   | Shock Absorber Bracket   | Pbl Positive Ball Lift Assembly              | 71    |
| 37    | 070 011 299   | Sensor Brace   | Pbl Light Sensor Assembly                    | 69    |
| 48    | 070 011 323   | Shock Absorber Assembly<br>Includes 18, 19, 20, 23, 24, 38, 47, 65, 77, 81           | Pbl Positive Ball Lift Assembly              | 71    |
| 4     | 070 011 401   | Ball Lift Guard Weldment   | Guards and Safety Labels                     | 81    |
| 38    | 070 011 406   | Rudder Cam Assy, R.H. (Even) - Includes Rudder Cam and Items 62 & 65                 | Pbl Light Sensor Assembly                    | 69    |
| 39    | 070 011 407   | Rudder Cam Assy, L.H. (Odd) - Includes Cam and Items 62 & 65                         | Pbl Light Sensor Assembly                    | 69    |
| 9     | 070 011 411   | Lift Arm Weldment  | Pbl Track Rail Assembly                      | 77    |
| 10    | 070 011 412   | Lift Arm Assembly - Includes Items 9 and 24  | Pbl Track Rail Assembly                      | 77    |
| 11    | 070 011 413   | Lift Assembly - Includes Items 5, 7, 9, 15, 19, 23 & 24                              | Pbl Track Rail Assembly                      | 77    |
| 22    | 070 011 414   | Track Rail Assembly  | Positive Ball Lift (Pbl)                     | 67    |
| 40    | 070 011 418   | Trip Cam   | Pbl Light Sensor Assembly                    | 69    |
| 3     | 070 011 523   | Belt Tightener, R.H. Machine (Odd)<br>Includes Items 1, 5, 7, 9, 13, and 14          | Pbl Belt Tightener Assembly                  | 72    |
| 4     | 070 011 524   | Belt Tightener, L.H. Machine (Even)<br>Includes Items 1, 5, 8, 9, 13, and 14         | Pbl Belt Tightener Assembly                  | 72    |
| 5     | 070 011 525   | Idler Sheave Assy - Includes Items 6 and 11  | Pbl Belt Tightener Assembly                  | 72    |
| 6     | 070 011 526   | Idler Sheave   | Pbl Belt Tightener Assembly                  | 72    |
| 7     | 070 011 527   | Arm Assy, R.H. Machine (Odd) - Includes Weldment and Item 10                         | Pbl Belt Tightener Assembly                  | 72    |
| 8     | 070 011 530   | Arm Assy, L.H. Machine (Even) - Includes Weldment and Item 10                        | Pbl Belt Tightener Assembly                  | 72    |

| ITEM#     | PART#            | DESCRIPTION  | ASSEMBLY                                 | PAGE# |
|-----------|------------------|--|--|-------|
| 10        | 070 011 530      | Spring Extension   | Pbl Belt Tensioner Assembly (Old Style)  | 74    |
| 41        | 070 011 626      | Trip Arm Assembly  | Pbl Light Sensor Assembly                | 69    |
| 25        | 070 011 641      | Urethane Ball Door Ring, Even Lane   | Kickback Plate Assembly - Ball Side Exit | 53    |
| 26        | 070 011 642      | Urethane Ball Door Ring, Odd Lane  | Kickback Plate Assembly - Ball Side Exit | 53    |
| 49        | 070 011 795      | Upper Shaft, D-Bore  | Pbl Positive Ball Lift Assembly          | 71    |
| 50        | 070 011 796      | Lower Shaft, D-Bore  | Pbl Positive Ball Lift Assembly          | 71    |
| 23        | 070 011 810      | Belt Tightener   | Positive Ball Lift (Pbl)                 | 67    |
| 14        | 070 011 819      | Shim, Table & Sweep  | Sweep Arm Assembly                       | 20    |
| 48        | 070 011 909      | Poly-V Distributor Belt  | Distributor Assembly Sheet 2             | 47    |
| 1         | 088 000 001 02   | 90XLi Pinspotter Controller (220V 50/60Hz), W/O T2   | Chassis and Mounting Bracket Assembly    | 65    |
| 19        | 088 000 001 02Ce | XLi Ce Chassis W/O T2  | Chassis and Mounting Bracket Assembly    | 65    |
| 5         | 088 000 004      | Chassis Cover (XLi)  | Guards and Safety Labels                 | 81    |
| 5         | 088 000 005      | Even Logic Cable   | Front End Electrical Installation, XLi   | 11    |
| 6         | 088 000 006      | Even Power Cable   | Front End Electrical Installation, XLi   | 11    |
| Not Shown | 088 000 007      | Odd Logic Cable - Not Shown  | Front End Electrical Installation, XLi   | 11    |
| Not Shown | 088 000 008      | Odd Power Cable - Not Shown  | Front End Electrical Installation, XLi   | 11    |
| 20        | 088 000 019      | Switch Membrane, Keypad  | Chassis and Mounting Bracket Assembly    | 65    |
| 1         | 088 000 022      | Encoder/Home Sensor Assembly   | XLi Motor Replacement Parts              | 17    |
| 9         | 088 000 024      | Dual Pit Light Assembly, Dual Input  | Front End Electrical Installation, XLi   | 11    |
| 2         | 088 000 028      | Encoder Disc   | XLi Motor Replacement Parts              | 17    |
| 3         | 088 000 029      | Encoder Disc Spacer  | XLi Motor Replacement Parts              | 17    |
| 4         | 088 000 030      | Brake Hub 5/8  | XLi Motor Replacement Parts              | 17    |
| 5         | 088 000 032      | Encoder Enclosure  | XLi Motor Replacement Parts              | 17    |
| 6         | 088 000 035      | 90XLi Wheel Guard Decal  | Guards and Safety Labels                 | 81    |
| 2         | 088 000 068      | Chassis Support Bracket  | Chassis and Mounting Bracket Assembly    | 65    |
| 1         | 088 000 076      | Foul Detector Reflector  | Foul Lights                              | 82    |
| 2         | 088 000 077      | 6-32 X 3/16 Screw, Pan Head Phillips - Not Available   | Foul Lights                              | 82    |
| 3         | 088 000 079      | Lens, Foul Detector  | Foul Lights                              | 82    |
| 10        | 088 000 080      | Ball Detector Assembly   | Front End Electrical Installation, XLi   | 11    |
| 4         | 088 000 087      | Screw, Ph, Trs Hd, 1/4-20 X .5", Black   | Foul Lights                              | 82    |
| 5         | 088 000 092      | Internal Wire Harness  | Foul Lights                              | 82    |
| 6         | 088 000 099      | XLi Foul Buzzer  | Foul Lights                              | 82    |
| Not Shown | 088 000 104      | Home Run Cable, Mcu  | Chassis and Mounting Bracket Assembly    | 65    |
| 13        | 088 000 107      | Home Assembly  | Front End Electrical Installation, XLi   | 11    |
| 6         | 088 000 115      | 50 Hertz Motor (Motor Only)  | XLi Motor Replacement Parts              | 17    |
| 7         | 088 000 116      | 60 Hertz Motor (Motor Only)  | XLi Motor Replacement Parts              | 17    |
| 7         | 088 000 128      | Reflector Housing Kit - Includes Cover, Base, Reflectors, and Screws.                        | Foul Lights                              | 82    |
| 14        | 088 000 145      | Front End Motor Assy, 50 Hz  | Front End Electrical Installation, XLi   | 11    |
| 15        | 088 000 146      | Front End Motor Assy, 60 Hz  | Front End Electrical Installation, XLi   | 11    |
| Not Shown | 088 000 151      | Stacklight Bulb, Push-In Pin Lock Base   | Chassis and Mounting Bracket Assembly    | 65    |
| Not Shown | 088 000 152      | Logic Power Fuse, 1A, 250V   | Chassis and Mounting Bracket Assembly    | 65    |
| Not Shown | 088 000 153      | Solenoid & Pit Light Fuse, 1A, 250V  | Chassis and Mounting Bracket Assembly    | 65    |
| 8         | 088 000 165      | Base Plate With Electronics  | Foul Lights                              | 82    |
| 16        | 088 000 189      | Reflector, XLi Ball Detector   | Front End Electrical Installation, XLi   | 11    |
| Not Shown | 088 000 213      | Stacklight Bulb, Screw Base  | Chassis and Mounting Bracket Assembly    | 65    |
| 9         | 088 000 222      | XLi Foul Detector - Includes Base, All Electronics, Cover, and Lens (Shown In Exploded View) | Foul Lights                              | 82    |
| 21        | 088 000 225      | Led Stacklight Assembly  | Chassis and Mounting Bracket Assembly    | 65    |
| 4         | 088 001 089      | Decal, Sweep, Qamf, XLi  | Sweep Bar Mounting Assembly              | 21    |
| 5         | 088 001 094      | Switch Actuator Weldmnt, Durabin I   | Durabin                                  | 40    |
| 7         | 088 001 115      | Ball Lift Guard, Rear  | Guards and Safety Labels                 | 81    |
| 12        | 088 001 120      | Even Machine Tread Plate   | Back End Assembly                        | 51    |
| 13        | 088 001 121      | Odd Machine Tread Plate  | Back End Assembly                        | 51    |
| 8         | 088 001 154      | End Guard Safety Label   | Guards and Safety Labels                 | 81    |
| 9         | 088 001 156      | Ce Label Kit For Pinspotter Pair   | Guards and Safety Labels                 | 81    |
| 10        | 088 001 160      | E-Stop Button & Switch Assembly (XLi)  | Guards and Safety Labels                 | 81    |
| 11        | 088 001 169      | Ball Lift Guard, Rear, Kit - Includes Item 7 Plus Mounting Hardware                          | Guards and Safety Labels                 | 81    |
| 12        | 088 001 174      | End Machine Guard Kit, LH  | Guards and Safety Labels                 | 81    |
| 6         | 088 001 200      | Durabin Switch Spring  | Durabin                                  | 40    |
| 7         | 088 001 211      | Pin Holder   | Shuttle Assembly                         | 41    |
| 12        | 088 001 230      | Thimble, Urethane (For Use With Gripper Track Cover Only)                                    | Pbl Track Rail Assembly                  | 77    |
|           | 088 001 230      | Thimbles   | Gripper Kit                              | 77    |
| 13        | 088 001 231      | Gripper Rail Cover   | Pbl Track Rail Assembly                  | 77    |
|           | 088 001 231      | Gripper Rail Cover (Lower)   | Gripper Kit                              | 77    |
| 14        | 088 001 232      | Upper Rail Cover, Black Rubber   | Pbl Track Rail Assembly                  | 77    |
|           | 088 001 232      | Upper Rail Cover, Black Rubber   | Gripper Kit                              | 77    |
| 51        | 088 001 233      | Ball Lift Belt   | Pbl Positive Ball Lift Assembly          | 71    |
|           | 088 001 233      | Ball Lift Belt   | Gripper Kit                              | 77    |
| 7         | 088 001 264      | Bin Frame Edge Trim  | Durabin                                  | 40    |
| 8         | 088 001 286      | Brake & Splined Hub  | XLi Motor Replacement Parts              | 17    |
| 17        | 088 001 292      | Reflector Kit - Includes 2 Reflectors and Bracket  | Front End Electrical Installation, XLi   | 11    |
| 15        | 088 001 353      | Tie Rod Assembly   | Sweep Arm Assembly                       | 20    |
| 8         | 088 001 600      | Durabin li   | Durabin                                  | 40    |
| 9         | 088 001 601      | Durabin li Frame Weldment  | Durabin                                  | 40    |
| 10        | 088 001 602      | Durabin li Bin Switch Assembly   | Durabin                                  | 40    |
| 11        | 088 001 603      | Shuttle Rear Support Guide   | Durabin                                  | 40    |
| 12        | 088 001 604      | Spacer, .25X.375X.375, Steel   | Durabin                                  | 40    |

| ITEM#     | PART#         | DESCRIPTION  | ASSEMBLY  | PAGE# |
|-----------|---------------|--|---|-------|
| 13        | 088 001 605   | Hat Replacement Spacer   | Durabin   | 40    |
| 14        | 088 001 606   | Durabin li Switch Bracket  | Durabin   | 40    |
| 15        | 088 001 607   | Durabin li Shuttle Support, 7-Side   | Durabin   | 40    |
| 16        | 088 001 608   | Durabin li Switch Actuator   | Durabin   | 40    |
| 17        | 088 001 610   | Durabin li Shuttle Support, 10-Side  | Durabin   | 40    |
| 18        | 088 001 617   | Durabin li Shuttle Assy - Not Shown  | Durabin   | 40    |
| 19        | 088 001 620   | Durabin li Assy and Frame - Includes All Durabin li Parts Shown.                               | Durabin   | 40    |
| 7         | 088 004 501   | Gearbox, R.H. Machine, 60 Hz (Odd)   | Back End Drive Motor & Bracket Assembly                 | 63    |
| 8         | 088 004 502   | Gearbox, L.H. Machine, 60 Hz (Even)  | Back End Drive Motor & Bracket Assembly                 | 63    |
| 6         | 088 004 504   | Front End Gearbox, 60Hz  | Front End Electrical Installation, XL                   | 10    |
| 12        | 088 004 504   | Front End Gearbox, 60Hz  | Front End Electrical Installation, XLi                  | 11    |
| 9         | 088 004 506   | Gearbox, R.H. Machine, 50 Hz (Odd)   | Back End Drive Motor & Bracket Assembly                 | 63    |
| 10        | 088 004 507   | Gearbox, L.H. Machine, 50 Hz (Even)  | Back End Drive Motor & Bracket Assembly                 | 63    |
| 7         | 088 004 509   | Front End Gearbox, 50Hz  | Front End Electrical Installation, XL                   | 10    |
| 11        | 088 004 509   | Front End Gearbox, 50Hz  | Front End Electrical Installation, XLi                  | 11    |
| 1         | 088 005 500   | Respot Tie Rod Assembly  | Table & Bracket Assembly                                | 25    |
| 4         | 088 005 500   | Respot Tie Rod Assy - Steel Table, Black Tie Rod Bracket                                       | Tie Rod Assemblies                                      | 29    |
| 2         | 088 005 501   | Spot Tie Rod Assembly  | Table & Bracket Assembly                                | 25    |
| 12        | 088 005 501   | Spot Tie Rod Assembly  | Spot & Respot Linkages                                  | 18    |
| 18        | 088 005 501   | Spot Tie Rod Assy - Steel Table, Black Tie Rod Bracket   | Tie Rod Assemblies                                      | 29    |
| 1         | 088 005 502   | Table  | Table & Respot Cells                                    | 32    |
| 3         | 088 200 180   | Chassis Rear Cover Strap   | Chassis and Mounting Bracket Assembly                   | 65    |
| 4         | 088 200 486   | Controller Mounting Weldment   | Chassis and Mounting Bracket Assembly                   | 65    |
| 21        | 088 200 566   | Cross Beam Weldment  | Front End Frame & Platform Assembly, Right Hand Machine | 7     |
| 21        | 088 200 566   | Crossbeam Weldment   | Front End Frame & Platform Assembly - Even Machine      | 9     |
| 5         | 088 200 568   | Chassis Cover Assembly, Wide   | Chassis and Mounting Bracket Assembly                   | 65    |
| 8         | 088 500 153   | Cross Tube, Long   | Shuttle Assembly  | 41    |
| 9         | 088 500 155   | Side Tube, Long  | Shuttle Assembly  | 41    |
| 10        | 088 500 157   | Tube, Center   | Shuttle Assembly  | 41    |
| 11        | 088 500 158   | Cross Tube, Short  | Shuttle Assembly  | 41    |
| 12        | 088 500 161   | End Clamp, Front and Rear of Steel Bin Pinspotters, Front Only On Durabin Equipped Pinspotters | Shuttle Assembly  | 41    |
| 13        | 088 500 163   | Shuttle Rear End Clamp For Durabin   | Shuttle Assembly  | 41    |
| 13        | 088 500 163BG | Shuttle Rear End Clamp For Durabin, Bag of 16  | Shuttle Assembly  | 41    |
| 17        | 088 500 505Bx | Black Carpet Belt  | Bounce Plate and Roller Assembly                        | 56    |
| 14        | 088-005-503   | Tie Rod Bracket  | Tie Rod Bracket Assembly - Steel                        | 28    |
| 11        | 090 001 130   | Distributor Drive Housing  | Back End Drive Motor & Bracket Assembly                 | 63    |
| 8         | 090 002 014   | Shaft  | Pbl Belt Tensioner Assembly                             | 73    |
| 24        | 090 002 015   | Belt Tensioner Assembly  | Positive Ball Lift (Pbl)                                | 67    |
| 9         | 090 002 016   | Spring Extension   | Pbl Belt Tensioner Assembly                             | 73    |
| 25        | 090 002 016   | Spring Extension   | Positive Ball Lift (Pbl)                                | 67    |
| 3         | 090 002 017   | Shaft, LH Machine (Even)   | Distributor Drive Shaft - Later                         | 43    |
| 4         | 090 002 018   | Shaft, RH Machine (Odd)  | Distributor Drive Shaft - Later                         | 43    |
| 5         | 090 002 019   | Ball Bearing   | Distributor Drive Shaft - Later                         | 43    |
| 5         | 090 002 020   | Link Body  | Table & Respot Links                                    | 31    |
| 23        | 090 002 020   | Link Body  | Table Wireway Assembly - Aluminum & Steel               | 27    |
| 15        | 090 002 024   | Cradle Liner   | Pbl Track Rail Assembly                                 | 77    |
| 10        | 090 002 028   | Spring Roller Pin  | Table To Crossbeam Assembly - Steel                     | 24    |
| 22        | 090 002 028   | Pin Spring Roller  | Front End Frame & Platform Assembly, Right Hand Machine | 7     |
| 22        | 090 002 028   | Pin Spring Roller  | Front End Frame & Platform Assembly - Even Machine      | 9     |
| 6         | 090 002 034   | Ball Bearing Retainer  | Distributor Drive Shaft - Later                         | 43    |
| 13        | 090 002 065   | Pin Wheel Belt   | Pin Elevator & Hoop Assembly                            | 61    |
| 24        | 090 002 538   | Table Connector Bracket  | Table Wireway Assembly - Aluminum & Steel               | 27    |
| Not Shown | 090 002 775   | Solenoid & Pit Light Fuse, 1A, 250V  | Chassis and Mounting Bracket Assembly                   | 65    |
| Not Shown | 090 002 776   | Fuse, Logic Power, 1A, Fast Blow   | Chassis and Mounting Bracket Assembly                   | 65    |
| 40        | 090 003 077   | Orientor Pan   | Distributor Assembly Sheet 1                            | 45    |
| 14        | 090 003 102   | Hoop Weldment  | Pin Elevator & Hoop Assembly                            | 61    |
| 15        | 090 003 111   | Upper Guard Support  | Pin Elevator & Hoop Assembly                            | 61    |
| 16        | 090 003 112   | Distributor Mount  | Pin Elevator & Hoop Assembly                            | 61    |
| 17        | 090 003 116   | Spacer   | Pin Elevator & Hoop Assembly                            | 61    |
| 52        | 090 003 401   | Clutch Race, Long  | Pbl Positive Ball Lift Assembly                         | 71    |
| 20        | 090 003 459   | Damper Base  | Solenoid Operated Shuttle Assembly                      | 15    |
| 12        | 090 003 508   | Tensioner Assembly   | Back End Drive Motor & Bracket Assembly                 | 63    |
| 6         | 090 003 509   | Motor Mount Weldment   | Chassis and Mounting Bracket Assembly                   | 65    |
| 13        | 090 003 509   | Motor Mount Weldment   | Back End Drive Motor & Bracket Assembly                 | 63    |
| 14        | 090 003 516   | 50Hz Gearmotor Assembly  | Front End Drive   | 14    |
| 15        | 090 003 517   | 60Hz Gearmotor Assembly  | Front End Drive   | 14    |
| 8         | 090 003 703   | Dual Pit Light Cable - Used On Items 10, 11, and 13  | Front End Electrical Installation, XL                   | 10    |
| 9         | 090 003 714   | Motor Cable Large Plug   | Front End Electrical Installation, XL                   | 10    |
| Not Shown | 090 003 748   | Brake Capacitor, 110V  | Chassis and Mounting Bracket Assembly                   | 65    |
| 14        | 090 003 766   | Motor, 60 Hz   | Back End Drive Motor & Bracket Assembly                 | 63    |
| 11        | 090 003 795   | Counterbalance Spring Roller   | Table To Crossbeam Assembly - Steel                     | 24    |
| 23        | 090 003 795   | Counterbalance Spring Roller   | Front End Frame & Platform Assembly, Right Hand Machine | 7     |
| 23        | 090 003 795   | Counterbalance Spring Roller   | Front End Frame & Platform Assembly - Even Machine      | 9     |
| 10        | 090 003 800   | Pit Light Assembly, 120V, 60 Hz  | Front End Electrical Installation, XL                   | 10    |
| 11        | 090 003 801   | Pit Light Assembly, 240V, 50 Hz  | Front End Electrical Installation, XL                   | 10    |
| 13        | 090 003 803   | Pit Light Assembly, 240V, 60 Hz  | Front End Electrical Installation, XL                   | 10    |



| ITEM# | PART#       | DESCRIPTION  | ASSEMBLY  | PAGE# |
|-------|-------------|--|---|-------|
| 17    | 090 004 001 | Crossbeam Weldment   | Front End Drive   | 14    |
| 20    | 090 004 001 | Crossbeam Weldment   | Tie Rod Assemblies                                      | 29    |
| 24    | 090 004 002 | Side Frame, R.H. (Odd 10 PS)   | Front End Frame & Platform Assembly, Right Hand Machine | 7     |
| 24    | 090 004 003 | Side Frame, R.H. (Even 10 PS)  | Front End Frame & Platform Assembly - Even Machine      | 9     |
| 25    | 090 004 006 | Side Frame, L.H. (Odd 7 PS)  | Front End Frame & Platform Assembly, Right Hand Machine | 7     |
| 25    | 090 004 006 | Side Frame, L.H. (Odd 7 PS)  | Front End Frame & Platform Assembly - Even Machine      | 9     |
| 12    | 090 004 007 | Tube Hanger Bracket  | Table To Crossbeam Assembly - Steel                     | 24    |
| 13    | 090 004 007 | Torque Tube Hanger Assembly  | Table Torque Tube Assembly - Aluminum                   | 26    |
| 16    | 090 004 007 | Torque Tube Hanger   | Sweep Arm Assembly                                      | 20    |
| 14    | 090 004 008 | Table Torque Tube Weldment - New Part Number 090-005-645               | Table Torque Tube Assembly - Aluminum                   | 26    |
| 17    | 090 004 010 | Sweep Rocker Arm   | Sweep Arm Assembly                                      | 20    |
| 21    | 090 004 017 | Respot Lever Shaft   | Solenoid Operated Shuttle Assembly                      | 15    |
| 13    | 090 004 028 | Warning Label  | Guards and Safety Labels                                | 81    |
| 20    | 090 004 033 | Clamp  | Yoke & Spotting Cup Assembly                            | 37    |
| 18    | 090 004 055 | Washer   | Pin Elevator & Hoop Assembly                            | 61    |
| 15    | 090 004 060 | Front End Motor, 50Hz  | Front End Electrical Installation, XL                   | 10    |
| 16    | 090 004 062 | Front End Motor, 60Hz  | Front End Electrical Installation, XL                   | 10    |
| 49    | 090 004 110 | Ball Head Stud   | Distributor Assembly Sheet 2                            | 47    |
| 50    | 090 004 111 | Ball Head Stud   | Distributor Assembly Sheet 2                            | 47    |
| 51    | 090 004 112 | Shell & Clip Assembly  | Distributor Assembly Sheet 2                            | 47    |
| 10    | 090 004 113 | Respot Yoke Arm  | Respot Cell Assembly, Cells 7 Through 10                | 35    |
| 11    | 090 004 113 | Respot Yoke Arm  | Respot Cell Assembly, Cells 1 Through 6                 | 34    |
| 21    | 090 004 113 | Arm Yoke Respot  | Respot Cell Assembly                                    | 33    |
| 19    | 090 004 116 | Pin Wheel Weldment, R.H. Machine (Odd - Not Shown)                     | Pin Elevator & Hoop Assembly                            | 61    |
| 20    | 090 004 117 | Pin Wheel Weldment, L.H. Machine (Even)                                | Pin Elevator & Hoop Assembly                            | 61    |
| 11    | 090 004 118 | Respot Yoke  | Respot Cell Assembly, Cells 7 Through 10                | 35    |
| 12    | 090 004 118 | Respot Yoke  | Respot Cell Assembly, Cells 1 Through 6                 | 34    |
| 12    | 090 004 119 | Respot Finger  | Respot Cell Assembly, Cells 7 Through 10                | 35    |
| 13    | 090 004 119 | Respot Finger  | Respot Cell Assembly, Cells 1 Through 6                 | 34    |
| 22    | 090 004 119 | Finger, Respot (Only For Use With Inserts 792-506-033 and 090-005-617) | Respot Cell Assembly                                    | 33    |
| 27    | 090 004 126 | Kickplate, R.H. Side, R.H. Machine (Odd Bds)                           | Kickback Plate Assembly - Ball Side Exit                | 53    |
| 35    | 090 004 127 | Kickback Weldment L.H. Side, R.H. Machine (Odd 7 PS - Not Shown)       | Kickback Plate Assembly Opposite Ball Exit Side         | 55    |
| 36    | 090 004 128 | Kickback Weldment R.H. Side, L.H. Machine (Even 10 PS)                 | Kickback Plate Assembly Opposite Ball Exit Side         | 55    |
| 28    | 090 004 129 | Kickplate, L.H. Side, L.H. Machine (Even Bds - Not Shown)              | Kickback Plate Assembly - Ball Side Exit                | 53    |
| 29    | 090 004 131 | Pit Support Bracket  | Kickback Plate Assembly - Ball Side Exit                | 53    |
| 37    | 090 004 131 | Pit Support Bracket  | Kickback Plate Assembly Opposite Ball Exit Side         | 55    |
| 30    | 090 004 136 | Spacer   | Kickback Plate Assembly - Ball Side Exit                | 53    |
| 18    | 090 004 203 | 82-90 Carpet Drive Sheave  | Bounce Plate and Roller Assembly                        | 56    |
| 7     | 090 004 513 | Tie Plate  | Chassis and Mounting Bracket Assembly                   | 65    |
| 15    | 090 004 517 | Back End Motor Drip Pan  | Back End Drive Motor & Bracket Assembly                 | 63    |
| 16    | 090 004 519 | Spacer   | Back End Drive Motor & Bracket Assembly                 | 63    |
| 26    | 090 004 520 | V- Belt, Carpet Drive  | Positive Ball Lift (Pbl)                                | 67    |
| 14    | 090 004 707 | Chassis Cover (XL)   | Guards and Safety Labels                                | 81    |
| 15    | 090 004 708 | Front End Box Cover  | Guards and Safety Labels                                | 81    |
| 16    | 090 004 709 | Front End Cover Guard  | Guards and Safety Labels                                | 81    |
| 13    | 090 005 015 | Torque Tube Bearing  | Table To Crossbeam Assembly - Steel                     | 24    |
| 15    | 090 005 015 | Torque Tube Bearing  | Table Torque Tube Assembly - Aluminum                   | 26    |
| 18    | 090 005 015 | Torque Tube Bearing  | Sweep Arm Assembly                                      | 20    |
| 22    | 090 005 017 | Solenoid Pivot Shaft   | Solenoid Operated Shuttle Assembly                      | 15    |
| 23    | 090 005 018 | Solenoid Bracket   | Solenoid Operated Shuttle Assembly                      | 15    |
| 13    | 090 005 025 | Pivot Shaft, 5/8 X 8-5/8   | Spot & Respot Linkages                                  | 18    |
| 24    | 090 005 028 | Solenoid Pivot Stud  | Solenoid Operated Shuttle Assembly                      | 15    |
| 25    | 090 005 029 | Solenoid Guard   | Solenoid Operated Shuttle Assembly                      | 15    |
| 26    | 090 005 034 | End Plate  | Front End Frame & Platform Assembly, Right Hand Machine | 7     |
| 26    | 090 005 034 | End Plate  | Front End Frame & Platform Assembly - Even Machine      | 9     |
| 17    | 090 005 053 | Crossbeam Cover  | Front End Electrical Installation, XL                   | 10    |
| 18    | 090 005 053 | Crossbeam Cover  | Front End Electrical Installation, XLi                  | 11    |
| 21    | 090 005 106 | Hinge/Spacer   | Pin Elevator & Hoop Assembly                            | 61    |
| 22    | 090 005 108 | Pin Wheel Strip  | Pin Elevator & Hoop Assembly                            | 61    |
| 17    | 090 005 118 | Handrail   | Guards and Safety Labels                                | 81    |
| 23    | 090 005 120 | Rail Standoff Bracket  | Pin Elevator & Hoop Assembly                            | 61    |
| 24    | 090 005 123 | Nut Plate  | Pin Elevator & Hoop Assembly                            | 61    |
| 25    | 090 005 144 | Static Brush   | Pin Elevator & Hoop Assembly                            | 61    |
| 30    | 090 005 230 | Cushion Cover  | Cushion, Shock Absorber & Curtain Assemblies            | 59    |
| 38    | 090 005 250 | Rod End  | Steel Bin Assembly                                      | 39    |
| 21    | 090 005 251 | Tie Rod Assy Respot  | Tie Rod Assemblies                                      | 29    |
| 14    | 090 005 253 | Tie Rod Assembly   | Table To Crossbeam Assembly - Steel                     | 24    |
| 22    | 090 005 253 | Tie Rod Assy   | Tie Rod Assemblies                                      | 29    |
| 19    | 090 005 254 | Drive Link Connecting Rod  | Sweep Arm Assembly                                      | 20    |
| 26    | 090 005 256 | Rod End  | Pin Elevator & Hoop Assembly                            | 61    |
| 20    | 090 005 257 | Rod End  | Sweep Arm Assembly                                      | 20    |
| 42    | 090 005 258 | Rod Assembly   | Pbl Light Sensor Assembly                               | 69    |
| 16    | 090 005 259 | Rod Assembly   | Pbl Track Rail Assembly                                 | 77    |
| 41    | 090 005 262 | Rod Link Assembly  | Distributor Assembly Sheet 1                            | 45    |
| 26    | 090 005 263 | Shuttle Connecting Rod   | Solenoid Operated Shuttle Assembly                      | 15    |
| 14    | 090 005 264 | End Fitting, 7/16-20, L.H. Threads                                     | Spot & Respot Linkages                                  | 18    |
| 23    | 090 005 264 | End Fitting, R.H. (Grease-Less)  | Tie Rod Assemblies                                      | 29    |

| ITEM#     | PART#       | DESCRIPTION   | ASSEMBLY  | PAGE# |
|-----------|-------------|---|---|-------|
| 15        | 090 005 265 | End Fitting, 7/16-20, R.H. Threads                      | Spot & Respot Linkages                                  | 18    |
| 24        | 090 005 265 | End Fitting L.H. (Grease-Less)                          | Tie Rod Assemblies                                      | 29    |
| 19        | 090 005 270 | Bounce Board, Front, R.H. Machine (Odd)                 | Bounce Plate and Roller Assembly                        | 56    |
| 20        | 090 005 271 | Bounce Board, Front, L.H. Machine (Even)                | Bounce Plate and Roller Assembly                        | 56    |
| 21        | 090 005 272 | Bounce Board, Rear, R.H. Machine (Odd)                  | Bounce Plate and Roller Assembly                        | 56    |
| 22        | 090 005 273 | Bounce Board, Rear, L.H. Machine (Even)                 | Bounce Plate and Roller Assembly                        | 56    |
| 23        | 090 005 274 | Support Channel   | Bounce Plate and Roller Assembly                        | 56    |
| 2         | 090 005 503 | Link Connector Pivot                                    | Table & Respot Cells                                    | 32    |
| 3         | 090 005 504 | Respot Pivot  | Table & Respot Cells                                    | 32    |
| 3         | 090 005 505 | Front Table Bracket                                     | Table & Bracket Assembly                                | 25    |
| 15        | 090 005 509 | Table Support Weldment, (7 PS)                          | Table To Crossbeam Assembly - Steel                     | 24    |
| 16        | 090 005 514 | Table Support Weldment, (10 PS)                         | Table To Crossbeam Assembly - Steel                     | 24    |
| 15        | 090 005 520 | Spacer  | Tie Rod Bracket Assembly - Steel                        | 28    |
| 16        | 090 005 521 | Shaft, Short Side                                       | Tie Rod Bracket Assembly - Steel                        | 28    |
| 13        | 090 005 522 | Respot Finger Bushing                                   | Respot Cell Assembly, Cells 7 Through 10                | 35    |
| 14        | 090 005 522 | Respot Finger Bushing                                   | Respot Cell Assembly, Cells 1 Through 6                 | 34    |
| 17        | 090 005 532 | Spacer  | Tie Rod Bracket Assembly - Steel                        | 28    |
| 18        | 090 005 533 | Spacer  | Tie Rod Bracket Assembly - Steel                        | 28    |
| 16        | 090 005 534 | Spacer  | Spot & Respot Linkages                                  | 18    |
| 4         | 090 005 536 | Rear Mounting Bracket                                   | Table & Bracket Assembly                                | 25    |
| 4         | 090 005 540 | Respot Cell Assy Cells 7 Through 10                     | Table & Respot Cells                                    | 32    |
| 14        | 090 005 540 | Respot Cell Assembly, Cells 7 - 10                      | Respot Cell Assembly, Cells 7 Through 10                | 35    |
| 5         | 090 005 544 | Respot Cell Assy Cells 1 Through 6                      | Table & Respot Cells                                    | 32    |
| 15        | 090 005 544 | Respot Cell Assembly, Cells 1 Through 6                 | Respot Cell Assembly, Cells 1 Through 6                 | 34    |
| 21        | 090 005 545 | Front Leg Assembly - See [B33] For Parts Breakdown      | Yoke & Spotting Cup Assembly                            | 37    |
| 2         | 090 005 547 | Rear Leg  | X Frame To Table Connections                            | 36    |
| 22        | 090 005 548 | Rear Leg Assembly - See [B33] For Parts Breakdown       | Yoke & Spotting Cup Assembly                            | 37    |
| 29        | 090 005 549 | Table Drive Eccentric                                   | Table Drive Assembly                                    | 16    |
| 18        | 090 005 550 | Table Drive Assembly                                    | Front End Drive   | 14    |
| 23        | 090 005 553 | Shaft #1  | Yoke & Spotting Cup Assembly                            | 37    |
| 24        | 090 005 554 | Arm Actuator  | Yoke & Spotting Cup Assembly                            | 37    |
| 6         | 090 005 555 | 7-Pin Link  | Table & Respot Links                                    | 31    |
| 7         | 090 005 556 | 8-Pin Link  | Table & Respot Links                                    | 31    |
| 8         | 090 005 557 | 9-Pin Link  | Table & Respot Links                                    | 31    |
| 9         | 090 005 558 | 10-Pin Link   | Table & Respot Links                                    | 31    |
| 3         | 090 005 564 | Front Leg   | X Frame To Table Connections                            | 36    |
| 17        | 090 005 564 | Spacer, Long  | Spot & Respot Linkages                                  | 18    |
| 19        | 090 005 565 | Table Drive Shaft                                       | Front End Drive   | 14    |
| 10        | 090 005 571 | Pin, 8, 9, & 10 Links                                   | Table & Respot Links                                    | 31    |
| 15        | 090 005 571 | Pin, 8-9-10 Links                                       | Respot Cell Assembly, Cells 7 Through 10                | 35    |
| 18        | 090 005 576 | Spring Hanger   | Spot & Respot Linkages                                  | 18    |
| 25        | 090 005 577 | Spring Hook   | Yoke & Spotting Cup Assembly                            | 37    |
| 26        | 090 005 578 | Shaft #4  | Yoke & Spotting Cup Assembly                            | 37    |
| 20        | 090 005 589 | Spot & Respot Cam                                       | Front End Drive   | 14    |
| 4         | 090 005 593 | Axle Tube (Sleeve)                                      | X Frame To Table Connections                            | 36    |
| 17        | 090 005 597 | Leveling Spacer   | Table To Crossbeam Assembly - Steel                     | 24    |
| 2         | 090 005 600 | Actuator Lever Weldment                                 | Front Actuator & Connector Assemblies                   | 30    |
| 3         | 090 005 603 | Actuator Base Weldment                                  | Front Actuator & Connector Assemblies                   | 30    |
| 5         | 090 005 603 | Base Plate Weldment Actuator                            | Table & Bracket Assembly                                | 25    |
| 4         | 090 005 607 | Front Connecting Link                                   | Front Actuator & Connector Assemblies                   | 30    |
| 5         | 090 005 612 | Front Connecting Link Pin, 7 Pin                        | Front Actuator & Connector Assemblies                   | 30    |
| 6         | 090 005 613 | Rod Assembly, Long                                      | Table & Bracket Assembly                                | 25    |
| 7         | 090 005 615 | Rod Assembly, Short                                     | Table & Bracket Assembly                                | 25    |
| 16        | 090 005 617 | Finger Insert   | Respot Cell Assembly, Cells 1 Through 6                 | 34    |
| 16        | 090 005 617 | Finger Insert   | Respot Cell Assembly, Cells 7 Through 10                | 35    |
| 19        | 090 005 629 | Pin   | Tie Rod Bracket Assembly - Steel                        | 28    |
| 20        | 090 005 631 | Pivot Weldment  | Tie Rod Bracket Assembly - Steel                        | 28    |
| 17        | 090 005 632 | Finger Pivot Wing                                       | Respot Cell Assembly, Cells 1 Through 6                 | 34    |
| 17        | 090 005 632 | Finger Pivot Wing                                       | Respot Cell Assembly, Cells 7 Through 10                | 35    |
| 8         | 090 005 637 | Pivot Support Bracket                                   | Table & Bracket Assembly                                | 25    |
| 18        | 090 005 640 | Stud, Long  | Respot Cell Assembly, Cells 1 Through 6                 | 34    |
| 18        | 090 005 640 | Stud, Long  | Respot Cell Assembly, Cells 7 Through 10                | 35    |
| 18        | 090 005 642 | Warning Decal (On Yoke)                                 | Guards and Safety Labels                                | 81    |
| 18        | 090 005 645 | Torque Tube Weldment                                    | Table To Crossbeam Assembly - Steel                     | 24    |
| 19        | 090 005 646 | Side Brace, L.H. (7 PS)                                 | Table To Crossbeam Assembly - Steel                     | 24    |
| 27        | 090 005 646 | Inner Side Brace L.H. (7 PS)                            | Front End Frame & Platform Assembly, Right Hand Machine | 7     |
| 27        | 090 005 646 | Inner Side Brace, L.H. (7 PS)                           | Front End Frame & Platform Assembly - Even Machine      | 9     |
| 20        | 090 005 647 | Side Brace, R.H. (10 PS)                                | Table To Crossbeam Assembly - Steel                     | 24    |
| 28        | 090 005 647 | Inner Side Brace R.H. (10 PS)                           | Front End Frame & Platform Assembly, Right Hand Machine | 7     |
| 28        | 090 005 647 | Inner Side Brace, R.H. (10 PS)                          | Front End Frame & Platform Assembly - Even Machine      | 9     |
| 19        | 090 005 651 | Spot Tie Rod Assy - Steel Table, Silver Tie Rod Bracket | Tie Rod Assemblies                                      | 29    |
| 21        | 090 005 654 | Sleeve, Upright   | Table To Crossbeam Assembly - Steel                     | 24    |
| 21        | 090 005 655 | Shaft   | Tie Rod Bracket Assembly - Steel                        | 28    |
| 9         | 090 005 656 | Rear Bracket Shim                                       | Table & Bracket Assembly                                | 25    |
| 22        | 090 005 662 | Counterbalance Spring, Small                            | Table To Crossbeam Assembly - Steel                     | 24    |
| Not Shown | 090 005 706 | Logic Power Cable                                       | Chassis and Mounting Bracket Assembly                   | 65    |
| Not Shown | 090 005 706 | Logic Power Cable                                       | Chassis and Mounting Bracket Assembly                   | 65    |

| ITEM#     | PART#       | DESCRIPTION  | ASSEMBLY  | PAGE# |
|-----------|-------------|--|---|-------|
| Not Shown | 090 005 714 | Front End Box Power Cable  | Chassis and Mounting Bracket Assembly                   | 65    |
| Not Shown | 090 005 714 | Front End Box Power Cable  | Chassis and Mounting Bracket Assembly                   | 65    |
| 27        | 090 005 723 | Solenoid, 50/60 Hz, 230V   | Solenoid Operated Shuttle Assembly                      | 15    |
| 18        | 090 005 733 | Front End Cable  | Front End Electrical Installation, XL                   | 10    |
| Not Shown | 090 005 733 | Front End Box Communication Cable                                    | Chassis and Mounting Bracket Assembly                   | 65    |
| Not Shown | 090 005 733 | Front End Box Communication Cable                                    | Chassis and Mounting Bracket Assembly                   | 65    |
| 19        | 090 005 734 | Strike/Foul Cable  | Front End Electrical Installation, XL                   | 10    |
| Not Shown | 090 005 748 | Home Run Cable, Mcu  | Chassis and Mounting Bracket Assembly                   | 65    |
| Not Shown | 090 005 748 | Home Run Cable, Mcu  | Chassis and Mounting Bracket Assembly                   | 65    |
| Not Shown | 090 005 749 | Daisy Chain Cable  | Chassis and Mounting Bracket Assembly                   | 65    |
| Not Shown | 090 005 749 | Daisy Chain Cable  | Chassis and Mounting Bracket Assembly                   | 65    |
| Not Shown | 090 005 749 | Daisy Chain Cable  | Chassis and Mounting Bracket Assembly                   | 65    |
| Not Shown | 090 005 758 | Even Logic Cable - Not Shown   | Front End Electrical Installation, XL                   | 10    |
| 22        | 090 005 759 | Odd Logic Cable  | Front End Electrical Installation, XL                   | 10    |
| Not Shown | 090 005 762 | Even Power Cable - Not Shown   | Front End Electrical Installation, XL                   | 10    |
| 24        | 090 005 763 | Odd Power Cable  | Front End Electrical Installation, XL                   | 10    |
| Not Shown | 090 005 794 | Terminator Cable   | Chassis and Mounting Bracket Assembly                   | 65    |
| Not Shown | 090 005 794 | Terminator Cable   | Chassis and Mounting Bracket Assembly                   | 65    |
| 19        | 090 005 827 | Universal Front End Box (XL)   | Guards and Safety Labels                                | 81    |
| 25        | 090 005 827 | Front End Control Box (Universal)                                    | Front End Electrical Installation, XL                   | 10    |
| Not Shown | 090 005 855 | Ac Power Cable   | Chassis and Mounting Bracket Assembly                   | 65    |
| Not Shown | 090 005 855 | Ac Power Cable   | Chassis and Mounting Bracket Assembly                   | 65    |
| 19        | 090 005 876 | Motor Cable  | Front End Electrical Installation, XLi                  | 11    |
| 26        | 090 005 876 | Motor Cable Small Plug   | Front End Electrical Installation, XL                   | 10    |
| 10        | 090 005 892 | Radaray Cover XL/XLi (No Led's)                                      | Foul Lights   | 82    |
| 7         | 090 006 102 | Distributor Drive Shaft Assy, RH (Odd)                               | Distributor Drive Shaft - Later                         | 43    |
| 8         | 090 006 103 | Distributor Drive Shaft Assy, LH (Even)                              | Distributor Drive Shaft - Later                         | 43    |
| 24        | 090 006 124 | Carpet Belt, Pumpkin/Tan   | Bounce Plate and Roller Assembly                        | 56    |
| 21        | 090 006 125 | Lower Steel Sweep Spacer   | Sweep Arm Assembly                                      | 20    |
| 22        | 090 006 126 | Pin, Steel Sweep Linkage   | Sweep Arm Assembly                                      | 20    |
| 23        | 090 006 127 | Steel Sweep Link Sleeve  | Sweep Arm Assembly                                      | 20    |
| 24        | 090 006 128 | Sweep Link Bracket   | Sweep Arm Assembly                                      | 20    |
| 1         | 090 006 129 | Sweep Mounting Bracket L.H. (7 PS)                                   | Sweep Bar Mounting Assembly                             | 21    |
| 2         | 090 006 130 | Sweep Mounting Bracket R.H. (10 PS)                                  | Sweep Bar Mounting Assembly                             | 21    |
| 25        | 090 006 131 | Sweep Shock Mount Plate  | Sweep Arm Assembly                                      | 20    |
| 26        | 090 006 132 | Steel Sweep Link, Upper & Lower                                      | Sweep Arm Assembly                                      | 20    |
| 27        | 090 006 133 | Middle Link, Steel   | Sweep Arm Assembly                                      | 20    |
| 28        | 090 006 134 | Drive Link Pin   | Sweep Arm Assembly                                      | 20    |
| 29        | 090 006 135 | Drive Link Bushing/Spacer  | Sweep Arm Assembly                                      | 20    |
| 30        | 090 006 136 | Shock Mount  | Sweep Arm Assembly                                      | 20    |
| 31        | 090 006 137 | Bumper   | Sweep Arm Assembly                                      | 20    |
| 32        | 090 006 138 | Rod End, 7/16" 20 X .5   | Sweep Arm Assembly                                      | 20    |
| 33        | 090 006 139 | Stabilizer Link Assy Includes Items 1, 2, and 8                      | Sweep Arm Assembly                                      | 20    |
| 34        | 090 006 140 | Drive Link Assy Includes Items 1, 2, 5, 45, and Link Assy 070003158  | Sweep Arm Assembly                                      | 20    |
| 35        | 090 006 145 | Sweep Link Slide Assy Includes Items 11, 12, 13, 20, 32, and 51      | Sweep Arm Assembly                                      | 20    |
| 3         | 090 006 166 | Insert Sweep Logo, Glow - White Letters, Black Background            | Sweep Bar Mounting Assembly                             | 21    |
| 42        | 090 006 663 | Trip Stop Rod Assembly   | Distributor Assembly Sheet 1                            | 45    |
| 43        | 090 006 665 | Trip Support Casting Assembly  | Distributor Assembly Sheet 1                            | 45    |
| 44        | 090 006 668 | Trip Stop Rod & Support Casting Assy - Includes Items 42, 43, 45, 50 | Distributor Assembly Sheet 1                            | 45    |
| 26        | 090 006 810 | Switch Overlay, Keypad   | Chassis and Mounting Bracket Assembly                   | 65    |
| 20        | 090 007 145 | Pinspotter Wheel Guard   | Guards and Safety Labels                                | 81    |
| 27        | 090 007 145 | Wheel Guard, Reversible  | Pin Elevator & Hoop Assembly                            | 61    |
| 28        | 090 007 241 | Spacer   | Pin Elevator & Hoop Assembly                            | 61    |
| 43        | 090 007 276 | Bracket  | Pbl Light Sensor Assembly                               | 69    |
| 17        | 090 007 310 | Motor, 50 Hz   | Back End Drive Motor & Bracket Assembly                 | 63    |
| 29        | 090 007 327 | Pin Elevator Roller  | Pin Elevator & Hoop Assembly                            | 61    |
| 27        | 090 008 017 | Dual Pit Light Assembly 36", 120V, 60Hz                              | Front End Electrical Installation, XL                   | 10    |
|           | 090 008 017 | Dual Pitlight, 36", 110V, 60 Hz                                      | Dual Pit Light XL                                       | 12    |
| 3         | 090 008 020 | Infrared Pin Deck Lamp Assy  | Dual Pit Light XLi                                      | 13    |
| 4         | 090 008 020 | Infrared Pin Deck Assy Board, Pitlight                               | Dual Pit Light XL                                       | 12    |
| 28        | 090 008 032 | Dual Pit Light Assembly 36", 240V, 60Hz                              | Front End Electrical Installation, XL                   | 10    |
|           | 090 008 032 | Dual Pitlight, 36" 220V, 60 Hz                                       | Dual Pit Light XL                                       | 12    |
| 29        | 090 008 034 | Dual Pit Light Assembly 36", 120V, 50Hz                              | Front End Electrical Installation, XL                   | 10    |
|           | 090 008 034 | Dual Pitlight, 36", 110V, 50 Hz                                      | Dual Pit Light XL                                       | 12    |
| 30        | 090 008 065 | Dual Pit Light Assembly 36", 240V, 50Hz                              | Front End Electrical Installation, XL                   | 10    |
|           | 090 008 065 | Dual Pitlight, 36", 220V, 50 Hz                                      | Dual Pit Light XL                                       | 12    |
| 8         | 090 008 095 | Control Board Assy, Pitlight   | Dual Pit Light XL                                       | 12    |
| 24        | 090 008 939 | XL Chassis Circuit Breaker   | Chassis and Mounting Bracket Assembly                   | 65    |
| 53        | 146 005 277 | Washer, Countersunk, 9/32 X 7/8 X 1/8                                | Pbl Positive Ball Lift Assembly                         | 71    |
| 5         | 190 001 490 | Ball Bearing, .875 X 1.875 X .5                                      | X Frame To Table Connections                            | 36    |
| 27        | 190 001 490 | Ball Bearing, .875 X 1.875 X .5                                      | Yoke & Spotting Cup Assembly                            | 37    |
| 29        | 250 001 046 | Grommet, Large   | Front End Frame & Platform Assembly, Right Hand Machine | 7     |
| 29        | 250 001 046 | Grommet, Large   | Front End Frame & Platform Assembly - Even Machine      | 9     |
| 21        | 250 001 544 | Outlet Cover Spacers   | Front End Drive   | 14    |
| Not Shown | 294 002 252 | Power Supply Fuse, 2A, 250V  | Chassis and Mounting Bracket Assembly                   | 65    |
| Not Shown | 294 002 252 | Power Supply Fuse, 2A, 250V  | Chassis and Mounting Bracket Assembly                   | 65    |
| 5         | 300 000 166 | Insert Sweep Logo - Black Letters, White Background                  | Sweep Bar Mounting Assembly                             | 21    |

| ITEM#     | PART#            | DESCRIPTION  | ASSEMBLY  | PAGE# |
|-----------|------------------|--|---|-------|
| 6         | 300 000 175      | Cap- Sweep Bar   | Sweep Bar Mounting Assembly                             | 21    |
| 7         | 300 000 182      | Sweep Bar and Cap Assembly   | Sweep Bar Mounting Assembly                             | 21    |
| Not Shown | 400 088 009      | XLi Chassis Manual   | Chassis and Mounting Bracket Assembly                   | 65    |
| Not Shown | 400 090 005      | XL Chassis Manual  | Chassis and Mounting Bracket Assembly                   | 65    |
| Not Shown | 610 009 040      | XL Chassis Manual  | Chassis and Mounting Bracket Assembly                   | 65    |
|           | 610 049 510      | Gripper Pbl Kit  | Gripper Kit   | 77    |
| 8         | 610 700 150      | Sweep Assembly - Contains Complete Kit For Two Lanes - Not Shown   | Sweep Bar Mounting Assembly                             | 21    |
| 54        | 610 900 708      | D-Bore Shaft & Bearing Kit, Lower<br>Includes D-Bore Shaft, 2 Bearings, 2 Spacers, and Installation Instructions Pbl Positive Ball Lift Assembly |   | 71    |
| 55        | 610 900 709      | Straight Shaft and Spacer Kit - Lower<br>Includes 2 Bearings, Shaft, Spacers, and Installation Instructions                                      | Pbl Positive Ball Lift Assembly                         | 71    |
| 56        | 610 900 711      | Straight Shaft and Spacer Kit - Upper<br>Includes 2 Bearings, Shaft, Spacers, and Installation Instructions                                      | Pbl Positive Ball Lift Assembly                         | 71    |
| 57        | 610 900 714      | D-Bore Shaft & Bearing Kit, Upper<br>Includes D-Bore Shaft, 2 Bearings, Spacers, and Installation Instructions                                   | Pbl Positive Ball Lift Assembly                         | 71    |
| 58        | 610 905 704      | Straight Bore Bearing & Spacer Kit<br>Includes Bearing, Spacer, and Installation Instructions  | Pbl Positive Ball Lift Assembly                         | 71    |
| 11        | 612 460 040      | Radaray XL Base and Electronics  | Foul Lights   | 82    |
| 22        | 620 880 001      | Rebuilt XLi Chassis  | Chassis and Mounting Bracket Assembly                   | 65    |
| 23        | 620 880 001 02Ce | Rebuilt XLi Ce Chassis W/O T2  | Chassis and Mounting Bracket Assembly                   | 65    |
| 27        | 620 905 700      | Rebuilt Chassis, 115V  | Chassis and Mounting Bracket Assembly                   | 65    |
| 28        | 620 905 769      | Rebuilt Chassis, 220V, Ce  | Chassis and Mounting Bracket Assembly                   | 65    |
| 25        | 620 908 965Cr    | Rebuilt XL Pinspotter Chassis  | Chassis and Mounting Bracket Assembly                   | 65    |
| Not Shown | 700 107 146      | Adhesive, Loctite T1242 (Not Shown) - Apply On Item 61   | Pbl Positive Ball Lift Assembly                         | 71    |
| Not Shown | 700 107 170      | Loctite #601 (Not Shown) - Apply On Item 35  | Pbl Positive Ball Lift Assembly                         | 71    |
| 28        | 701 310 036BG    | Thrust Bearing, Bag of 10  | Yoke & Spotting Cup Assembly                            | 37    |
| 9         | 701 316 041BG    | Thrust Bearing, .51 X 1 X 1/16, Bag of 10  | Pbl Belt Tightener Assembly                             | 72    |
| 33        | 701 316 041BG    | Thrust Bearing Oilite, Bag of 10   | Table Assembly - Aluminum                               | 23    |
| 11        | 701 320 045BG    | Thrust Washer, Bag of 10   | Pbl Belt Tensioner Assembly (Old Style)                 | 74    |
| 39        | 701 329 050BG    | Thrust Bearing, .8905 X 1.5 X 1/8, Bag of 10   | Steel Bin Assembly                                      | 39    |
| 22        | 701 420 034      | Bearing, 1 1/4 Bore, 3 Bolt Flange   | Front End Drive   | 14    |
| 52        | 701 710 098      | Bearing, Uniball   | Distributor Assembly Sheet 2                            | 47    |
| 45        | 701 712 097      | Bearing, .375 Bore   | Distributor Assembly Sheet 1                            | 45    |
| 53        | 701 849 124      | Ball Bearing, 1/4" - 20 Threaded Bore  | Distributor Assembly Sheet 2                            | 47    |
| 38        | 709 013 059      | Screwbolt, Hex, 8 Mm X 75 Mm   | Kickback Plate Assembly Opposite Ball Exit Side         | 55    |
| 40        | 709 013 063      | Screw, Hex, M6 X 12 Mm   | Steel Bin Assembly                                      | 39    |
| 23        | 710 501 004      | Grease Fitting   | Table To Crossbeam Assembly - Steel                     | 24    |
| 41        | 710 501 007      | Grease Fitting   | Steel Bin Assembly                                      | 39    |
| 59        | 710 501 007      | Grease Fitting   | Pbl Positive Ball Lift Assembly                         | 71    |
| 16        | 710 501 009      | Grease Fitting, Alemite # 3006   | Table Torque Tube Assembly - Aluminum                   | 26    |
| 19        | 710 501 009      | Grease Fitting   | Spot & Respot Linkages                                  | 18    |
| 31        | 710 501 009      | Grease Fitting   | Kickback Plate Assembly - Ball Side Exit                | 53    |
| 34        | 710 501 009      | Alemite Fitting  | Table Assembly - Aluminum                               | 23    |
| 39        | 710 501 009      | Grease Fitting   | Kickback Plate Assembly Opposite Ball Exit Side         | 55    |
| 20        | 710 501 012      | Grease Fitting   | Spot & Respot Linkages                                  | 18    |
| 28        | 710 501 012      | Grease Fitting   | Solenoid Operated Shuttle Assembly                      | 15    |
| 25        | 710 501 013      | Grease Fitting   | Tie Rod Assemblies                                      | 29    |
| 26        | 710 501 014      | Grease Fitting   | Tie Rod Assemblies                                      | 29    |
| 20        | 711 512 040      | Grommet, 3/8X7/8X1/4   | Durabin   | 40    |
| 21        | 711 516 020      | Grommet, 1-1/16X1/2X3/8  | Durabin   | 40    |
| 42        | 711 516 020      | Grommet  | Steel Bin Assembly                                      | 39    |
| 8         | 711 520 012      | Grommet, 5/8 X 7/8 X 1/16  | Chassis and Mounting Bracket Assembly                   | 65    |
| 30        | 711 520 017      | Grommet, Small   | Front End Frame & Platform Assembly, Right Hand Machine | 7     |
| 30        | 711 520 017      | Grommet, Small   | Front End Frame & Platform Assembly - Even Machine      | 9     |
| 9         | 722 501 070      | Spacer   | Distributor Drive Shaft - Later                         | 43    |
| 44        | 722 971 522      | Compression Spring   | Pbl Light Sensor Assembly                               | 69    |
| 45        | 722 985 512      | Compression Spring   | Pbl Light Sensor Assembly                               | 69    |
| 25        | 724 507 002BG    | Tinnerman Nut, Bag of 10   | Table Wireway Assembly - Aluminum & Steel               | 27    |
| 20        | 724 511 074      | U-Nut, 10 - 32   | Front End Electrical Installation, XLi                  | 11    |
| 31        | 724 511 074      | U-Nut, 10 - 32   | Front End Electrical Installation, XL                   | 10    |
| 26        | 730 023 015      | Shell Cup Ass'y  | Table Wireway Assembly - Aluminum & Steel               | 27    |
| 11        | 730 027 019      | Stud, Ball Head  | Table & Respot Links                                    | 31    |
| 19        | 730 027 019      | Stud, Ball Head  | Respot Cell Assembly, Cells 1 Through 6                 | 34    |
| 23        | 730 027 019      | Stud Ball Head   | Respot Cell Assembly                                    | 33    |
| 27        | 730 027 019      | Stud   | Table Wireway Assembly - Aluminum & Steel               | 27    |
| 28        | 730 035 025      | Clip (Brown)   | Table Wireway Assembly - Aluminum & Steel               | 27    |
| 29        | 730 036 025      | Clip (Silver)  | Table Wireway Assembly - Aluminum & Steel               | 27    |
| 4         | 740 501 017      | Ballast, 110-277V, 50/60 Hz  | Dual Pit Light XLi                                      | 13    |
| Not Shown | 743 000 307      | Braking Capacitor, 220V  | Chassis and Mounting Bracket Assembly                   | 65    |
| Not Shown | 743 000 307      | Braking Capacitor, 220V  | Chassis and Mounting Bracket Assembly                   | 65    |
| 29        | 743 513 028      | Breaker, 30A   | Chassis and Mounting Bracket Assembly                   | 65    |
| 9         | 744 107 013      | Nylon Clamp, 1/8"  | Sweep & Table Cam Switch Assembly                       | 19    |
| 22        | 744 107 013      | Clamp, Nylon, 3/16"  | Durabin   | 40    |
| 43        | 744 107 013      | Clamp, Nylon, 1/8"   | Steel Bin Assembly                                      | 39    |
| 24        | 744 203 013      | Cable Clamp  | Table To Crossbeam Assembly - Steel                     | 24    |
| 9         | 748 561 111      | Fuse, 250V, 1A   | Dual Pit Light XL                                       | 12    |
| 9         | 749 537 068      | Washer-Backup 3/6 Pop Rivet  | Sweep Bar Mounting Assembly                             | 21    |







| ITEM#     | PART#         | DESCRIPTION   | ASSEMBLY  | PAGE# |
|-----------|---------------|---|---|-------|
| 27        | 919 000 700BG | Retaining Ring, # 5000-156, Bag of 10                   | Table Torque Tube Assembly - Aluminum                   | 26    |
| 61        | 919 004 200BG | Retaining Ring, 5008-212, Bag of 10                     | Distributor Assembly Sheet 1                            | 45    |
| 27        | 919 005 200BG | Retaining Ring, Bag of 10                               | Pbl Ratchet Drive Assembly                              | 75    |
| 66        | 919 005 200BG | Retaining Ring, Bag of 10                               | Pbl Light Sensor Assembly                               | 69    |
| 76        | 919 005 200BG | Retaining Ring, Bag of 10                               | Pbl Positive Ball Lift Assembly                         | 71    |
| 62        | 919 005 300BG | Retaining Ring, 5100-37, Bag of 10                      | Distributor Assembly Sheet 1                            | 45    |
| 50        | 919 005 400BG | Retaining Ring, Bag of 10                               | Kickback Plate Assembly Opposite Ball Exit Side         | 55    |
| 12        | 919 005 500BG | Retaining Ring, Bag of 10                               | Pbl Belt Tensioner Assembly                             | 73    |
| 67        | 919 005 500BG | Retaining Ring, Bag of 10                               | Pbl Light Sensor Assembly                               | 69    |
| 13        | 919 005 600BG | Retaining Ring, Bag of 10                               | Pbl Belt Tensioner Assembly                             | 73    |
| 16        | 919 005 600BG | Tru-Arc Ring (10 Per Bag)                               | Pbl Belt Tensioner Assembly (Old Style)                 | 74    |
| 28        | 919 005 600BG | Retaining Ring, Bag of 10                               | Pbl Ratchet Drive Assembly                              | 75    |
| 49        | 919 005 600BG | Retaining Ring, Bag of 10                               | Sweep Arm Assembly                                      | 20    |
| 63        | 919 005 600BG | Retaining Ring, 5100-62, Bag of 10                      | Distributor Assembly Sheet 1                            | 45    |
| 71        | 919 005 600BG | Retaining Ring, 5100-62, Bag of 10                      | Distributor Assembly Sheet 2                            | 47    |
| 77        | 919 005 600BG | Retaining Ring, Bag of 10                               | Pbl Positive Ball Lift Assembly                         | 71    |
| 12        | 919 005 800BG | Retaining Ring, Bag of 10                               | Pbl Belt Tightener Assembly                             | 72    |
| 44        | 919 005 800BG | Retaining Ring, Bag of 10                               | Kickback Plate Assembly - Ball Side Exit                | 53    |
| 51        | 919 005 800BG | Retaining Ring, Bag of 10                               | Kickback Plate Assembly Opposite Ball Exit Side         | 55    |
| 78        | 919 005 800BG | Retaining Ring, Bag of 10                               | Pbl Positive Ball Lift Assembly                         | 71    |
| 14        | 919 005 900BG | Retaining Ring, Bag of 10                               | Pbl Belt Tensioner Assembly                             | 73    |
| 72        | 919 006 800BG | Retaining Ring, 5115-37, Bag of 10                      | Distributor Assembly Sheet 2                            | 47    |
| 15        | 922 323 090   | Rivet, Semi-Tubular Rd Hd, .125 X 9/16                  | Sweep & Table Cam Switch Assembly                       | 19    |
| 45        | 937 000 000BG | Drive Rivet (Field Replacement), Bag of 10              | Kickback Plate Assembly - Ball Side Exit                | 53    |
| 52        | 937 000 000BG | Drive Rivet (Field Replacement), Bag of 10              | Kickback Plate Assembly Opposite Ball Exit Side         | 55    |
| 79        | 937 000 000BG | Rivet, Steel, 1/4 X 11/32, Bag of 10                    | Pbl Positive Ball Lift Assembly                         | 71    |
| 53        | 937 710 005   | Aluminum Drive Rivet                                    | Kickback Plate Assembly Opposite Ball Exit Side         | 55    |
| 43        | 938 523 050   | Pop Rivet, 1/8 X .251 X .31                             | Pin Elevator & Hoop Assembly                            | 61    |
| 12        | 938 637 100BG | Rivet-Pop 3/16 Diameter, Aluminum, Bag of 10            | Sweep Bar Mounting Assembly                             | 21    |
| 54        | 941 072 200BG | Washer, Flat, 1.25 X .5 X .083, Bag of 10               | Kickback Plate Assembly Opposite Ball Exit Side         | 55    |
| 42        | 945 091 242   | Washer, 1-1/2 X 1 X .046                                | Cushion, Shock Absorber & Curtain Assemblies            | 59    |
| 28        | 945 867 242BG | Plain Washer, 1.50 X .406 X 0.5, Bag of 10              | Table Torque Tube Assembly - Aluminum                   | 26    |
| 39        | 945 867 242BG | Washer, Flat, .406 X 1-1/2 X .05, Bag of 10             | Table To Crossbeam Assembly - Steel                     | 24    |
| 44        | 945 867 242BG | Washer, 13/32 X 1-1/2, Bag of 10                        | Front End Frame & Platform Assembly, Right Hand Machine | 7     |
| 44        | 945 867 242BG | Washer, 13/32 X 1-1/2, Bag of 10                        | Front End Frame & Platform Assembly - Even Machine      | 9     |
| 40        | 947 271 967   | Washer, Flat, 7/16                                      | Table To Crossbeam Assembly - Steel                     | 24    |
| 29        | 947 356 617   | Washer, 5/16  | Pbl Ratchet Drive Assembly                              | 75    |
| 44        | 947 356 617   | Washer, Flat, 11/32 X 5/16                              | Pin Elevator & Hoop Assembly                            | 61    |
| 45        | 947 367 141   | Washer, 7/8 X 13/32 X 1/8                               | Pin Elevator & Hoop Assembly                            | 61    |
| Not Shown | 948 041 100   | Washer Rubber (Not Shown)                               | Solenoid Operated Shuttle Assembly                      | 15    |
| 13        | 948 631 062   | Washer, #6, Flat  | Foul Lights   | 82    |
| 54        | 948 637 072BG | Washer, Flat, 3/16 X 7/16 X 3/64, Bag of 10             | Solenoid Operated Shuttle Assembly                      | 15    |
| 13        | 948 722 111BG | Washer, Black Oxide, 11/16 O.D. X 11/32 I.D., Bag of 10 | Sweep Bar Mounting Assembly                             | 21    |
| 64        | 948 745 082BG | Washer, 7/32 X 1/2 X 1/16, Bag of 10                    | Distributor Assembly Sheet 1                            | 45    |
| 16        | 948 753 101   | Washer, Flat, 1/4, Black                                | Chassis and Mounting Bracket Assembly                   | 65    |
| 13        | 948 753 102BG | Washer, Flat, 9/32 X 5/8 X 1/16, Bag of 10              | Table & Respot Links                                    | 31    |
| 17        | 948 753 102BG | Washer, Flat, 9/32 X 5/8 X 1/16, Bag of 10              | Chassis and Mounting Bracket Assembly                   | 65    |
| 24        | 948 753 102BG | Washer, Flat, 5/8 X 9/32 X 1/16, Bag of 10              | Back End Assembly                                       | 51    |
| 33        | 948 753 102BG | Washer, Flat, .281 X .625 X .06, Bag of 10              | Bounce Plate and Roller Assembly                        | 56    |
| 36        | 948 753 102BG | Washer, A-N Flat, 1/4, Bag of 10                        | Durabin   | 40    |
| 45        | 948 753 102BG | Washer, Flat, 5/8 X 9/32 X 1/16, Bag of 10              | Front End Frame & Platform Assembly, Right Hand Machine | 7     |
| 45        | 948 753 102BG | Washer, Flat, 5/8 X 9/32 X 1/16, Bag of 10              | Front End Frame & Platform Assembly - Even Machine      | 9     |
| 65        | 948 753 102BG | Washer, 5/8 X 9/32 X 1/16, Bag of 10                    | Distributor Assembly Sheet 1                            | 45    |
| 18        | 948 761 112BG | Washer, Flat, 11/32 X 11/16 X 1/16, Bag of 10           | Chassis and Mounting Bracket Assembly                   | 65    |
| 25        | 948 761 112BG | Washer, Flat, 11/16 X 11/32 X 1/16, Bag of 10           | Back End Assembly                                       | 51    |
| 30        | 948 761 112BG | Washer, Flat, 11/32 X 11/16 X 1/16, Bag of 10           | Pbl Ratchet Drive Assembly                              | 75    |
| 32        | 948 761 112BG | Washer, 11/32 X 11/16 X 1/16, Bag of 10                 | Positive Ball Lift (Pbl)                                | 67    |
| 34        | 948 761 112BG | Washer, Flat, .343 X .625 X .06, Bag of 10              | Bounce Plate and Roller Assembly                        | 56    |
| 40        | 948 761 112BG | Washer, Flat, 11/32 X 1-1/16 X 1/16, Bag of 10          | Yoke & Spotting Cup Assembly                            | 37    |
| 43        | 948 761 112BG | Washer, 11/32 X 11/16 X 1/16, Bag of 10                 | Cushion, Shock Absorber & Curtain Assemblies            | 59    |
| 46        | 948 761 112BG | Washer, Flat, 11/16 X 11/32 X 1/16, Bag of 10           | Front End Frame & Platform Assembly, Right Hand Machine | 7     |
| 46        | 948 761 112BG | Washer, Flat, 11/16 X 11/32 X 1/16, Bag of 10           | Front End Frame & Platform Assembly - Even Machine      | 9     |
| 46        | 948 761 112BG | Washer, Flat, 11/16 X 11/32 X 1/16, Bag of 10           | Pin Elevator & Hoop Assembly                            | 61    |
| 66        | 948 761 112BG | Washer, 11/16 X 11/32 X 1/16, Bag of 10                 | Distributor Assembly Sheet 1                            | 45    |
| 68        | 948 761 112BG | Washer, 11/16 X 11/32 X 1/16, Bag of 10                 | Pbl Light Sensor Assembly                               | 69    |
| 80        | 948 761 112BG | Washer, Flat, 11/32 X 11/16 X 1/16, Bag of 10           | Pbl Positive Ball Lift Assembly                         | 71    |
| 25        | 948 767 132BG | Washer, Flat, 13/32 X 13/16 X 1/16, Bag of 10           | Pbl Track Rail Assembly                                 | 77    |
| 26        | 948 767 132BG | Washer, Flat, 13/32 X 13/16 X 1/16, Bag of 10           | Back End Assembly                                       | 51    |
| 29        | 948 767 132BG | Washer, Flat, 13/32 X 13/16 X 1/16, Bag of 10           | Tie Rod Bracket Assembly - Steel                        | 28    |
| 31        | 948 767 132BG | Washer, Flat, 13/32 X 13/16 X 1/16, Bag of 10           | Pbl Ratchet Drive Assembly                              | 75    |
| 33        | 948 767 132BG | Washer, 13/32 X 13/16 X 1/16, Bag of 10                 | Positive Ball Lift (Pbl)                                | 67    |
| 46        | 948 767 132BG | Washer, 13/32 X 13/16 X 1/16, Bag of 10                 | Kickback Plate Assembly - Ball Side Exit                | 53    |
| 47        | 948 767 132BG | Washer, Flat, 13/16 X 13/32 X 1/16, Bag of 10           | Front End Frame & Platform Assembly, Right Hand Machine | 7     |
| 47        | 948 767 132BG | Washer, Flat, 13/16 X 13/32 X 1/16, Bag of 10           | Front End Frame & Platform Assembly - Even Machine      | 9     |
| 47        | 948 767 132BG | Washer, 13/16 X 13/32 X 1/16, Bag of 10                 | Pin Elevator & Hoop Assembly                            | 61    |
| 50        | 948 767 132BG | Washer, 13/32 X 13/16 X 1/16, Bag of 10                 | Sweep Arm Assembly                                      | 20    |
| 55        | 948 767 132BG | Washer, Bag of 10                                       | Kickback Plate Assembly Opposite Ball Exit Side         | 55    |

| ITEM#  | PART#         | DESCRIPTION   | ASSEMBLY  | PAGE# |
|--------|---------------|---|---|-------|
| 69     | 948 767 132BG | Washer, Flat, 13/16 X 13/32 X 1/16, Bag of 10             | Pbl Light Sensor Assembly                               | 69    |
| 48     | 948 809 210   | Washer, Flat, 1-5/16 X 5/8 X .09                          | Pin Elevator & Hoop Assembly                            | 61    |
| 32     | 948 964 142BG | Washer, Flat, .375 X .875 X .094, Bag of 10               | Pbl Ratchet Drive Assembly                              | 75    |
| 13     | 948 975 172BG | Washer, Flat, 1-1/16 X 17/32 X 3/32, Bag of 10            | Pbl Belt Tightener Assembly                             | 72    |
| 23     | 948 975 172BG | Washer, 17/32 X 1-1/16, Bag of 10                         | Respot Cell Assembly, Cells 7 Through 10                | 35    |
| 24     | 948 975 172BG | 17/32 X 1 1/16 Washer, Bag of 10                          | Respot Cell Assembly, Cells 1 Through 6                 | 34    |
| 44     | 948 975 172BG | Washer, Flat, 1-1/16 X 17/32 X 3/32, Bag of 10            | Cushion, Shock Absorber & Curtain Assemblies            | 59    |
| 47     | 948 975 172BG | Washer, Flat, 1-1/4 X 1/2 X 1/16, Bag of 10               | Kickback Plate Assembly - Ball Side Exit                | 53    |
| 30     | 948 983 212BG | Washer, Flat, 21/32 X 1-5/16, Bag of 10                   | Tie Rod Bracket Assembly - Steel                        | 28    |
| 41     | 948 983 212BG | Washer, 21/32 X 1-5/16, Bag of 10                         | Table To Crossbeam Assembly - Steel                     | 24    |
| 81     | 948 983 212BG | Washer, Flat, 1-5/16 X 21/32 X .093, Bag of 10            | Pbl Positive Ball Lift Assembly                         | 71    |
| 29     | 949 100 002BG | Plain Washer, .922 O.D. X .468 I.D. X .06 Thk., Bag of 10 | Table Torque Tube Assembly - Aluminum                   | 26    |
| 36     | 949 100 002BG | Plain Washer, 15/32 I.D. X 59/64 Od X 1/16 Thk, Bag of 10 | Tie Rod Assemblies                                      | 29    |
| 42     | 949 100 002BG | Washer, 59/64 X 15/32 X 1/16, Bag of 10                   | Table To Crossbeam Assembly - Steel                     | 24    |
| 51     | 949 100 002BG | Washer, 59/64 X 15/32, Bag of 10                          | Sweep Arm Assembly                                      | 20    |
| 70     | 949 100 002BG | Washer, Flat, 59/64 X 13/32 X 1/16, Bag of 10             | Pbl Light Sensor Assembly                               | 69    |
| 49     | 950 001 008   | Washer, Nylon, .750 X 1.25 X .08                          | Pin Elevator & Hoop Assembly                            | 61    |
| 14     | 951 032 000   | Washer, #8, Split Lock                                    | Dual Pit Light XLi                                      | 13    |
| 20     | 951 032 000   | Washer, #8, Split Lock                                    | Dual Pit Light XL                                       | 12    |
| 45     | 951 148 002BG | Washer, Split Lock, 1/4, Bag of 10                        | Cushion, Shock Absorber & Curtain Assemblies            | 59    |
| 50     | 951 156 002   | Washer, Split Lock, 5/16                                  | Pin Elevator & Hoop Assembly                            | 61    |
| 26     | 951 164 002BG | Washer, Split Lock, 3/8, Bag of 10                        | Pbl Track Rail Assembly                                 | 77    |
| 27     | 951 164 002BG | Washer, Split Lock, 3/8, Bag of 10                        | Back End Assembly                                       | 51    |
| 28     | 951 164 002BG | Washer, Split Lock, 3/8, Bag of 10                        | Back End Drive Motor & Bracket Assembly                 | 63    |
| 31     | 951 164 002BG | Washer, Split Lock, 3/8, Bag of 10                        | Tie Rod Bracket Assembly - Steel                        | 28    |
| 32     | 951 164 002BG | Washer, Split Lock, 3/8, Bag of 10                        | Spot & Respot Linkages                                  | 18    |
| 36     | 951 164 002BG | Washer, Split Lock, 3/8, Bag of 10                        | Front End Drive   | 14    |
| 46     | 951 164 002BG | Washer, Split Lock, 3/8, Bag of 10                        | Cushion, Shock Absorber & Curtain Assemblies            | 59    |
| 48     | 951 164 002BG | Washer, Split Lock, 3/8, Bag of 10                        | Kickback Plate Assembly - Ball Side Exit                | 53    |
| 56     | 951 164 002BG | Washer, Split Lock, 3/8, Bag of 10                        | Kickback Plate Assembly Opposite Ball Exit Side         | 55    |
| 82     | 951 164 002BG | Washer, Split Lock, 3/8, Bag of 10                        | Pbl Positive Ball Lift Assembly                         | 71    |
| 51     | 951 181 002   | Washer, Split Lock, 5/8                                   | Pin Elevator & Hoop Assembly                            | 61    |
| 62     | 957 100 002BG | Washer, External Tooth, #10, Bag of 10                    | Steel Bin Assembly                                      | 39    |
| 73     | 957 100 002BG | Washer, External Lock, # 10, Bag of 10                    | Distributor Assembly Sheet 2                            | 47    |
| 27     | 958 584 002   | Washer, Lock, 3/8   | Pbl Track Rail Assembly                                 | 77    |
| 16     | 963 200 002BG | X Washer, 1/8, Bag of 10                                  | Sweep & Table Cam Switch Assembly                       | 19    |
| 24     | 963 200 002BG | X Washer, Bag of 10                                       | Respot Cell Assembly, Cells 7 Through 10                | 35    |
| 28     | 963 200 002BG | X-Washer, #9000 - 8, Bag of 10                            | Respot Cell Assembly                                    | 33    |
| 35     | 963 200 002BG | X Washer, Bag of 10                                       | Table Wireway Assembly - Aluminum & Steel               | 27    |
| 52     | 963 200 002BG | X Washer, 9000 8, Bag of 10                               | Table Assembly - Aluminum                               | 23    |
| 55     | 963 200 002BG | X Washer, Bag of 10                                       | Solenoid Operated Shuttle Assembly                      | 15    |
| 9      | 963 400 002BG | X-Washer, 3/16, Bag of 10                                 | Front Actuator & Connector Assemblies                   | 30    |
| 11     | 963 400 002BG | X Washer, 3/16, Bag of 10                                 | Table & Respot Cells                                    | 32    |
| 14     | 963 400 002BG | X-Washer, 3/16, Bag of 10                                 | Table & Respot Links                                    | 31    |
| 29     | 963 400 002BG | X-Washer, #9000 - 12, Bag of 10                           | Respot Cell Assembly                                    | 33    |
| 30     | 963 400 002BG | X-Washer, #9000-12, Bag of 10                             | Table Torque Tube Assembly - Aluminum                   | 26    |
| 48     | 963 400 002BG | X-Washer, Bag of 10                                       | Front End Frame & Platform Assembly, Right Hand Machine | 7     |
| 48     | 963 400 002BG | X-Washer, Bag of 10                                       | Front End Frame & Platform Assembly - Even Machine      | 9     |
| 53     | 963 400 002BG | X Washer, 9000 12, Bag of 10                              | Table Assembly - Aluminum                               | 23    |
| 43, 44 | 963 400 002BG | X-Washer, 3/16, Bag of 10                                 | Table To Crossbeam Assembly - Steel                     | 24    |
| 14     | 963 600 002BG | X-Washer, 1/4, Bag of 10                                  | Pbl Belt Tightener Assembly                             | 72    |
| 29     | 963 600 002BG | X-Washer, Bag of 10                                       | Back End Drive Motor & Bracket Assembly                 | 63    |
| 47     | 963 600 002BG | X-Washer, Bag of 10                                       | Cushion, Shock Absorber & Curtain Assemblies            | 59    |
| 57     | 963 600 002BG | X-Washer, 1/4, Bag of 10                                  | Kickback Plate Assembly Opposite Ball Exit Side         | 55    |
| 63     | Obs See Below | Screw, Hex, M6 X 16 Mm                                    | Steel Bin Assembly                                      | 39    |
| 64     | Obs See Below | Screw, Button Head, M6 X 12 Mm                            | Steel Bin Assembly                                      | 39    |
| 65     | Obs See Below | Screw, Hex, M6 X 100 Mm                                   | Steel Bin Assembly                                      | 39    |



**WORLDWIDE HEADQUARTERS**

8100 AMF Drive - Mechanicsville, VA 23111 - USA - Tel. (804) 569-1000 - Fax: (804) 559-8650 - Toll free 1-866-460-QAMF (7263)

**EUROPEAN HEADQUARTERS**

Via della Croce Coperta, 15 - 40128 Bologna - Italy - Tel. +39 051.4192.611 - Fax +39 051.4192.602

**[www.qubicaamf.com](http://www.qubicaamf.com) - [info@qubicaamf.com](mailto:info@qubicaamf.com)**